

# AV RECEIVER

# RX-V100D

## SERVICE MANUAL

### IMPORTANT NOTICE

This manual has been provided for the use of authorized YAMAHA Retailers and their service personnel. It has been assumed that basic service procedures inherent to the industry, and more specifically YAMAHA Products, are already known and understood by the users, and have therefore not been restated.

**WARNING:** Failure to follow appropriate service and safety procedures when servicing this product may result in personal injury, destruction of expensive components, and failure of the product to perform as specified. For these reasons, we advise all YAMAHA product owners that any service required should be performed by an authorized YAMAHA Retailer or the appointed service representative.

**IMPORTANT:** The presentation or sale of this manual to any individual or firm does not constitute authorization, certification or recognition of any applicable technical capabilities, or establish a principle-agent relationship of any form.

The data provided is believed to be accurate and applicable to the unit(s) indicated on the cover. The research, engineering, and service departments of YAMAHA are continually striving to improve YAMAHA products. Modifications are, therefore, inevitable and specifications are subject to change without notice or obligation to retrofit. Should any discrepancy appear to exist, please contact the distributor's Service Division.

**WARNING:** Static discharges can destroy expensive components. Discharge any static electricity your body may have accumulated by grounding yourself to the ground buss in the unit (heavy gauge black wires connect to this buss).

**IMPORTANT:** Turn the unit OFF during disassembly and part replacement. Recheck all work before you apply power to the unit.

RX-V100D

## ■ CONTENTS

<b>TO SERVICE PERSONNEL .....</b>	<b>2</b>
<b>FRONT PANEL .....</b>	<b>3</b>
<b>REAR PANELS .....</b>	<b>3</b>
<b>REMOTE CONTROL PANEL .....</b>	<b>4</b>
<b>SPECIFICATIONS .....</b>	<b>5~6</b>
<b>ADVANCED SETUP .....</b>	<b>7</b>
<b>INTERNAL VIEW .....</b>	<b>7</b>
<b>DISASSEMBLY PROCEDURES .....</b>	<b>8~11</b>
<b>SELF DIAGNOSIS FUNCTION (DIAG) .....</b>	<b>12~30</b>
<b>AMP ADJUSTMENT .....</b>	<b>31</b>
<b>IC DATA .....</b>	<b>32~35</b>
<b>BLOCK DIAGRAM .....</b>	<b>36~37</b>
<b>DISPLAY DATA .....</b>	<b>38</b>
<b>PRINTED CIRCUIT BOARD .....</b>	<b>39~51</b>
<b>PIN CONNECTION DIAGRAM .....</b>	<b>52</b>
<b>SCHEMATIC DIAGRAM .....</b>	<b>53~60</b>
<b>PARTS LIST .....</b>	<b>61~73</b>
<b>REMOTE CONTROL .....</b>	<b>74</b>

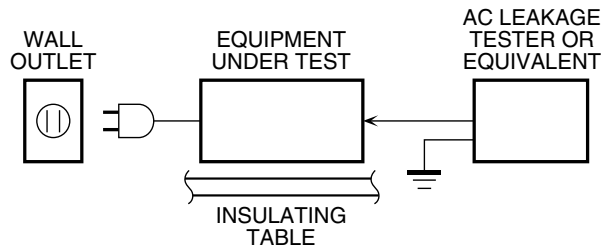


このサービスマニュアルは、エコマーク認定の再生紙を使用しています。  
This Service Manual uses recycled paper.



## ■ TO SERVICE PERSONNEL

1. Critical Components Information  
Components having special characteristics are marked ⚠ and must be replaced with parts having specifications equal to those originally installed.
2. Leakage Current Measurement (For 120V Models Only)  
When service has been completed, it is imperative to verify that all exposed conductive surfaces are properly insulated from supply circuits.
  - Meter impedance should be equivalent to 1500 ohms shunted by 0.15μF.
  - Leakage current must not exceed 0.5mA.
  - Be sure to test for leakage with the AC plug in both polarities.



## WARNING: CHEMICAL CONTENT NOTICE!

The solder used in the production of this product contains LEAD. In addition, other electrical/electronic and/or plastic (where applicable) components may also contain traces of chemicals found by the California Health and Welfare Agency (and possibly other entities) to cause cancer and/or birth defects or other reproductive harm.

DO NOT PLACE SOLDER, ELECTRICAL/ELECTRONIC OR PLASTIC COMPONENTS IN YOUR MOUTH FOR ANY REASON WHATSOEVER!

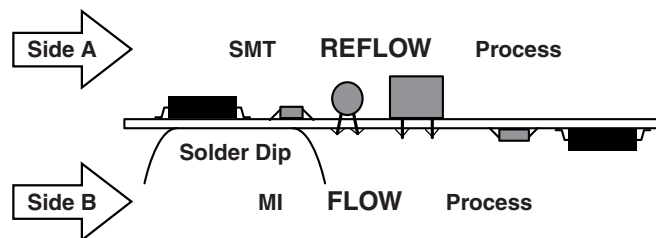
Avoid prolonged, unprotected contact between solder and your skin! When soldering, do not inhale solder fumes or expose eyes to solder/flux vapor!

If you come in contact with solder or components located inside the enclosure of this product, wash your hands before handling food.

## About Lead Free Solder

The P.C.B.s installed in this unit are soldered using the following solder.

	SIDE A	SIDE B
DSP P.C.B.	Lead Solder	Lead Free Solder
FUNCTION P.C.B.	–	Lead Free Solder
OPERATION P.C.B.	–	Lead Free Solder
MAIN P.C.B.	–	Lead Free Solder
POWER P.C.B.	–	Lead Free Solder
SUBTRANS P.C.B.	–	Lead Free Solder
DAB P.C.B.	–	Lead Free Solder



Among some types of lead free solder currently available, it is recommended to use one of the following types for the repair work.

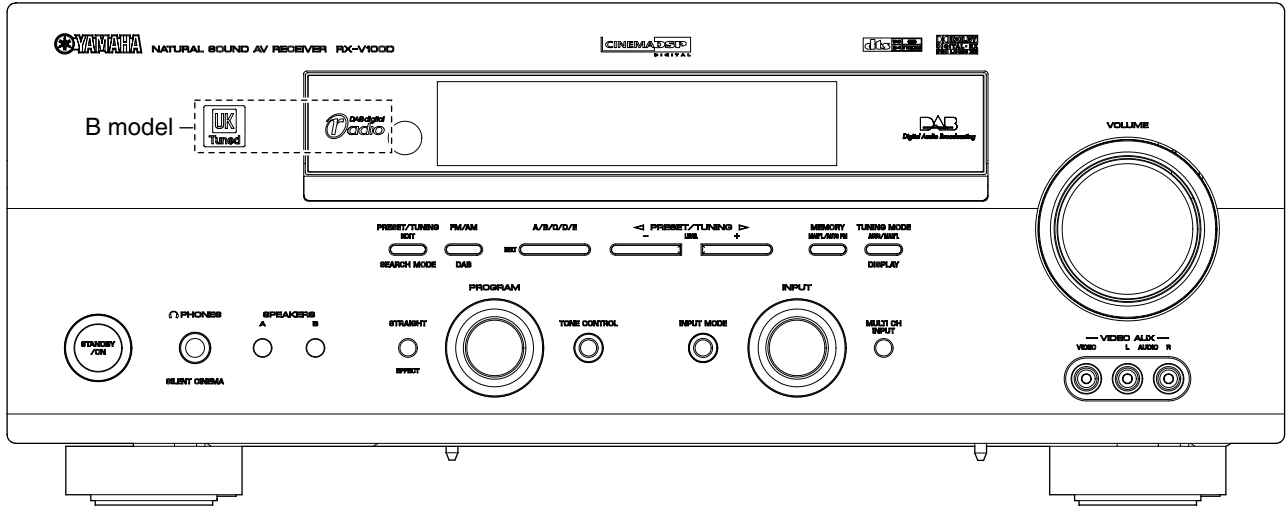
- Sn + Ag + Cu (tin + silver + copper)
- Sn + Cu (tin + copper)
- Sn + Zn + Bi (tin + zinc + bismuth)

### Caution:

1. As the melting point temperature of the lead free solder is about 30°C to 40°C (50°F to 70°F) higher than that of the lead solder, be sure to use a soldering iron suitable to each solder.
2. If lead solder must be used, be sure to remove lead free solder from each terminal section of the parts to be replaced and from the area around it completely before soldering, or make sure that the lead free solder and lead solder melt together fully.

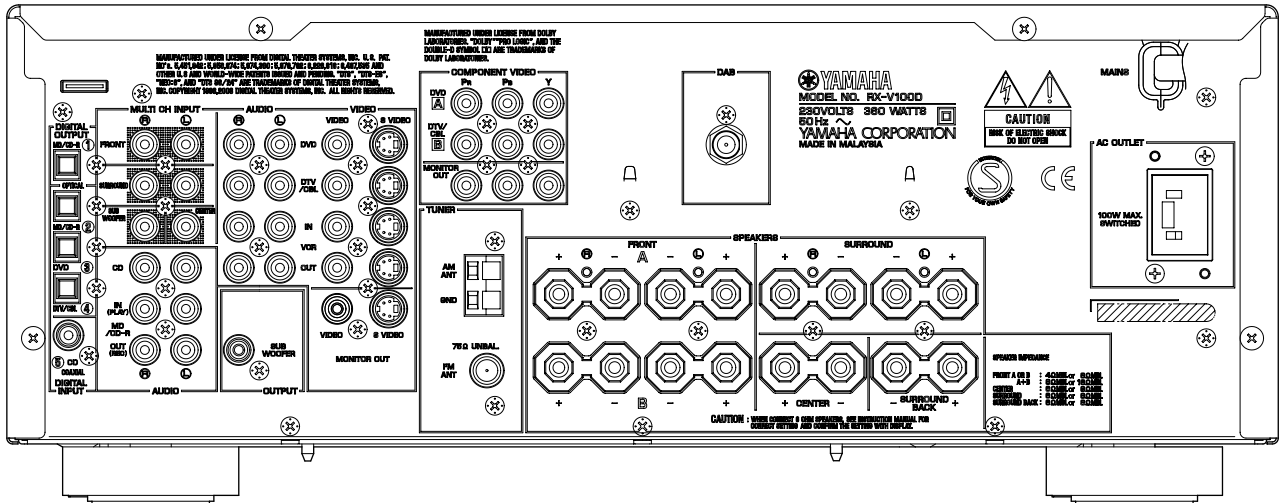
RX-V100D

# FRONT PANEL

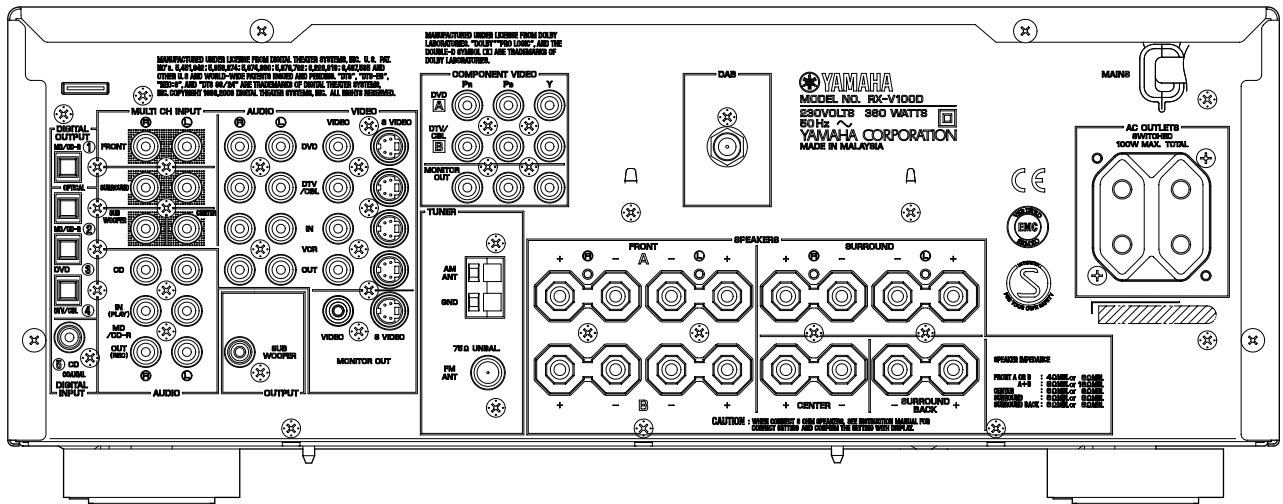


# REAR PANELS

B model



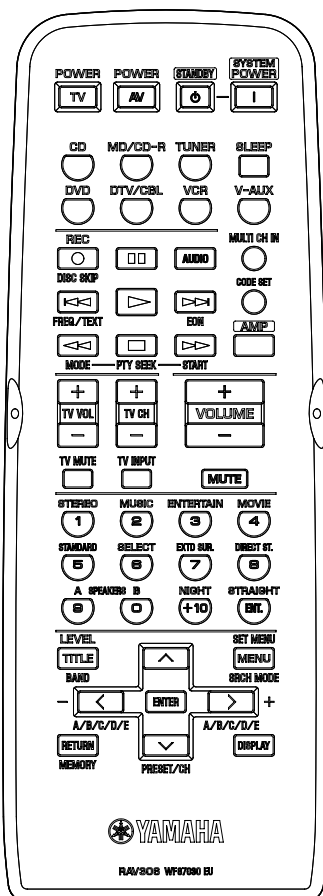
G model



RX-V100D

# REMOTE CONTROL PANEL

RAV306



RX-V100D

## SPECIFICATIONS

### Audio Section

<b>Minimum RMS Output Power (Power Amp. Section)</b> (0.06% THD, 8 ohms)	
FRONT L/R	85 W + 85 W
CENTER	85 W
SURROUND L/R	85 W + 85 W
SURROUND BACK	85 W

<b>DIN Standard Output Power Per Channel</b> (0.7% THD, 4 ohms)	
MAIN L/R	130 W + 130 W
CENTER	130 W
SURROUND L/R	130 W + 130 W
SURROUND BACK	130 W

<b>IEC Power</b> (0.06% THD, 8 ohms)	95 W + 95 W
--------------------------------------	-------------

<b>Dynamic Power Per Channel (IHF)</b>	
FRONT L/R (8 ohms/6 ohms/4 ohms/2 ohms)	115/150/185/230 W

<b>Damping Factor</b>	
FRONT L/R (20 Hz to 20 kHz, SPEAKER-A)	120 or more

<b>Input Sensitivity / Input Impedance</b>	
CD, etc.	200 mV / 47 k-ohms
MULTI CH INPUT	
FRONT L/R, CENTER, SURROUND L/R, SUBWOOFER	200 mV / 47 k-ohms

<b>Maximum Input Signal</b> (1 kHz, 0.5% THD)	
CD, etc. (EFFECT ON)	2.2 V or more

<b>Output Level / Output Impedance</b>	
REC OUT	200 mV / 1.2 k-ohms
SUBWOOFER (2ch Stereo & FRONT SP: SMALL)	
	4.0 V / 1.2 K-ohms

<b>Headphone Jack Rated Output / Impedance</b>	
CD, etc. (1 kHz, 50 mV, 8 ohms)	150 mV / 100 ohms

<b>Frequency Response</b>	
CD, etc. FRONT L/R (10 Hz to 100 kHz)	+0 / -3.0 dB

<b>Total Harmonic Distortion</b> (40 W, 8ohms)	
CD, etc. (2ch Stereo) FRONT L/R SP OUT	0.06% or less

<b>Signal to Noise Ratio</b> (IHF-A network)	
Input shorted SP OUT	
200 mV	98 dB or more
CD, etc. Input shorted SP OUT	
250 mV	100 dB or more

<b>Residual Noise</b> (IHF-A network)	
FRONT L/R SP OUT	150 μV or less

<b>Channel Separation</b> (Input 5.1 k-ohms shorted, 1 kHz/10 kHz)	
CD, etc.	60 dB or more / 45 dB or more

<b>Tone Control Characteristics</b>	
Bass	
Boost/Cut	±10 dB 60 Hz
Treble	
Boost/Cut	±10 dB 20 kHz

<b>Filter Characteristics</b>	
FRONT, CENTER, SURROUND, SURROUND BACK SMALL	
H.P.F.	fc=40/60/80/90/100/110/120/160/200 Hz, 12 dB oct.
SUBWOOFER	
L.P.F.	fc=40/60/80/90/100/110/120/160/200 Hz, 24 dB oct.

### Video Section

<b>Video Signal Type</b>	PAL
--------------------------	-----

<b>Composite Video Signal Level</b>	1 Vp-p / 75 ohms
-------------------------------------	------------------

<b>S-Video Signal Level</b>	
Y	1 Vp-p / 75 ohms
C	0.286 Vp-p / 75 ohms

<b>Component Video Signal Level</b>	
Y	1 Vp-p / 75 ohms
Cb/Cr	0.7 Vp-p / 75 ohms

<b>Video Maximum Input Level</b>	1.5 Vp-p or more
----------------------------------	------------------

<b>Video Signal to Noise Ratio</b>	50 dB or more
------------------------------------	---------------

<b>Monitor Out Frequency Response</b>	
Composite Video Signal	5 Hz to 10 MHz, -3 dB
S-Video Signal	5 Hz to 10 MHz, -3 dB
Component Video Signal	5 Hz to 60 MHz, -3 dB

### FM Tuner Section

<b>Tuning Range</b>	87.50 to 108.00 MHz
---------------------	---------------------

<b>50 dB Quieting Sensitivity (IHF)</b>	
Mono	2.0 μV (17.3 dBf)
Stereo	25 μV (39.2 dBf)

<b>Usable Sensitivity (IHF)</b>	1.0 μV (11.2 dBf)
---------------------------------	-------------------

<b>Selectivity</b>	
at 400 kHz	70 dB

<b>Signal to Noise Ratio (IHF)</b>	
Mono	76 dB
Stereo	70 dB

<b>Harmonic Distortion</b> (1 kHz)	
Mono	0.2%
Stereo	0.3%

<b>Stereo Separation</b> (1 kHz)	42 dB
----------------------------------	-------

<b>Frequency Response</b> (20 Hz to 15 kHz)	+0.5 / -2 dB
---	--------------

<b>Antenna Input</b>	75 ohms unbalanced
----------------------	--------------------

### AM Tuner Section

<b>Tuning Range</b>	531 to 1611 kHz
---------------------	-----------------

<b>Usable Sensitivity</b>	300 μV/m
---------------------------	----------

<b>Antenna</b>	Loop Antenna
----------------	--------------

### DAB Section

<b>Tuning Range</b>	
Band 3	174 to 240 MHz
L-Band	1452 to 1492 MHz

<b>Sensitivity</b>	
Band 3	-99 dBm
L-Band	-95 dBm

<b>Selectivity (for adjacement channel)</b>	
Band 3	40 dB
L-Band	40 dB

<b>Signal to Noise Ratio</b>	97 dB
------------------------------	-------

<b>Harmonic Distortion</b>	0.005%
----------------------------	--------

<b>Stereo Separation</b> (1 kHz)	95 dB
----------------------------------	-------

<b>Frequency Response</b> (20 Hz to 20 kHz)	+0.5 / -0.5 dB
---	----------------

<b>Antenna Input</b>	50 ohms unbalanced
----------------------	--------------------

### General

<b>Power Supply</b>	AC 230 V, 50 Hz
---------------------	-----------------

<b>Power Consumption</b>	360 W
--------------------------	-------

<b>Standby Power Consumption (reference data)</b>	0.1 W
---	-------

<b>Maximum Power Consumption</b> (6ch Drive, 10% THD)	700 W
---	-------

<b>AC Outlets</b>	
2 switched outlets	
G model	50 W max. total / 0.2 A max. total
1 switched outlet	
B model	100 W max. total / 0.4 A max. total

<b>Dimensions (W x H x D)</b>	435 x 171 x 420.3 mm (17-1/8" x 6-3/4" x 16-9/16")
-------------------------------	--

<b>Weight</b>	11 kg (24 lbs. 4 oz.)
---------------	-----------------------

<b>Finish</b>	
Black color	B, G models
Titanium color	B, G models

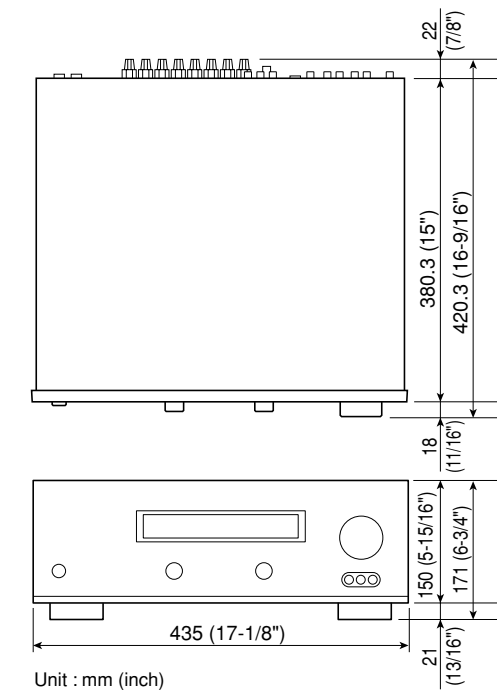
### Accessories

Remote Control x 1, Battery (Manganese Dry) x 2, Indoor FM Antenna x 1, AM Loop Antenna x 1, Indoor DAB Antenna x 1, Antenna Adapter x 1 (B model)

\* Specifications are subject to change without notice due to product improvements.

B ..... British model      G ..... European model

### DIMENSIONS



Manufactured under license from Dolby Laboratories. "Dolby", "Pro Logic", "Surround EX", and the double-D symbol are trademarks of Dolby Laboratories.

SILENT™  
CINEMA

"SILENT CINEMA" is a trademark of YAMAHA CORPORATION.



"DTS", "DTS-ES", "Neo:6" and "DTS 96/24" are trademarks of Digital Theater Systems, Inc.



The "DAB Digital Radio" logo and the stylised "r" mark ® and © Digital One Limited.

• Set Menu Table

CATEGORY	MAIN MENU	SUB MENU	SELECT MENU	VALUE [INITIAL]
• BASIC SETUP			ROOM : S >M L	S / [M] / L
			SUBWOOFER : YES	[YES] / NONE
			SPEAKERS : 6spk	2 / 3 / 4 / 5 / [6]
			>SET CANCEL	[SET] / CANCEL
			CHECK OK? : YES	[YES] / NO
			FR ***** *****	± 10.0 dB step
			C ***** *****	
			SL ***** *****	
			SB ***** *****	
			SR ***** *****	
			SWFR ***** *****	
• MANUAL SETUP	1 SOUND MENU	A ) SPEAKER SET	FRONT : LARGE	SMALL / [LARGE]
			CENTER : SML	
			SUR LR : SML	NONE / [SML] / LRG
			SUR B : SML	
			BASS OUT : BOTH	SWFR / FRONT / [BOTH]
			Cross Over : 80 Hz	40 / 60 / [80] / 90 / 100 / 110 / 120 / 160 / 200 Hz
			SWFR PHASE : NRM	[NRM] / REV
		B ) SP LEVEL	FL ***** *****	-10.0 dB to +10.0 dB [0.0 dB] / 1.0 dB step
			FR ***** *****	
			C ***** *****	
			SL ***** *****	
			SR ***** *****	
			SB ***** *****	
			SWFR ***** *****	
		C ) SP DISTANCE	UNIT : meters	feet / [meters]
			FRONT L 10.0 ft / 3.00 m	feet : 1.0 ft to 80.0 ft [10.0 ft] / 0.5 ft step meters : 0.30 m to 24.00 m [3.00 m] / 0.10 m step
			FRONT R 10.0 ft / 3.00 m	
			CENTER 10.0 ft / 3.00 m	
			SUR. L 10.0 ft / 3.00 m	
			SUR. R 10.0 ft / 3.00 m	
			SUR. B 10.0 ft / 3.00 m	
		SWFR 10.0 ft / 3.00 m		
		D ) CENTER GEQ	TEST : >OFF ON	[OFF] / ON
			100 Hz -  - 0	-6 dB to +6 dB [0 dB] / 1 dB step
			300 Hz -  - 0	
			1 kHz -  - 0	
			3 kHz -  - 0	
		10 kHz -  - 0		
		E ) LFE LEVEL	SP LFE : 0	-20 dB to 0 dB [0 dB] / 1 step
			HP LFE : 0	
		F ) D . RANGE	SP D . R : MAX	MIN / STD / [MAX]
			HP D . R : MAX	
		G ) AUDIO SET	MUTE TYP : MUTE	-20 dB / [MUTE]
A. DELAY : 0 ms	0 ms to 160 ms / 1 step			
TC. BYPASS : AUTO	OFF / [AUTO]			

CATEGORY	MAIN MENU	SUB MENU	SELECT MENU	VALUE [INITIAL]
	2 INPUT MENU	A ) I/O ASSIGN	C . V [A] : DVD	[DVD] / VCR / V-AUX / DTV/CBL
			C . V [B] : DTV/CBL	--- / VCR / V-AUX / [DTV/CBL]
			OUT (1) : MD/CD-R	[MD/CD-R] / CD / VCR / V-AUX / DTV/CBL / DVD
			IN (2) : MD/CD-R	
			IN (3) : DVD	--- / CD / VCR / V-AUX / DTV/CBL / [DVD]
			IN (4) : DTV/CBL	--- / CD / VCR / V-AUX / [DTV/CBL] / DVD
			IN (5) : CD	MD/CD-R / [CD] / VCR / V-AUX / DTV/CBL / DVD
		B ) INPUT MODE	> AUTO / LAST	[AUTO] / LAST
		C ) INPUT RENAME	CD	Input is possible to 8 characters
			MD/CD-R	Input is possible Character type
			TUNER	CAPITAL A to Z
	DVD		SMALL a to z	
	DTV/CBL	FIGURE 0 to 9		
	V-AUX	Space		
	VCR	Symbol # * - + / ; < > ? etc.		
	3 DAB MENU	A ) INIT SCAN	SCAN : FULL	[FULL] / UK_BAND3 / NO
		B ) TUNE AID	5A LEVEL : XX	[5A] ~ LW (DAB Channel Label)
		C ) DRC MENU	DRC MODE : AUTO	[AUTO] / OFF
		D ) PRUNE LIST	OK : [ENTER]	YES / NO
		E ) PRESET DELETE	DELETE : XX	XX (Preset Number)
	4 OPTION MENU	A ) DISPLAY SET	DIMMER : 0	-5 to 0 / 1 step
V CONV. : ON			OFF / [ON]	
B ) MEMORY GUARD		MEM. GUARD : OFF	[OFF] / ON	
C ) PARAM. INI				
D ) MULTI ZONE	SP B : MAIN	[MAIN] / ZONE B		

• DAB FREQUENCY TABLE  
Band 3

Frequency	Channel label
174.928 MHz	5A
176.640 MHz	5B
178.352 MHz	5C
180.064 MHz	5D
181.936 MHz	6A
183.648 MHz	6B
185.360 MHz	6C
187.072 MHz	6D
188.928 MHz	7A
190.640 MHz	7B
192.352 MHz	7C
194.064 MHz	7D
195.936 MHz	8A
197.648 MHz	8B
199.360 MHz	8C
201.072 MHz	8D
202.928 MHz	9A
204.640 MHz	9B
206.352 MHz	9C
208.064 MHz	9D
209.936 MHz	10A
211.648 MHz	10B
213.360 MHz	10C
215.072 MHz	10D

Frequency	Channel label
216.928 MHz	11A
218.640 MHz	11B
220.352 MHz	11C
222.064 MHz	11D
223.936 MHz	12A
225.648 MHz	12B
227.360 MHz	12C
229.072 MHz	12D
230.784 MHz	13A
232.496 MHz	13B
234.208 MHz	13C
235.776 MHz	13D
237.488 MHz	13E
239.200 MHz	13F

L-Band

Frequency	Channel label
1452.960 MHz	LA
1454.672 MHz	LB
1456.384 MHz	LC
1458.096 MHz	LD
1459.808 MHz	LE
1461.520 MHz	LF
1463.232 MHz	LG
1464.944 MHz	LH
1466.656 MHz	LI
1468.368 MHz	LJ
1470.080 MHz	LK
1471.792 MHz	LL
1473.504 MHz	LM
1475.216 MHz	LN
1476.928 MHz	LO
1478.640 MHz	LP
1480.352 MHz	LQ
1482.064 MHz	LR
1483.776 MHz	LS
1485.488 MHz	LT
1487.200 MHz	LU
1488.912 MHz	LV
1490.624 MHz	LW

## ■ ADVANCED SETUP

### • Changing Speaker Impedance

To change the Speaker Impedance, do the following procedure.

- 1 With the main unit in standby mode, hold down "STRAIGHT (EFFECT)" key and press "STANDBY/ON" key.  
Then PRESET is displayed.
- 2 Press "STRAIGHT (EFFECT)" key to select the desired setting.  
8 ohms or 4 ohms
- 3 Press "STANDBY/ON" key.  
The main unit changes to standby mode.

**Note:** The setting you made are reflected the next time this main unit's power is turned on.

### • Resetting the factory presets

To reset all of parameters, do the following procedure. This procedure completely resets ALL parameters, including the SET MENU, level, assign, and tuner presets.

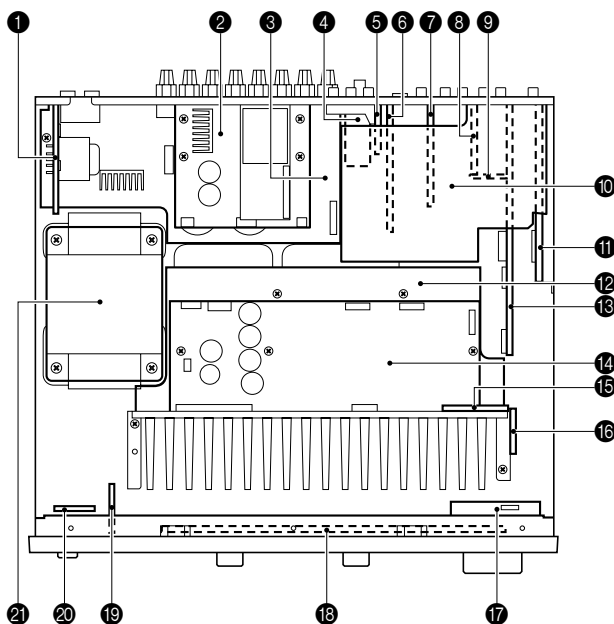
- 1 With the main unit in standby mode, hold down "STRAIGHT (EFFECT)" key and press "STANDBY/ON" key.  
Then PRESET is displayed.
- 2 Turn "PROGRAM" knob to select PRESET.
- 3 Press "STRAIGHT (EFFECT)" key to select the desired setting.

RESET To reset the main unit to its factory presets.  
CANCEL To cancel without making any changes.

- 4 Press "STANDBY/ON" key.  
If you selected RESET, the main unit is reset its factory presets and switches to standby mode.  
If you selected CANCEL, the main unit switches to standby mode and nothing is reset.

**Note:** The setting you made are reflected the next time this main unit's power is turned on.

## ■ INTERNAL VIEW



- ① SUBTRANS (1) P.C.B.
- ② DAB P.C.B.
- ③ MAIN (2) P.C.B.
- ④ Tuner
- ⑤ SUBTRANS (4) P.C.B.
- ⑥ SUBTRANS (3) P.C.B.
- ⑦ SUBTRANS (6) P.C.B.
- ⑧ SUBTRANS (7) P.C.B.
- ⑨ SUBTRANS (9) P.C.B.
- ⑩ SUBTRANS (2) P.C.B.
- ⑪ DSP P.C.B.
- ⑫ MAIN (1) P.C.B.
- ⑬ FUNCTION P.C.B.
- ⑭ POWER (1) P.C.B.
- ⑮ MAIN (5) P.C.B.
- ⑯ POWER (2) P.C.B.
- ⑰ OPERATION (5) P.C.B.
- ⑱ OPERATION (1) P.C.B.
- ⑲ OPERATION (3) P.C.B.
- ⑳ OPERATION (2) P.C.B.
- ㉑ Power Transformer

## ■ DISASSEMBLY PROCEDURES

(Remove parts in the order as numbered.)

Disconnect the power cable from the AC outlet.

### 1. Removal of Top Cover

- Remove 4 screws (①), 4 screws (②) and 1 screws (③). (Fig. 1)
- Slide the Top Cover rearward to remove it. (Fig. 1)

### 2. Removal of Front Panel Unit

- Remove 2 Knobs. (Fig. 1)
- Remove 1 screw (④) and then remove the Support Top. (Fig. 1)
- Remove 6 screws (⑤) and then remove the Front Panel Unit. (Fig. 1)

### 3. Removal of Plate Side

- Remove 2 push rivets (⑥). (Fig. 1)
- Remove the Plate Side L/R. (Fig. 1)

### 4. Removal of Sub Chassis Unit

- Remove 2 screws (⑦) and then slide the Sub Chassis Unit forward. (Fig. 1)
- Loosen the harness fixture fixing the cable.
- Remove CB306, CB309, CB456 and CB863 and then remove the Sub Chassis Unit. (Fig. 1)

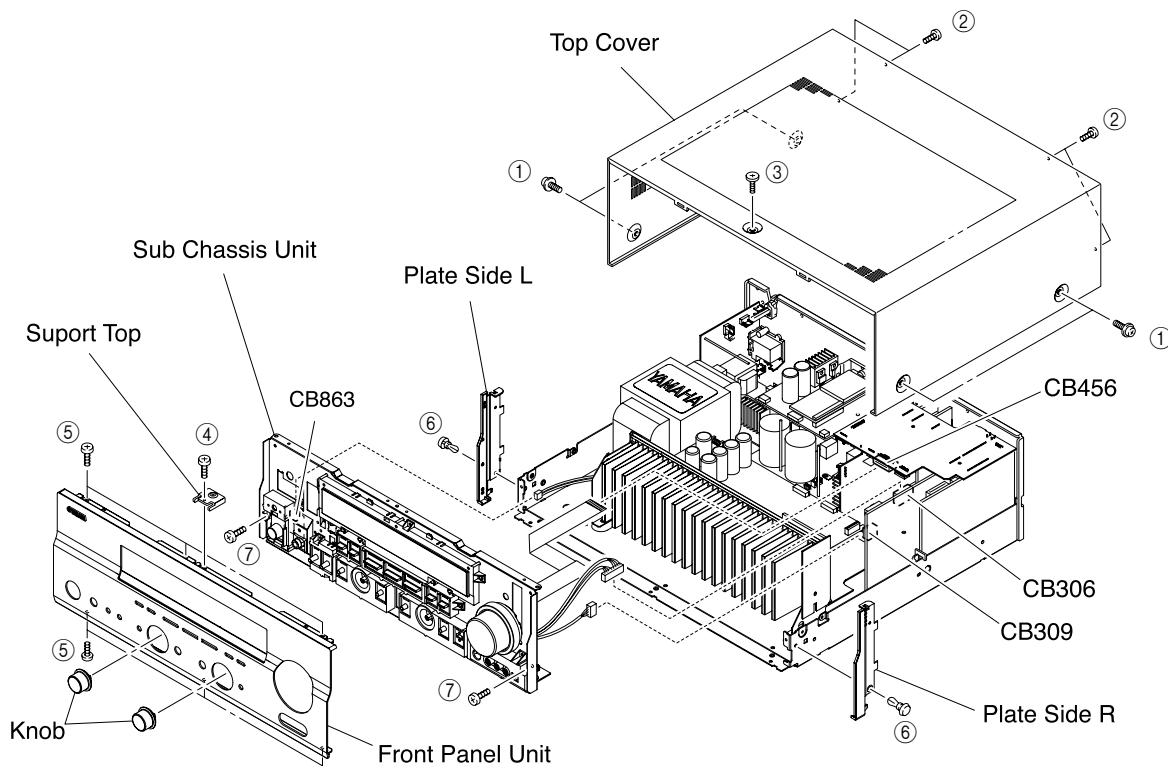


Fig. 1



**5. Removal of DSP P.C.B.**

- a. Remove 1 screw (⑧). (Fig. 2)
- b. Remove 7 screws (⑨). (Fig. 3)
- c. Remove CB2 and CB11. (Fig. 2)
- d. Lift up the SUBTRANS (2) P.C.B. and remove the CB1. (Fig. 2)
- e. Remove the DSP P.C.B. with the Support/DSP. (Fig. 2)

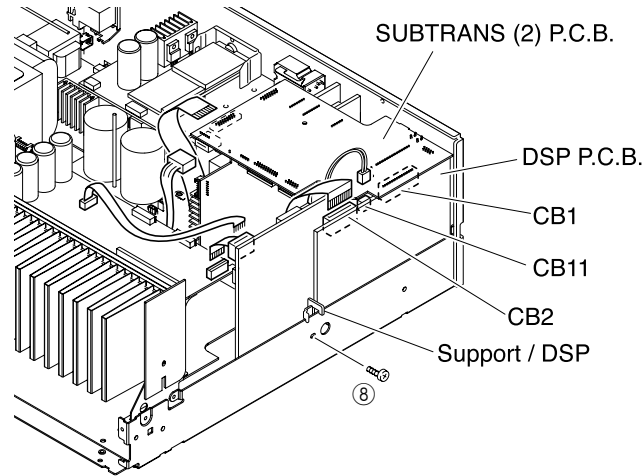


Fig. 2

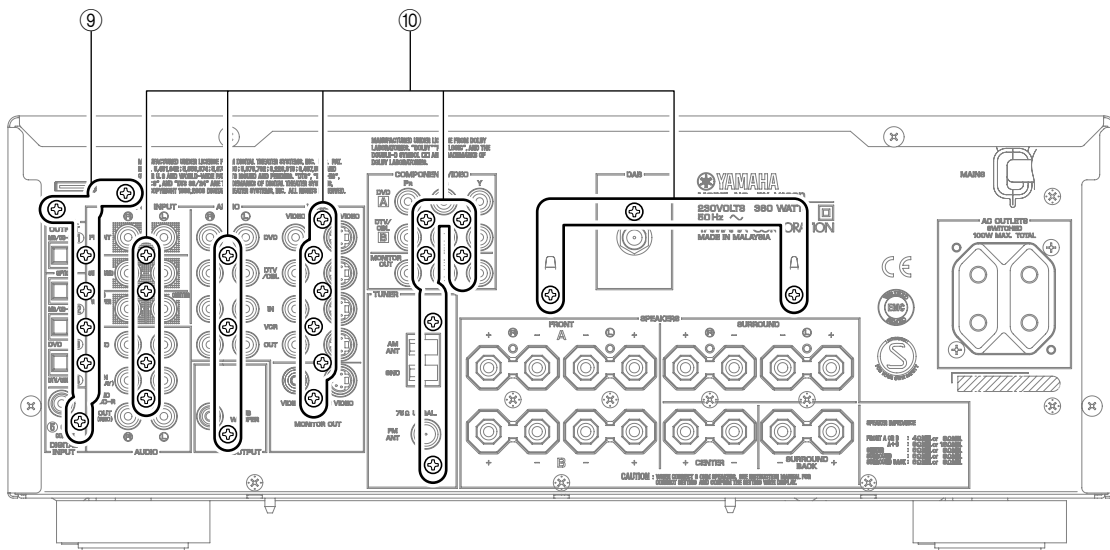


Fig. 3

**6. Removal of FUNCTION, SUBTRANS (2), (3), (6), (7), (9), DAB P.C.B.s and Tuner**

- a. Remove CB4, CB5, CB6, CB307, CB351, CB452 and CB453. (Fig. 4)
- b. Remove 22 screws (10). (Fig. 3)
- c. Remove FUNCTION, SUBTRANS (2), (3), (4), (6), (7), (9), DAB P.C.B.s and the Tuner. (Fig. 4)

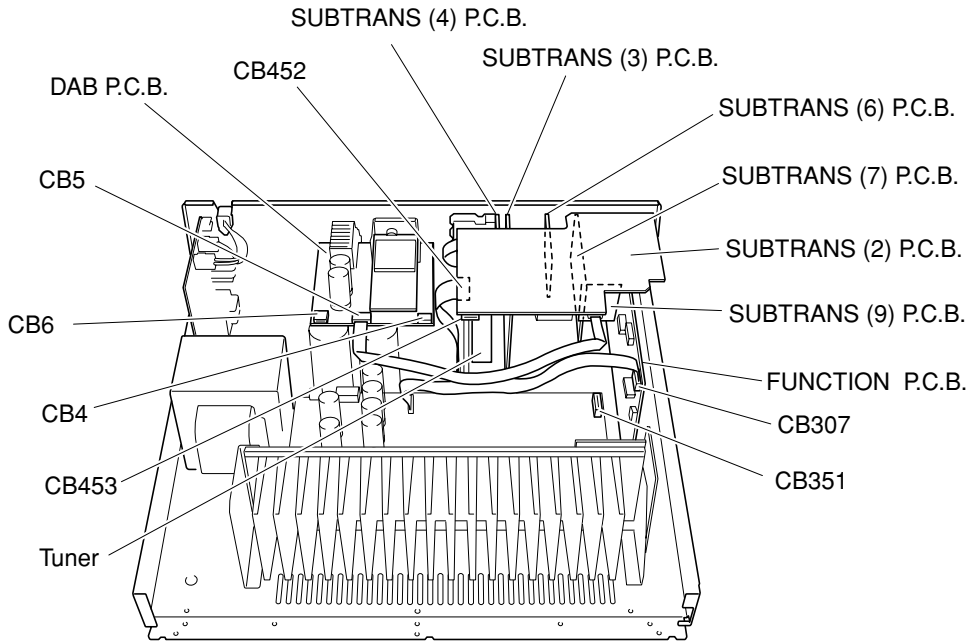


Fig. 4

**7. Removal of MAIN (1), (5) and POWER (1), (2) P.C.B.s**

- a. Remove CB354. (Fig. 5)
- b. Remove 2 screws (11), 1 screws (12) and 2 screws (13). (Fig. 5)
- c. Remove MAIN (1), (5) and POWER (1), (2) P.C.B.s. (Fig. 5)

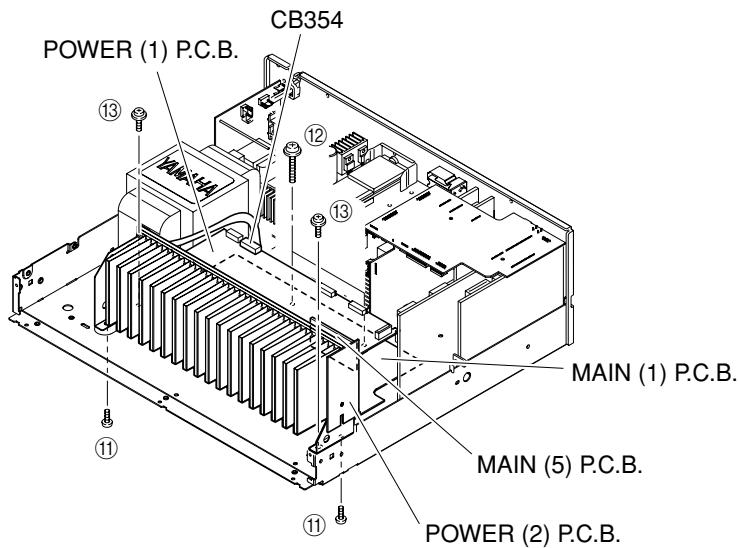
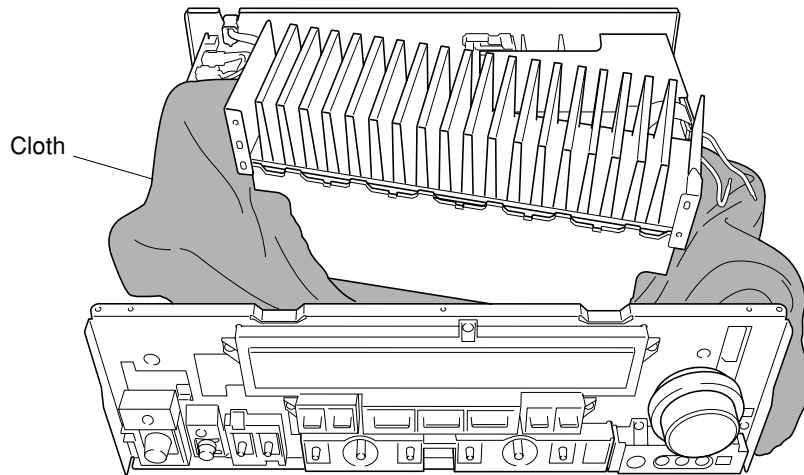


Fig. 5

RX-V100D

**When checking the P.C.B.:**

- Put a Cloth over the equipment. Put the MAIN (1), (5), and POWER (1), (2) P.C.B.s together with the heat sink upright on the Cloth and check them. (Fig. 6)
- Reconnect all cables (connectors) that have been disconnected.
- When connecting the flat cable, use care for the polarity.
- The P.C.B. removed from the rear panel does not work because its grounding is loose. Be sure to connect the ground of each P.C.B. to the chassis or GND with a jumper wire or the like.

**Fig. 6**

## ■ SELF DIAGNOSIS FUNCTION (DIAG)

This unit has self diagnosis functions that are intended for inspection, measurement and location of faulty point.

There are 21 DIAG menu items, each of which has sub-menu items.

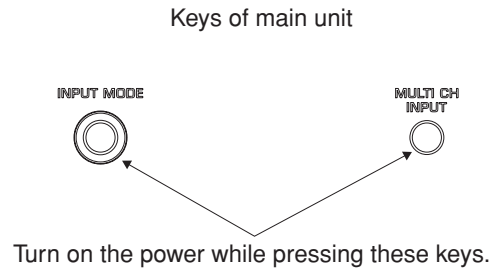
Listed in the table below are menu items and sub-menu items.

No	DIAG menu	sub-menu
1	BYPASS 1.ANALOG BYPAS	1. ANALOG BYPASS 2. DSP BYPASS
2	RAM THROUGH 2.RAM MARGIN	1. RAM MARGIN 2. RAM FULL BIT
3	PRO LOGIC 3.PRO LOGIC	1. PRO LOGIC
4	SPEAKERS SET 4.FRNT:SML 0dB	1. FRNT: SML 0dB 2. CENTER: NONE 3. LFE/B: FRNT 4. Pres Mix: 5ch 5. FRNT GAIN1 6. FRNT GAIN2 7. SURR B Check
5	Xch-INPUT 5.XCH INPUT_6	1. XCH INPUT_6 2. XCH INPUT_8
6	MIC CHECK 6.MIC CHK --dB	MIC CHK --dB (Not applied to this model)
7	VFD CHECK STRAIGHT 7. VFD CHECK	1. VFD CHECK (Initial display) 2. VFD DISP OFF (All segments OFF) 3. VFD DISP ALL (All segments ON 100%) 4. VFD DIMMER (All segments ON 50%) 5. CHECKED PATTERN (ON in lattice)
8	MANUAL TEST 8.TEST ALL	1. TEST ALL 2. TEST FRNT L 3. TEST CENTER 4. TEST FRNT R 5. TEST SURR R 6. TEST SB R 7. TEST SB L 8. TEST SURR L 9. TEST PRES L 10. TEST PRES R 11. TEST LFE
9	DAB CHECK 9.SCAN xxx%	1. DAB SCAN/SCL 2. DLS 3. SIGNAL QUALITY
10	FACTORY PRESET 10.PRESET INHI	1. PRESET INHI (memory initialization inhibited) 2. PRESET RSRV (memory initialized)
11	AD DATA CHECK DC:008 PS:026	1. DC/PS (protection) 2. THM 3. IMP SW/POWER LIMIT 4. K0/K1 (panel key)
12	V_CONV_STATUS L:11111111	1. LOW BYTE (Not applied to this model) 2. HIGH BYTE (Not applied to this model)
13	XM STATUS 13.XMS1xxxxxxx	1. XMS1 (Not applied to this model) 2. XMS2 (Not applied to this model)

No	DIAG menu	sub-menu
14	IF STATUS <span style="border: 1px solid black; padding: 2px;">DST:440308C000</span>	1. DST 2. DMD 3. DIF 4. PC 5. CS1 6. CS2 7. DEI 8. BS1 9. BS2 10. BS3 11. BS4 12. BS5 13. BS6 14. BS7 15. BS8 16. MTT 17. DGI
15	DSP BUS CHECK <span style="border: 1px solid black; padding: 2px;">TI BUS:NoEr</span>	1. TI BUS
16	SWFR CUT OFF <span style="border: 1px solid black; padding: 2px;">16.LFE LPF 40</span>	1. LFE LPF 2. LFE HPF
17	PROTECTION SETTING  Not applied to this model	1. PS L 2. PS H 3. DC L 4. DC H 5. TEMP 6. PL_8_M_L 7. PL_8_M_H 8. PL_8_N_L 9. PL_8_N_H 10. PL_6_M_L 11. PL_6_M_H 12. PL_6_N_L 13. PL_6_N_H
18	PROTECTION HISTORY	1. HISTORY 1 2. HISTORY 2 3. HISTORY 3 4. HISTORY 4
19	SOFT SWITCH <span style="border: 1px solid black; padding: 2px;">19.SW :PCB</span>	1. SW MODE 2. MODEL SETTING 3. DESTINATION 4. TUNER DESTINATION 5. TUNER TYPE 6. VIDEO FORMAT 7. ZONE 2 8. AAC 9. TUNER 10. ZONE 2 AMP 11. OSD 12. YPAO
20	ROM VERSION/ CHECK SUM/PORT <span style="border: 1px solid black; padding: 2px;">VER. XXXXX</span>	1. MAIN VERSION 2. MAIN CHECK SUM ALL/PROGRAM 3. OPE/DSP/XM 4. AAC PORT 5. TI (DSP) VERSION 6. TI (DSP) SUM 7. EEPROM SUM 8. DAB MODULE VERSION
21	DSP WRITTING	1. TI BOOT

### • Starting DIAG

Press the “STANDBY/ON” key while simultaneously pressing those two keys of the main unit as indicated in the figure below.



### • Starting DIAG in the protection cancel mode

If the protection function works and causes hindrance to trouble diagnosis, cancel the protection function as described below, and it will be possible to enter the DIAG mode. (The protection functions other than the excess current detect function will be disabled.)

Press the “STANDBY/ON” key while simultaneously pressing those two keys indicated in the figure above. At this time, keep pressing those two keys for 3 seconds or longer.

In this mode, the “SLEEP” segment of the FL display of the main unit flashes to indicate that the mode is DIAG mode with the protection functions disabled.

#### **CAUTION!**

Using this product with the protection function disabled may cause damage to itself. Use special care for this point when using this mode.

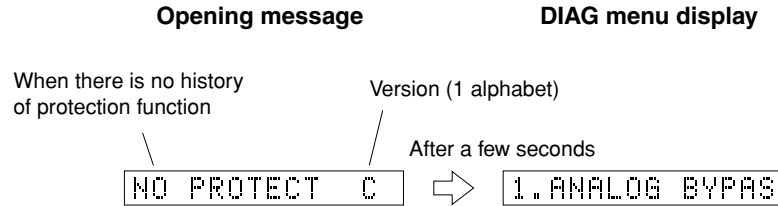
### • Canceling DIAG

- ① Before canceling DIAG, execute setting for FACTORY PRESET of DIAG menu No.10 (Memory initialization inhibited or Memory initialized).
  - \* In order to keep the user memory stored, be sure to select PRESET INHIBITED (Memory initialization inhibited).
- ② Turn off the power by pressing the “STANDBY/ON” key of the main unit.

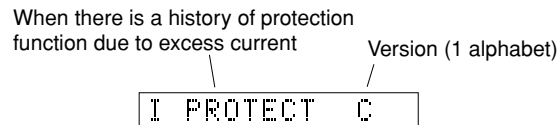
## • Display provided when DIAG started

The FL display of the main unit displays the protection function history data and the version (1 alphabet) and the DIAG menu [sub-menu (ANALOG BYPASS) of DIAG menu No.1 BYPASS] a few seconds later.

**When there is no history of protection function:**



**When there is a history of protection function:**



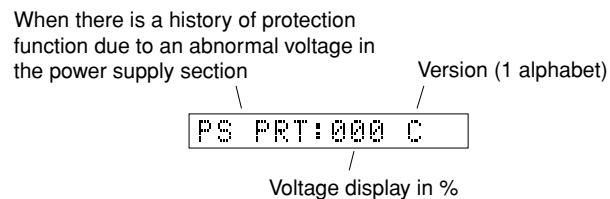
**Cause:** An excessive current flowed through the power amplifier.

**Supplementary information:** As current of the power transistor is detected, the abnormal channel can be identified by checking the current detect transistor.

Turning on the power without correcting the abnormality will cause the protection function to work immediately and the power supply will instantly be shut off.

### Note)

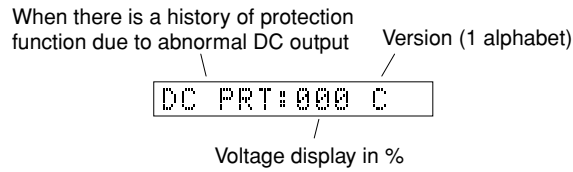
- Applying the power to a unit without correcting the abnormality can be dangerous and cause additional circuit damage.
- The output transistors in each amplifier channel should be checked for damage before applying any power.
- Amplifier current should be monitored by measuring across the emitter resistors for each channel.



**Cause:** The voltage in the power supply section is abnormal.

**Supplementary information:** The abnormal voltage is displayed in % based on 5V as 100%.

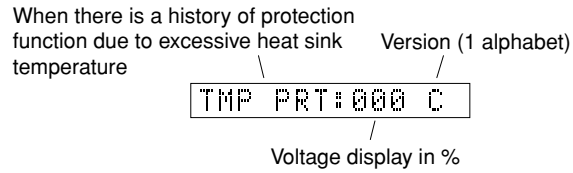
Turning on the power without correcting the abnormality will cause the protection function to work 1 second later and the power supply will be shut off.



**Cause:** DC output of the power amplifier is abnormal.

**Supplementary information:** The abnormal voltage is displayed in % based on 5V as 100%.

Turning on the power without correcting the abnormality will cause the protection function to work 3 seconds later and the power supply will be shut off.



**Cause:** The temperature of the heat sink is excessively high.

**Supplementary information:** The abnormal voltage is displayed in % based on 5V as 500.

Turning on the power without correcting the abnormality will cause the protection function to work 1 second later and the power supply will be shut off.

- \* Additional causes of protection can be due to loose connections, associated components, Microprocessor, etc.
- \* For the protection voltage value, refer to DIAG menu No.11 described later.

**• History of protection function**

When the protection function has worked, its history is stored in memory with a backup. Even if no abnormality is noted while servicing the unit, an abnormality which has occurred previously can be defined as long as the backup data has been stored.

The history of the protection function is cleared when DIAG is cancelled by selecting PRESET RESERVED (Memory initialized) of DIAG menu No.10 or when the backup data is erased.

**• Display during menu operation**

During the DIAG operation, the function at work is indicated on the FL indicator. The contents displayed during the function operation are described in the later section on details of functions.



## • Operation procedure of DIAG menu and SUB-MENU

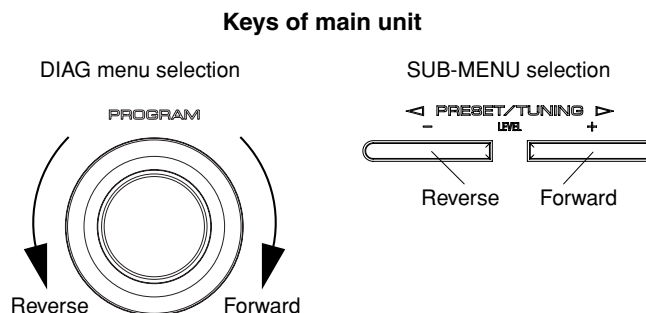
There are 21 MENU items, each of which has some SUB-MENU items.

### DIAG menu selection

Main unit: Select the menu using the PROGRAM knob.

### SUB-MENU selection

Main unit: Select the sub-menu using ▷ (Forward) and ◁ (Reverse) keys of PRESET/TUNING.



## • Functions in DIAG mode

In addition to the DIAG menu items, functions as listed below are available.

- Input selection, 6CH input
- Center/Rear/Rear Center/Sub-woofer level adjustment
- Speaker relay control of A and B
- Muting
- Power on/off
- Master volume

\* Functions related to the tuner and the set menu are not available.

\* It is possible to confirm Menu No.14 IF STATUS while keeping the signal process (operation status) of each DIAG menu by using the INPUT MODE key of the main unit.

## • Initial settings used to start DIAG

The following settings are used when starting DIAG.

When DIAG is canceled, these settings are restored to those before starting DIAG.

- Master volume: -20 dB
- Input: DVD (MULTI CH INPUT OFF)
- Effect level: 0 dB
- Audio mute: OFF
- Speaker relay of A and B: ON
- Speaker setting: LARGE / BASS OUT = SWFR
- DIAG menu: BYPASS (1. ANALOG BYPASS)

• Details of DIAG menu

1. BYPASS

Using the sub-menu, it is possible to select analog bypass output or DSP bypass output.

ANALOG BYPASS

1. ANALOG BYPASS

Reference data

INPUT: DVD ANALOG

SUBWOOFER OUTPUT: 50 Hz, Others: 1 kHz

Input level	Volume	SPEAKERS OUT				SUBWOOFER OUTPUT
		FRONT L/R	CENTER	SURROUND L/R	SURROUND BACK	
Both ch, -20 dBm	+6.0 dB	+13.0 dBm	- ∞	- ∞	- ∞	- ∞

DSP BYPASS

1. DSP BYPASS

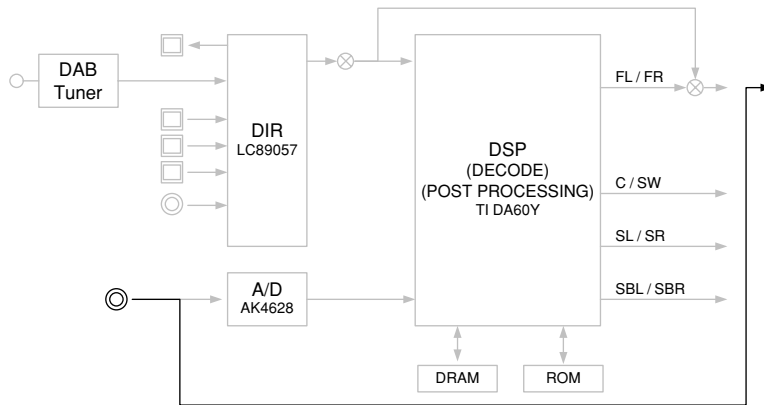
Reference data

INPUT: DVD ANALOG

SUBWOOFER OUTPUT: 50 Hz, Others: 1 kHz

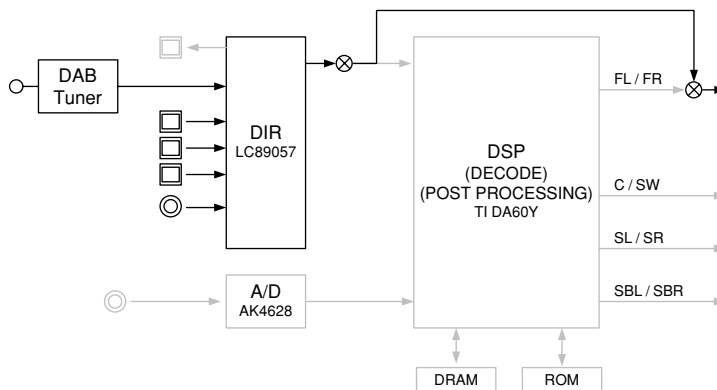
Input level	Volume	SPEAKERS OUT				SUBWOOFER OUTPUT
		FRONT L/R	CENTER	SURROUND L/R	SURROUND BACK	
Both ch, -20 dBm	+6.0 dB	+13.0 dBm	- ∞	- ∞	- ∞	- ∞

ANALOG BYPASS



(Shaded items not used in this example)

DSP BYPASS



(Shaded items not used in this example)

## 2. RAM THROUGH

Using the sub-menu, it is possible to select margin output or full-bit output.

### RAM MARGIN

Following head margin is reserved.

FRONT	CENTER	SURROUND	SURROUND BACK	SUBWOOFER
+15.0 dB	+14.0 dB	+9.0 dB	+8.0 dB	+18.0 dB

### 2. RAM MARGIN

Reference data

INPUT: DVD ANALOG

SUBWOOFER OUTPUT: 50 Hz, Others: 1 kHz

Input level	Volume	SPEAKERS OUT				SUBWOOFER OUTPUT
		FRONT L/R	CENTER	SURROUND L/R	SURROUND BACK	
Both ch, -20 dBm	+6.0 dB	+13.0 dBm	+13.0 dBm	+13.0 dBm	+13.0 dBm	+0.5 dBm

### RAM FULL BIT

No head margin is reserved except SW.

FRONT	CENTER	SURROUND	SURROUND BACK	SUBWOOFER
0 dB	0 dB	0 dB	0 dB	+18 dB

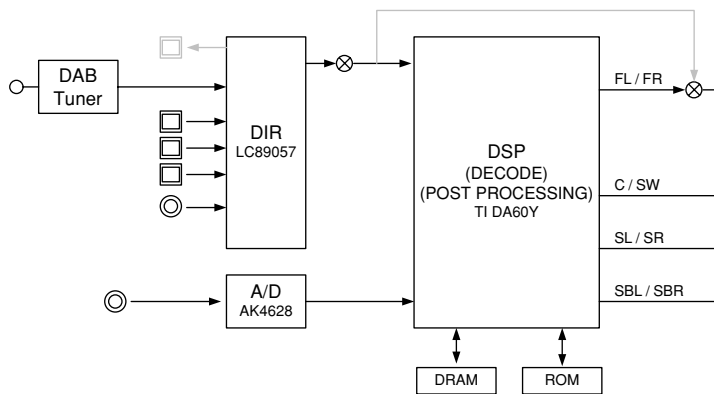
### 2. RAM FULL BIT

Reference data

INPUT: DVD ANALOG

SUBWOOFER OUTPUT: 50 Hz, Others: 1 kHz

Input level	Volume	SPEAKERS OUT				SUBWOOFER OUTPUT
		FRONT L/R	CENTER	SURROUND L/R	SURROUND BACK	
Both ch, -20 dBm	+6.0 dB	+13.0 dBm	+13.0 dBm	+13.0 dBm	+13.0 dBm	+0.5 dBm



(Shaded items not used in this example)

When input source is stereo, signal is assigned as below.

- Front L → Center / Surround L / Surround Back L, R / Presence L
- Front R → Surround R / Presence R
- Front L +10 dB → SWFR

### 3. PRO LOGIC

Dolby PRO LOGIC is applied to input stereo source.

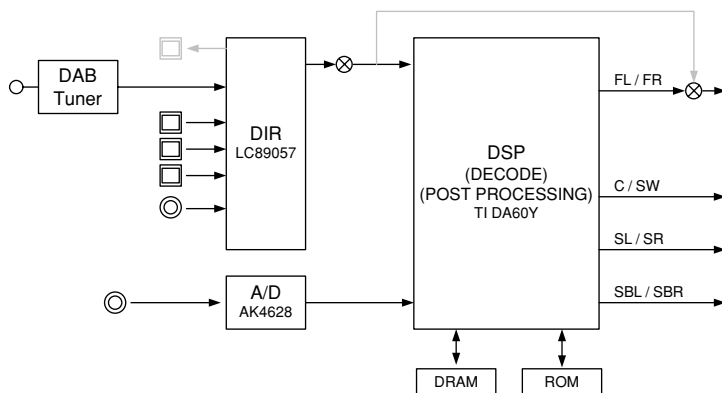
3. PRO LOGIC

Reference data

INPUT: DVD ANALOG

SUBWOOFER OUTPUT: 50 Hz, Others: 1 kHz

Input level	Volume	SPEAKERS OUT				SUBWOOFER OUTPUT
		FRONT L/R	CENTER	SURROUND L/R	SURROUND BACK	
Each ch, -20 dBm	+6.0 dB	+13.0 dBm	- ∞	- ∞	- ∞	- ∞
Both ch, -20 dBm	+6.0 dB	- ∞	+13.0 dBm	- ∞	- ∞	- ∞



(Shaded items not used in this example)

#### 4. SPEAKERS SET

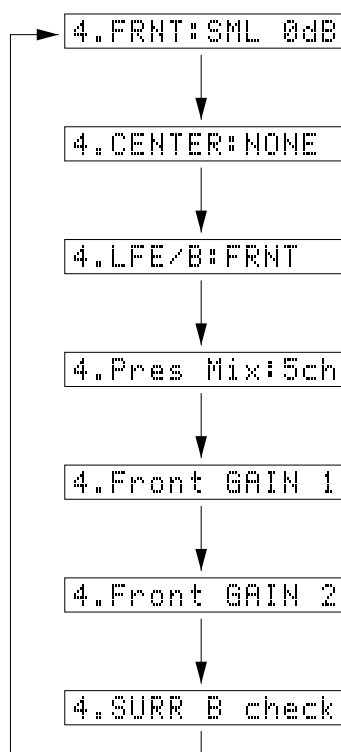
The analog switch settings for each sub-menu are as shown in the table below.

Sub-menu		FRONT	CENTER	SUR.	SUR.B	LFE
1	FRNT: SML 0 dB	SMALL	LARGE	LARGE	LARGE	SWFR
2	CENTER: NONE	LARGE	NONE	LARGE	LARGE	SWFR
3	LFE/B: FRNT	LARGE	SMALL	SMALL	SMALL	FRONT
4	Pre Mix: 5ch	-	-	-	-	-
5	Front GAIN 1	-	-	-	-	-
6	Front GAIN 2	-	-	-	-	-
7	SURR B Check	LARGE	LARGE	LARGE	LARGE	SWFR

**LARGE:** This mode is used with a speaker with high bass reproduction performance (a large unit). Full bandwidth signals are output.

**SMALL:** This mode is used with a speaker with low bass reproduction performance (a small unit). The signals of 80 Hz or less are mixed into the channel specified by LFE/BASS.

**NONE:** This mode is used with no center speaker. The center content is reduced by 3 dB and distributed to FRONT L/R.



Reference data

INPUT: DVD ANALOG (Both ch)

SUBWOOFER OUTPUT: 50 Hz, Others: 1 kHz

	Sub-menu	Input level	Volume	SPEAKER OUT				SUBWOOFER OUTPUT
				FRONT	CENTER	SURROUND	SURROUND BACK	
1	FRONT: SML 0dB	Both ch, -20 dBm	+6.0 dB	+13.0 dBm	+13.0 dBm	+13.0 dBm	+13.0 dBm	+3.5 dBm
2	CENTER: NONE	Both ch, -20 dBm	+6.0 dB	+10.0 dBm	- ∞	+13.0 dBm	+13.0 dBm	+0.5 dBm
3	LFE/B: FRNT (1 kHz)	Both ch, -20 dBm	+6.0 dB	- ∞	+13.0 dBm	+13.0 dBm	+13.0 dBm	- ∞
	LFE/B: FRNT (50 Hz)	Both ch, -20 dBm	+6.0 dB	+25.0 dBm	+3.5 dBm	+3.5 dBm	+3.5 dBm	- ∞
4	Pres Mix: 5ch	Both ch, -20 dBm	+6.0 dB	- ∞	+13.0 dBm	+17.5 dBm	+13.0 dBm	-0.5 dBm
5	Front Gain 1	Both ch, -20 dBm	+6.0 dB	+20.0 dBm	+13.0 dBm	+13.0 dBm	+13.0 dBm	-0.5 dBm
6	Front Gain 2	Both ch, -20 dBm	+6.0 dB	+20.0 dBm	+13.0 dBm	+13.0 dBm	+13.0 dBm	-0.5 dBm
7	SURR B check	Both ch, -20 dBm	+6.0 dB	- ∞	- ∞	- ∞	+13.0 dBm	- ∞

**5. Xch-INPUT**

The speaker impedance can be selected.

**XCH INPUT\_6**

5.XCH INPUT\_6

Reference data

INPUT: MULTI CH INPUT

SUBWOOFER OUTPUT: 50 Hz, Others: 1 kHz

Input level	Volume	SPEAKERS OUT				SUBWOOFER OUTPUT
		FRONT L/R	CENTER	SURROUND L/R	SURROUND BACK	
Both ch, -20 dBm	+6.0 dB	+13.0 dBm	+13.0 dBm	+13.0 dBm	- ∞	+10.0 dBm

**XCH INPUT\_8**

5.XCH INPUT\_8

Reference data

INPUT: MULTI CH INPUT

SUBWOOFER OUTPUT: 50 Hz, Others: 1 kHz

Input level	Volume	SPEAKERS OUT				SUBWOOFER OUTPUT
		FRONT L/R	CENTER	SURROUND L/R	SURROUND BACK	
Both ch, -20 dBm	+6.0 dB	+13.0 dBm	+13.0 dBm	+13.0 dBm	- ∞	+10.0 dBm

**6. MIC CHECK**

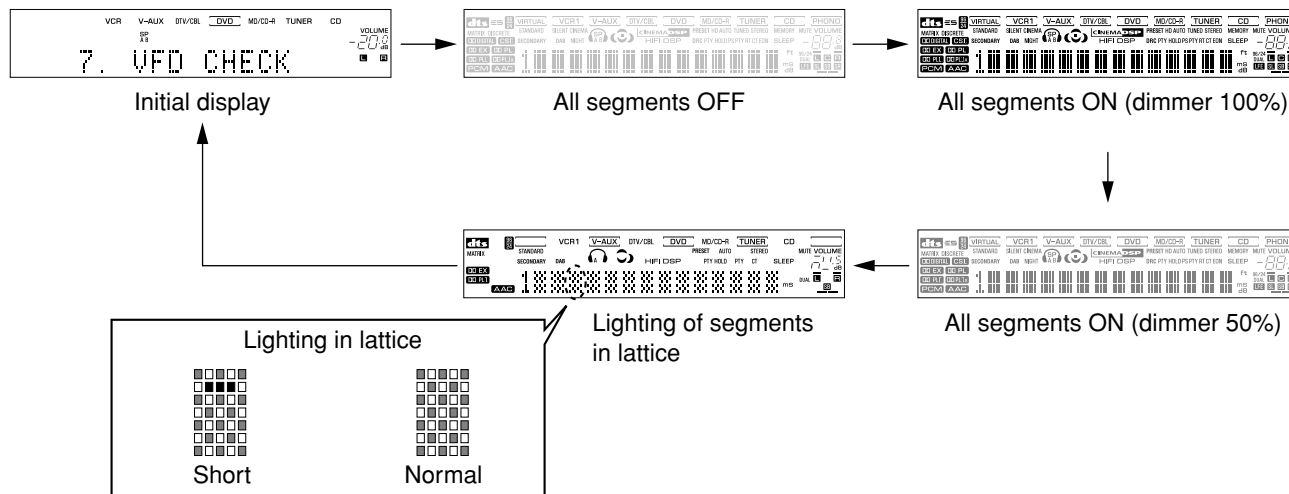
**MIC CHK --dB**

Not applied to this model.

6.MIC CHK --dB

### 7. VFD CHECK

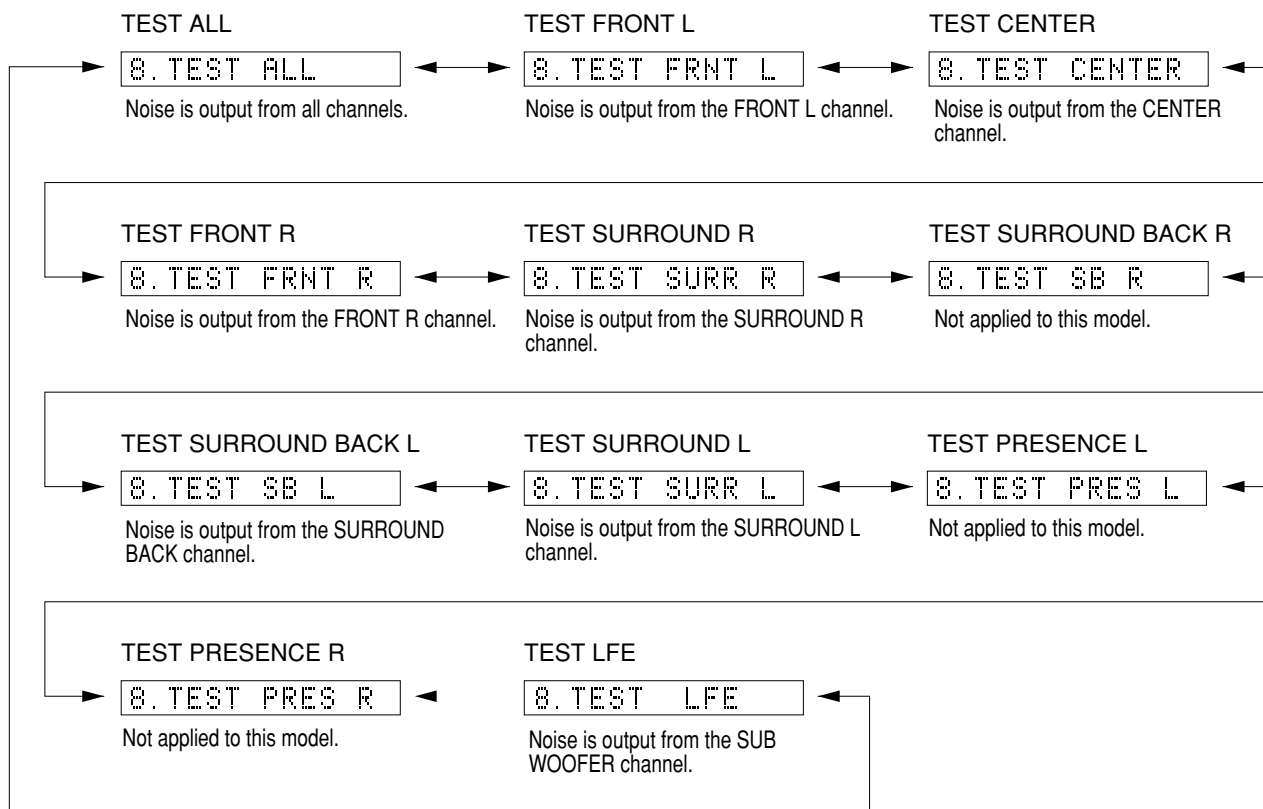
This program is used to check the FL display section. The display condition varies as shown below according to the sub-menu operation. The signals are processed using EFFECT OFF (The L/R signal is output using ANALOG MAIN BYPASS.)



Segment conditions of the FL driver and the FL tube are checked by turning ON and OFF all segments. Next, the operation of the FL driver is checked by using the dimmer control. Then a short between segments next to each other is checked by turning ON and OFF all segments alternately (in lattice). (In the above example, the segments in the second row from the top are shorted.)

### 8. MANUAL TEST

The noise generator circuit built into the DSP outputs the test noise through the channels specified by the sub-menu. The noise frequency for LFE is 35 to 250 Hz. Other than that, the center frequency is 800 Hz



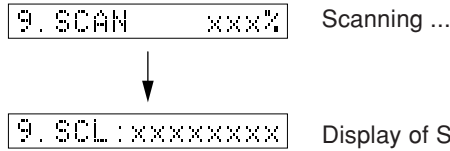
RX-V100D

**9. DAB CHECK**

Using the DIAG menu, it is possible to select DAB SCAN, DLS, SIGNAL QUALITY.

**DAB SCAN**

The channel that can be received is searched. When reception is completed the service label is displayed.



**DLS (Dynamic label Segment)**

DLS (Dynamic Label Segment) of the channel being received is displayed.

9. DLS : xxxxxxxx

**SIGNAL QUALITY**

The reception level of the channel being received is displayed.

9. SIGNAL Q : xxx

**10. FACTORY PRESET**

This menu is used to reserve and inhibit initialization of the back-up RAM. The signals are processed in the same way as EFFECT OFF. (The L/R signal is output using ANALOG MAIN BYPASS.)

10. PRESET INHI

**PRESET INHIBIT** (Initialization inhibited)

RAM initialization is not executed. Select this sub-menu to protect the values set by the user.



10. PRESET RSRV

**PRESET RESERVED** (Initialization reserved)

Initialization of the back-up RAM is reserved. (Actually, initialization is executed the next time that the power is turned on.) Select this sub-menu to reset to the original factory settings or to reset the RAM.

**CAUTION:** Before setting to the PRESET RESERVED for initialization, write down the existing preset memory content of the Tuner in a table as shown below. (This is because initialization will cause the user memory content to be erased.)

Preset group	P1	P2	P3	P4	P5	P6	P7	P8
A								
B								
C								
D								
E								

**• PRESET STATIONS**

STATION		FM FACTORY PRESET DATA (MHz)
PAGE	NO.	
A/C/E	1	87.5
	2	90.1
	3	95.1
	4	98.1
	5	108.0
	6	88.1
	7	106.1
	8	108.0

STATION		AM FACTORY PRESET DATA (kHz)
PAGE	NO.	
B/D	1	630
	2	1080
	3	1440
	4	531
	5	1611
	6	900
	7	1350
	8	1404



## 11. AD DATA CHECK

This menu is used to display the A/D conversion value of the terminals which detect panel keys of the main unit and protection functions in % using the sub-menu. During signal processing, the condition before execution is maintained.

When K0/K1 menu is selected, keys become non-operable due to detection of the values of all keys. However, it is possible to advance to the next sub-menu by turning the VOLUME knob of the main unit. When using this function, note that turning the VOLUME knob more than 2 clicks will cause the volume value to change.

\* The numeric value in the figure is an example for reference.

### DC/PS (protection detection)

DC: DC protection value

Normal value: 1 to 13 (Reference: 5V=100%)

When DC is out of the normal value range, the protection function works to turn off the power.

PS: Power supply voltage protection value

Normal value: 18 to 33 (Reference: 5V=100%)

When PS is out of the normal value range, the protection function works to turn off the power.

```
DC:008 PS:030
```

### THM (temperature detection)

THM: Normal value: 9 to 177 (Reference: 5V=500)

```
THM:100
```

### IMP SW/POWER LIMIT

(Impedance/power limiter detection)

IMP: Not applied to these models.

PL: Power limiter detection value

The voltage value of pin No. 92 of IC451 is displayed, using 5V/256 as standard.

The port (No.3) output is controlled by using the input voltage value of pin No. 92 of IC451.

```
IMP:0 PL:255
```

Not applied to this model.

### K0/K1 (Panel key of main unit)

A/D of the key fails to function properly when the standard value is deviated. In this case, check the constant of partial pressure resistor, solder condition, etc. Refer to table 1.

```
K0:100%K1:100%
```

[Table 1]

Display (%)	K0	K1
0 - 6	-	-
7 - 13	-	-
14 - 21	-	-
22 - 31	-	-
32 - 41	INPUT MODE	MULTI CH INPUT
42 - 53	STRAIGHT	FM/AM
54 - 63	TONE CONTROL	A/B/C/D/E
64 - 72	PRESET/TUNING	PRESET/TUNING ◀
73 - 80	SPEAKER B	PRESET/TUNING ▶
81 - 88	SPEAKER A	MEMORY
89 - 95	-	TUNING MODE
96 - 100	KEY OFF	KEY OFF

**12. V CONV STATUS**

Not applied to this model.

**LOW BYTE DATA**

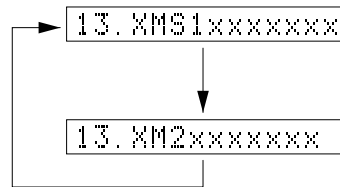
L: 11111111

**HIGH BYTE DATA**

H: 11111111

**13. XM STATUS**

Not applied to this model.

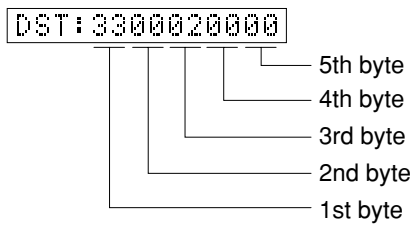


**14. IF STATUS (Input function status)**

Using the sub-menu, the status data is displayed one after another in the hexadecimal notation. During signal processing, the status before execution of this menu is maintained.

\* Numeric values in the figure example are for reference.

**DST:** DSP status



<1st byte> Digital input/output setting value

Upper 4 bits: REC OUT selected /

lower 4 bits: INPUT selected

Value	Choice	Preset name
0	NONE	V-AUX
1	OPT FRONT	-
2	OPT 1	MD/CD-R
3	OPT 2	DVD
4	OPT 3	DTV/CBL
8	COAX 1	CD
9	COAX 2	-

<2nd byte>

Fs information of reproduction signal

Display	Fs (kHz)
00	Analog
01	32 kHz
02	44.1 kHz
03	48 kHz
04	64 kHz
05	88.2 kHz
06	96 kHz
07	128 kHz
08	176.4 kHz
09	192 kHz
0A	Unknown NRM
0B	Unknown DBL
0C	Unknown QUAD
0D	Unknown
0E	Undefined

<3rd byte>

Audio code mode information of reproduction signal

Display	Audio code
00	1+1
01	1/0
02	2/0
03	3/0
04	2/1
05	3/1
06	2/2
07	3/2
08	2/3
09	3/3
0A	3/4
0B	Over 6.1
0C	Milti-Mono
0D	Milti-PCE
0E	Unknown
0F	Undefined

<4th byte>

Format information of reproduction signal

Display	Signal format
00	Analog
01	Err
10	PCM Audio
20	Digital Data
21	IEC61937
22	None PCM
23	Unknown
50	dts
51	dts-CD
52	dts 96/24
54	dts-ES (Matrix)
58	dts-ES (Discrete)
5C	dts-ES (Both)
60	AAC
C0	Dolby Digital
C1	Dolby Digital Karaoke
C4	Dolby Digital EX
FF	Undefined

<5th byte>

Signal processing status information

bit	Information
bit 7	Digital mute
bit 6	—
bit 5	6.1 (7.1) processing
bit 4	Analog mute
bit 3	—
bit 2	PCM through
bit 1	—
bit 0	dts analog mute

**DMD:** Decoder mode information

Not applied to this model.

DMD: 03C00000

**DIF:** DIR information

Not applied to this model.

DIF: 1401000600

**PC:** Preamble C information

Not applied to this model.

PC: 0000

**CS1, 2:** Channel status information

Not applied to this model.

CS1: 0000000000 - - - - - CS2: 00

**DEI:** Decoder information  
Not applied to this model.

```
DEI:0808000600
```

**BS1-8:** Bit stream information  
Not applied to this model.

```
BS1:0000000000 ----- BS8:00
```

**MTT:** Mute Trigger  
Not applied to this model.

```
MTT:0018001820
```

**DGI:** Digital information  
Not applied to this model.

```
DGI:FFFFFFFF
```

**15. DSP BUS CHECK**

This menu is used to self-diagnose whether or not the bus connection for the TI (DA60Y) and the external ROM/RAM is made properly.

When no error is detected, "NoEr" appears on display.

```
TI BUS:NoEr
```

No error detected.

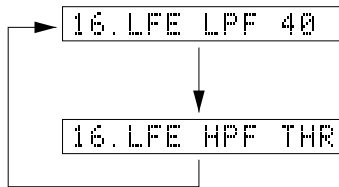
or

```
TI BUS:Boot
```

When this indication is displayed with in seconds or displayed alternately "NoEr" and "Boot", it is highly possible that there are errors.

**16. SWFR CUT OFF**

The cut off frequency setting of LFE.



Low-pass filter setting.

It can be selected 40 Hz to 200 Hz every 10 Hz by the STRAIGHT key.

High-pass filter setting.

It can be selected 40 Hz to 200 Hz every 10 Hz and through by the STRAIGHT key.

**17. PROTECTION SETTING**

Not applied to this model.

**18. PROTECTION HISTORY**

Four protection histories are display.

## 19. SOFT SW

**Note)** Changing the function setting may hinder the proper operation.

This menu is used to switch the function settings on P.C.B. through the software so as to activate the product. The protection function follows the P.C.B. settings. When connected to AC or in the maker preset state, the unit is initialized to the P.C. B. setting. Display of each function after initialization varies depending on settings on P.C.B. The operation mode can be changed by selecting the sub-menu and then using the STRAIGHT key.

**SW MODE:** PCB, MODEL or FNC can be selected.

19. SW : PCB

**MODEL SETTING:** V100D, V757, V657, H5860, V557, V457, H5850 or V357 can be selected.  
(SW MODE: Selectable when MODEL has been selected.)

19. MODEL: V100D

**DESTINATION:** J, U, C, R, T, K, A, B, G (E) or L can be selected.  
(SW MODE: Selectable when MODEL has been selected.)

19. DEST : B

**TUNER DESTINATION:** J, UC, R, ABG or RL can be selected.  
(SW MODE: Selectable when FNC has been selected.)

19. TuDest: ABG

**TUNER TYPE:** NRM, DAB+RDS, DAB, RDS or XM can be selected.  
(SW MODE: Selectable when FNC has been selected.)

19. TuTwp: DABRD

**VIDEO FORMAT:** NTSC or PAL can be selected.  
(SW MODE: Selectable when FNC has been selected.)

19. VIDEO: PAL

**ZONE2:** NOT or EXIST can be selected.  
(SW MODE: Selectable when FNC has been selected.)

19. ZONE2: NOT

**AAC:** NOT or EXIST can be selected.  
(SW MODE: Selectable when FNC has been selected.)

19. AAC : NOT

**TUNER:** NOT or EXIST can be selected.  
(SW MODE: Selectable when FNC has been selected.)

19. TUNER: EXIST

**ZONE2 AMP:** NOT or EXIST can be selected.  
(SW MODE: Selectable when FNC has been selected.)

19. Z2Amp: NOT

**OSD:** NOT or EXIST can be selected.  
(SW MODE: Selectable when FNC has been selected.)

19. OSD : NOT

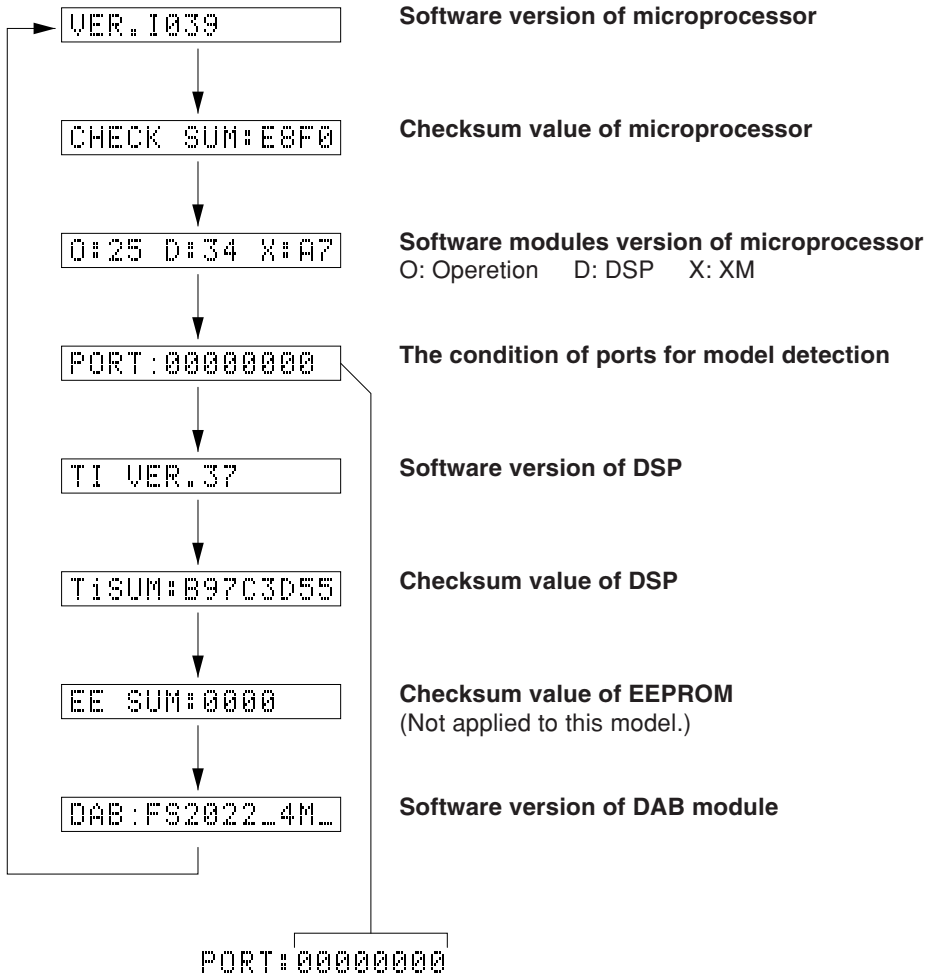
**YPAO:** NOT or EXIST can be selected.  
(SW MODE: Selectable when FNC has been selected.)

19. YPAO : NOT

## 20. SOFTWARE VERSION

The version, checksum and the port specified by the microprocessor are displayed. The signal is processed using EFFECT OFF. The checksum is obtained by adding the data at every 16 bits for each program area and expressing the result as a 4-figure hexadecimal data.

\* Numeric values in the figure example are for reference.



- Model type 0
- Model type 1
- Model type 2
- Model type 3

Type3	Type2	Type1	Type0	Model
-	1	0	0	RX-V557 DSP-AX557
-	1	0	1	HTR-5850
-	1	1	1	RX-V457 HTR-5840 DSP-AX457
-	1	1	0	RX-V100D

## 21. DSP SOFTWARE REWRITE

The rewriting mode of DSP software.  
(Not applied to this model.)

## ■ AMP ADJUSTMENT

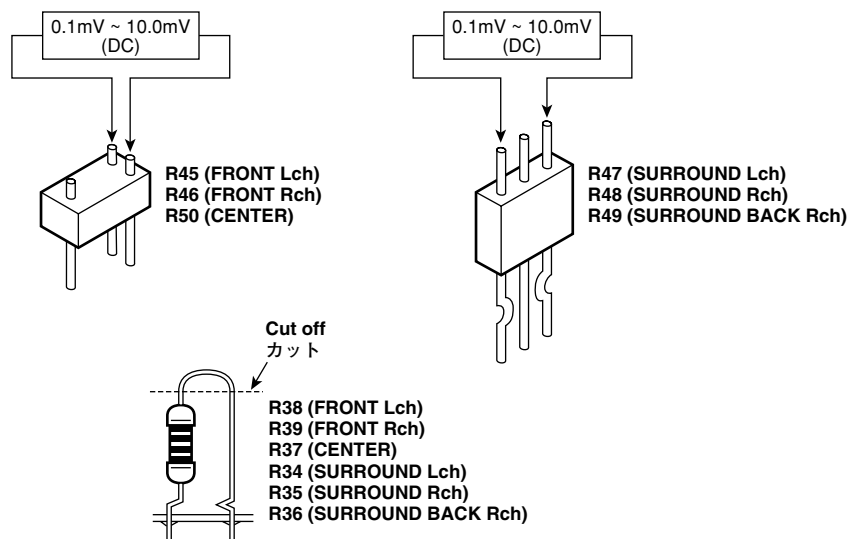
### Confirmation of Idling Current of MAIN (1) P. C. B.

- Right after power is turned on, confirm that each measured voltage across the terminals of R45 (FRONT Lch), R46 (FRONT Rch), R50 (CENTER), R47 (SURROUND Lch), R48 (SURROUND Rch), R49 (SURROUND BACK Rch) is between 0.1 mV and 10.0 mV.
- If it exceeds 10.0 mV, open (cutoff) R38 (FRONT Lch), R39 (FRONT Rch), R37 (CENTER), R34 (SURROUND Lch), R35 (SURROUND Rch), R36 (SURROUND BACK Rch) and reconfirm the voltage.

#### Attention

If the measured voltage exceeds 10.0 mV. after an amplifier repair, first check for a defective component before cutting the bias resistor.

- Confirm that the voltage is 0.2 mV ~ 15.0 mV. after 60 minutes.

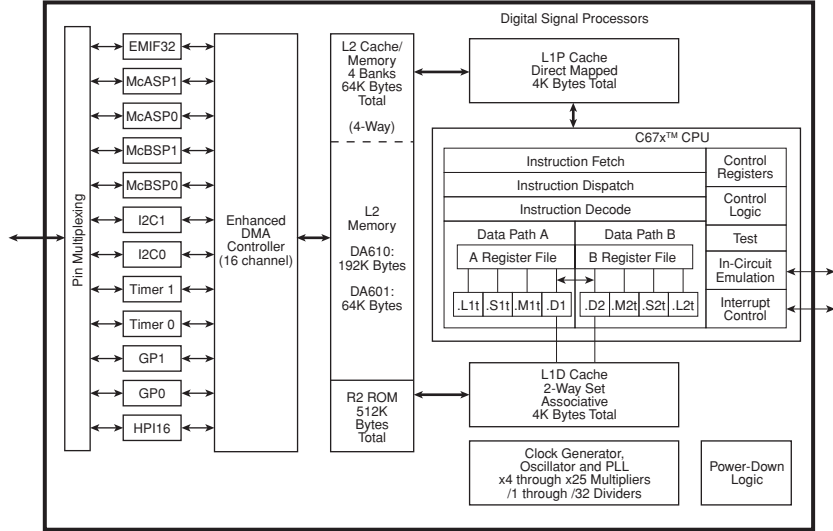


## IC DATA

IC5 : D60YA003BPYP225 (DSP P.C.B.)

Decoder

\* No replacement part available.



No.	Name [Default]	I/O	Function
1	GP0[4] / (EXT_INT4)	IOZ	General purpose I/O port 4 / Interrupt input (polarity selectable individually by using register)
2	GP0[6] / (EXT_INT6)	IOZ	General purpose I/O port 6 / Interrupt input (polarity selectable individually by using register) (Unconnected)
3	CVDD	S	1.2V power supply
4	VSS	GND	Ground
5	DVDD	S	3.3V power supply
6	GP0[5] / (EXT_INT5)	IOZ	General purpose I/O port 5 / Interrupt input (polarity selectable individually by using register) (Unconnected)
7	GP0[7] / (EXT_INT7)	IOZ	General purpose I/O port 7 / Interrupt input (polarity selectable individually by using register) (Unconnected)
8	CLKS1	I	McBSP1 external clock source
9	DVDD	S	3.3V power supply
10	VSS	GND	Ground
11	CVDD	S	1.2V power supply
12	TINP1 / AHCLKX0	I / IOZ	Timer 1 Input / McASP0 Transmission MCLK (Unconnected)
13	AXR1[11]	IOZ	McASP1 Transmission/reception data 11
14	CVDD	S	1.2V power supply
15	VSS	GND	Ground
16	CLKX0 / ACLKX0	IOZ	McBSP0 Transmission clock / McASP0 Transmission BCLK (Unconnected)
17	AXR1[12]	IOZ	McASP1 Transmission/reception data 12
18	AXR1[13]	IOZ	McASP1 Transmission/reception data 13
19	ACLKR0	IOZ	McASP0 Reception BCLK
20	DX0	O/Z	McBSP0 Transmission data (Unconnected)
21	FSX0	IOZ	McBSP0 Transmission Frame Sync (Unconnected)
22	CVDD	S	1.2V power supply
23	VSS	GND	Ground
24	AFSR0	IOZ	McASP0 Reception LRCLK
25	DVDD	S	3.3V power supply
26	VSS	GND	Ground
27	DR0	I	McBSP0 Reception data (Unconnected)
28	AHCLKR0	IOZ	McASP0 Reception MCLK (Unconnected)
29	CVDD	S	1.2V power supply
30	VSS	GND	Ground
31	FSX1	IOZ	McBSP1 Transmission Frame Sync (Input in SPI slave state)
32	AXR1[10]	IOZ	McASP1 Transmission/reception data 10
33	CLKX1 / AMUTE0	IOZ	McBSP1 Transmission clock (Input in SPI slave state) / McASP0 MUTE output
34	VSS	GND	Ground
35	CVDD	S	1.2V power supply
36	AXR1[9]	IOZ	McASP1 Transmission/reception data 9 (Unconnected)
37	DR1 / SDA1	I / IOZ	McBSP1 Reception data / I2C1 data
38	AXR1[8]	IOZ	McASP1 Transmission/reception data 8 (Unconnected)
39	VSS	GND	Ground
40	CVDD	S	1.2V power supply



IC5 : D60YA003BPYP225 (DSP P.C.B.)

Decoder

No.	Name	I/O	Function
41	SCL0	IOZ	I2C0 clock
42	SDA0	IOZ	I2C0 data
43	CVDD	S	1.2V power supply
44	DVDD	S	3.3V power supply
45	VSS	GND	Ground
46	CVDD	S	1.2V power supply
47	DVDD	S	3.3V power supply
48	VSS	GND	Ground
49	VSS	GND	Ground
50	CVDD	S	1.2V power supply
51	CVDD	S	1.2V power supply
52	VSS	GND	Ground
53	CVDD	S	1.2V power supply
54	VSS	GND	Ground
55	DVDD	S	3.3v power supply
56	ARDY	I	Asynchronous RAM Ready input
57	/CE3	O/Z	For external memory area, Enable 3 (Unconnected)
58	DVDD	S	3.3V power supply
59	VSS	GND	Ground
60	CVDD	S	1.2V power supply
61	/CE2	O/Z	For external memory area, Enable 2 (Unconnected)
62	EA2	O/Z	For external memory, Address 2
63	EA3	O/Z	For external memory, Address 3
64	EA4	O/Z	For external memory, Address 4
65	DVDD	S	3.3V power supply
66	VSS	GND	Ground
67	CVDD	S	1.2v power supply
68	EA5	O/Z	For external memory, Address 5
69	EA6	O/Z	For external memory, Address 6
70	EA7	O/Z	For external memory, Address 7
71	EA8	O/Z	For external memory, Address 8
72	DVDD	S	3.3V power supply
73	VSS	GND	Ground
74	EA9	O/Z	For external memory, Address 9
75	/SDRAS	O/Z	SDRAM RAS
76	EA10	O/Z	For external memory, Address 10
77	ECLKOUT	O/Z	Clock output for EMIF
78	ECLKIN	I	Clock input for EMIF (Unconnected)
79	/SDCAS	O/Z	SDRAM CAS
80	CVDD	S	1.2V power supply
81	VSS	GND	Ground
82	CLKOUT2 / GP0[2]	O/Z / IOZ	Half clock output of device Speed / General purpose I/O0 port 2 (Unconnected)
83	/SDWE	O/Z	SDRAM WE
84	DVDD	S	3.3V power supply
85	VSS	GND	Ground
86	EA11	O/Z	For external memory, Address 11
87	DVDD	S	3.3V power supply
88	VSS	GND	Ground
89	CVDD	S	1.2V power supply
90	EA14	O/Z	For external memory, Address 14
91	EA13	O/Z	For external memory, Address 13
92	EA16	O/Z	For external memory, Address 16
93	EA12	O/Z	For external memory, Address 12
94	EA15	O/Z	For external memory, Address 15
95	EA18	O/Z	For external memory, Address 18
96	CVDD	S	1.2V power supply
97	VSS	GND	Ground
98	DVDD	S	3.3V power supply

IC5 : D60YA003BPYP225 (DSP P.C.B.)

Decoder

No.	Name	I/O	Function
99	EA17	O/Z	For external memory, Address 17
100	EA19	O/Z	For external memory, Address 19
101	EA20	O/Z	For external memory, Address 20
102	/CE0	O/Z	For external memory area, Enable 0
103	/CE1	O/Z	For external memory area, Enable 1
104	CVDD	S	1.2V power supply
105	CVDD	S	1.2V power supply
106	VSS	GND	Ground
107	DVDD	S	3.3V power supply
108	/BE1	O/Z	For external memory, Byte Enable Control 1
109	EA21	O/Z	For external memory, Address 21 (Unconnected)
110	/BE0	O/Z	For external memory, Byte Enable Control 0
111	ED13	IOZ	For external memory, Data 13
112	ED15	IOZ	For external memory, Data 15
113	ED14	IOZ	For external memory, Data 14
114	DVDD	S	3.3V power supply
115	VSS	GND	Ground
116	CVDD	S	1.2V power supply
117	ED11	IOZ	For external memory, Data 11
118	ED12	IOZ	For external memory, Data 12
119	ED9	IOZ	For external memory, Data 9
120	ED10	IOZ	For external memory, Data 10
121	ED6	IOZ	For external memory, Data 6
122	ED7	IOZ	For external memory, Data 7
123	ED8	IOZ	For external memory, Data 8
124	CVDD	S	1.2V power supply
125	VSS	GND	Ground
126	DVDD	S	3.3V power supply
127	ED4	IOZ	For external memory, Data 4
128	ED5	IOZ	For external memory, Data 5
129	ED3	IOZ	For external memory, Data 3
130	ED2	IOZ	For external memory, Data 2
131	ED1	IOZ	For external memory, Data 1
132	ED0	IOZ	For external memory, Data 0
133	CVDD	S	1.2V power supply
134	VSS	GND	Ground
135	GP0[1]	IOZ	General purpose I/O0 port 1
136	BUSREQ	O/Z	For external memory, Bus request output (Unconnected)
137	/HOLDA	O/Z	For external memory, Hold request approval to host (Unconnected)
138	/HOLD	I	For external memory, Hold request from host
139	AFSR1	IOZ	McASP1 reception LRCLK
140	ACLKR1	IOZ	McASP1 reception BCLK
141	DVDD	S	3.3V power supply
142	VSS	GND	Ground
143	AXR[0]	IOZ	McASP1 transmission/reception data 0
144	AXR[1]	IOZ	McASP1 transmission/reception data 1
145	AXR1[2]	IOZ	McASP1 transmission/reception data 2
146	AXR18[3]	IOZ	McASP1 transmission/reception data 3
147	AXR1[4]	IOZ	McASP1 transmission/reception data 4
148	VSS	GND	Ground
149	CVDD	S	1.2V power supply
150	AXR1[5]	IOZ	McASP1 transmission/reception data 5
151	AXR1[6]	IOZ	McASP1 transmission/reception data 6
152	AXR1[7]	IOZ	McASP1 transmission/reception data 7
153	ACLKX1	IOZ	McASP1 transmission BCLK
154	AMUTE1	OZ	McASP1 MUTE output
155	AFSX1	IOZ	McASP1 transmission LRCLK
156	GP0[0]	IOZ	General purpose I/O0 port 0 (SPI ready signal output Active: H)

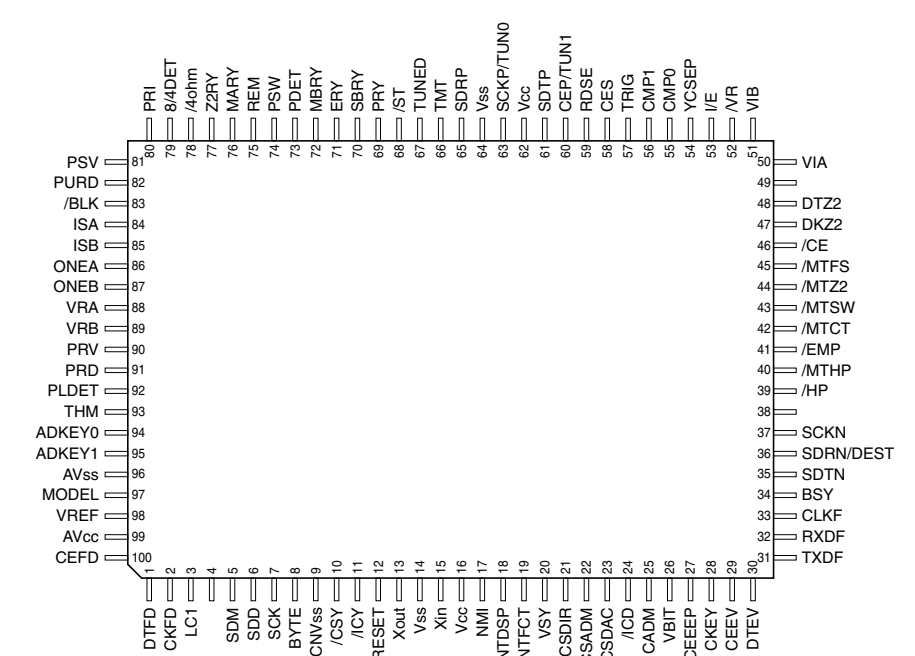
IC5 : D60YA003BPYP225 (DSP P.C.B.)

Decoder

No.	Name	I/O	Function
157	CVDD	S	1.2V power supply
158	VSS	GND	Ground
159	AHCLKX1	IOZ	McASP1 transmission MCLK
160	GP0[8]	IOZ	General purpose I/O0 port 8
161	AHCLKR1	IOZ	McASP1 reception MCLK
162	DVDD	S	3.3V power supply
163	VSS	GND	Ground
164	GP0[3]	IOZ	General purpose I/O0 port 3
165	GP0[9]	IOZ	General purpose I/O0 port 9 (Unconnected)
166	GP0[10]	IOZ	General purpose I/O0 port 10 (Unconnected)
167	GP0[11]	IOZ	General purpose I/O0 port 11 (Unconnected)
168	GP0[12]	IOZ	General purpose I/O0 port 12
169	CVDD	S	1.2V power supply
170	VSS	GND	Ground
171	CVDD	S	1.2V power supply
172	GP0[13]	IOZ	General purpose I/O0 port 13
173	GP0[14]	IOZ	General purpose I/O0 port 14
174	GP0[15]	IOZ	General purpose I/O0 port 15
175	NMI	I	Nonmaskable Interrupt ↑ edge
176	/RESET	I	Device reset
177	CVDD	S	1.2V power supply
178	OSCIN	I	X'tal input, Oscillation: 12 to 25MHz
179	OSCOU	O	X'tal output (Unconnected)
180	OSCVSS	GND	X'tal GND internal connection (Unconnected)
181	OSCVDD	S	X'tal 1.2V power supply internal connection (Unconnected)
182	VSS	GND	Ground
183	DVDD	S	3.3V power supply
184	CLKOUT3	O	Programmable clock output up to 32 division of PLL (Unconnected)
185	EMU1	IOZ	JTAG emulation pin 1 (1 k-ohms PD when boundary scanning)
186	EMU0	IOZ	JTAG emulation pin 0 (1 k-ohms PD when boundary scanning)
187	TDO	O/Z	JTAG Data Out
188	DVDD	S	3.3V power supply
189	VSS	GND	Ground
190	CVDD	S	1.2V power supply
191	TDI	I	JTAG Data In
192	TMS	I	JTAG Mode Select
193	TCK	I	JTAG Clock
194	VSS	GND	Ground
195	CVDD	S	1.2V power supply
196	CVDD	S	1.2V power supply
197	/TRST	I	JTAG Reset
198	RSV2	O/Z	Reserved (Unconnected)
199	PLLG	A	Analog GND for PLL
200	RSV0	A	Reserved (Unconnected)
201	PLLV	A	Analog 1.2V power supply for PLL
202	PLLV	A	Analog 3.3V power supply for PLL
203	RSV1	I	Reserved (GND)
204	CLKIN	I	Clock input
205	CLKMODE0	I	PLL input clock selection: Clkin or X'tal
206	DVDD	S	3.3V power supply
207	VSS	GND	Ground
208	CVDD	S	1.2V power supply

IC451: M30626FHPF (SUBTRANS P.C.B.)

16-bit Microprocessor



No.	Port Name	Terminal Name	I/O				Function
			PowerOn	Pure Direct	Standby	Sleep	
1	P96/ANEX1/SOUT4	DTFD	SO		O	O	FL Driver TxD
2	P95/ANEX0/CLK4	CKFD	SO		O	O	FL Driver CLOCK
3	P94/DA1/TB4in	LIMIT	DA		O	O	Limiter control output
4	P93/DA0/TB3in	TRIG	O		O	O	DC TRIGGER output (Unconnected)
5	P92/TB2in/SOUT3	SDM	SO		O	O	Serial data output to DIR, TI (DA601) / DIR : 4M, LSBF/TI : 1M, MSBF
6	P91/TB1in/SIN3	SDD	SI		O	O	Serial data input from DIR, TI (DA601)
7	P90/TB0in/CLK3	SCK	SO		O	O	Serial data clock output to DIR, TI (DA601), DAC
8	BYTE	BYTE	MCU		MCU	MCU	Vss : When single chip mode is used
9	CNVss	CNVss	MCU		MCU	MCU	Vss : When single chip mode is used, Vcc : When flash writing is used
10	P87/Xcin	MUTETI	O		O	O	Muting (HI=MUTE) of TI decoder DSP DA601
11	P86/Xcout	TIBUSY	I		O	O	TI BUSY detection / CDDA write data input
12	/RESET	/RESET	MCU		MCU	MCU	Reset
13	Xout	Xout	MCU		MCU	MCU	Oscillation output (oscillation stopped in Sleep mode)
14	Vss	Vss	MCU		MCU	MCU	Ground for micro-processor
15	Xin	Xin	MCU		MCU	MCU	Oscillation input
16	Vcc1	Vcc	MCU		MCU	MCU	Power supply +5V for micro-processor
17	P85/NMI	NMI	MCU		MCU	MCU	Unused, connected to Vcc
18	P84/INT2	/INTTI	IRQ		O	O	Interruption of TI decoder DSP DA601
19	P83/INT1	/INTDIR	IRQ		O	O	Interruption of DIR
20	P82/INT0	N.C.	O		O	O	
21	P81/TA4in/U	/CSDIR	O		O	O	DIR chip enable
22	P80/TA4out/U	/CSTI	O		O	O	TI decoder DSP DA601 chip enable
23	P77/TA3in	/CSDAC	O		O	O	DAC (common to 2ch/8ch) chip enable
24	P76/TA3out	/ICDIR	O		O	O	DIR reset
25	P75/TA2in/W	/ICTI	O		O	O	TI decoder DSP DA601 reset
26	P74/TA2out/W	SPIRDY	O		O	O	TI DA601 Serial Ready / CDDA write WCK input
27	P73/CTS2/RTS2/TA1in/V	/CEEEP	I		O	O	EEPROM CE
28	P72/CLK2/TA1out/V	CKZ2	O		O	O	
29	P71/RXD2/SCL2/TA0in/TB5in	DRXM	SI		O	O	DAB SCLK
30	P70/TXD2/SDA2/TA0out	DTXM	SO		O	O	DAB SDATA
31	P67/TXD1/SDA1	DTEV	SO		O	O	Electronic volume IC DATA
		TXDF	SO				Data transmission terminal for AF220

IC451: M30626FHPFP (SUBTRANS P.C.B.)  
16-bit Microprocessor

No.	Port Name	Terminal Name	I/O				Function
			PowerOn	Pure Direct	Standby	Sleep	
32	P66/RXD1/SCL1	DTZ2 RXDF	O SO	O O		O	FLASH ROM RxD
33	P65/CLK1	CKEV CLKF	SO SO	O O		O	Electronic volume IC Clock Clock transmission terminal for AF220
34	P64/CTS1/RTS1/CTS0/CLKS1	BSY	O				BUSY signal output for AF220
35	P63/TXD0/SDA0	DTCV	SO	O	O	O	
36	P62/RXD0/SCL0	CKCV	SO	O	O	O	
37	P61/CLK0	/HP	I	O		O	HEAD PHONE detection
38	P60/CTS0/RTS0	/MTHP	O	O		O	HEAD PHONE MUTE output
39	P57/RDY/CLKout	/MTCT	O	O		O	MUTE Center
40	P56/ALE	/MTSW	O	O		O	MUTE SW
41	P55/HOLD	/EMP	I				For FLASH writing (LO)
42	P54/HLDA	/MTZ2	O	O		O	
43	P53/BCLK	/MTFS	O	O		O	MUTE Front/Surround, PreOUT
44	P52/RD	VIA	O	O		O	VIDEO Selector A
45	P51/WRH/BHE	VIB	O	O		O	VIDEO Selector B
46	P50/WRL/WR	/CE	I				For FLASH writing (HI)
47	P47/CS3	VR	O	O		O	VIDEO RecOut Selector 1
48	P46/CS2			O		O	
49	P45/CS1	YCSEP	O	O		O	
50	P44/CS0	CMP0/MOD3	O	O		O	Component Selector 0
51	P43/A19	CMP1	O	O		O	Component Selector 1
52	P42/A18	CPNTD	I	O		O	
53	P41/A17	CPNTT	I	O		O	
54	P40/A16	SVIDD	I	O		O	S-Video Signal Detector
55	P37/A15	MOD2		I			MODEL distinction 2 (Data taken in when reset is cancelled)
56	P36/A14	MOD1		I			MODEL distinction 1 (Data taken in when reset is cancelled)
57	P35/A13	SDTN	O	O		O	RDS IC TxD
58	P34/A12	SDRN	I	O		O	RDS RxD
59	P33/A11	XMPWR SCKN	O O	O O		O	RDS IC Clock
60	P32/A10	/ICXM RDSE	O O	O O		O	RDS Enable
61	P31/A9	CEP	O	O		O	PLL IC Enable
62	Vcc2	Vcc	MCU	MCU		MCU	Power supply +5V for micro-processor
63	P30/A8	SDTP	O	O		O	PLL IC TxD
64	Vss	Vss	MCU	MCU		MCU	Ground for micro-processor
65	P27/A7	SCKP	O	O		O	PLL IC Clock (With/without pull-up resistor is selected for every 4 bits.)
66	P26/A6	SDRP	I+	O		O	PLL IC RxD (With/without pull-up resistor is selected for every 4 bits.)
67	P25/A5	TUNED	I+	O		O	TUNED (With/without pull-up resistor is selected for every 4 bits.)
68	P24/A4	/ST	I+	O		O	TUNER /ST (With/without pull-up resistor is selected for every 4 bits.)
69	P23/A3	/TMUTE	O	O		O	TUNER MUTE
70	P22/A2	PRY	O	O		O	Power relay output
71	P21/A1	SBRY	O	O		O	Surround Back SP relay output
72	P20/A0	ERY	O	O		O	Surround SP relay output
73	P17/D15/INT5	PDET	IRQ	IRQ		O	Power Down DETECT INT
74	P16/D14/INT4	/PSW	IRQ	IRQ		O	SYSTEM/MAIN/Zone2 Power switch interruption (Pushed switch is judged using ADKEY0 and ADKEY1. Refer to Details of "AD-DA".)
75	P15/D13/INT3	REM	IRQ	IRQ		O	Remote control input
76	P14/D12	MBRY	O	O		O	Front B SP relay output
77	P13/D11	MARY	O	O		O	Front A SP relay output
78	P12/D10	YST	O	O		O	
79	P11/D9	4ohms	O	O		O	IMPEDANCE control: At 8ohms setting, Low (relay OFF, B voltage High) / ±B voltage Control: At 4ohms setting and temperature rise, High (relay ON, B voltage Low)
80	P10/D8	PRI	I	O		O	Protection over current detection
81	P07/D7	PSV	O	O		O	Power Save
82	P06/D6	/VMUTE	O	O		O	
83	P05/D5	/BLK	O	O		O	FL Driver light off

IC451: M30626FHPFP (SUBTRANS P.C.B.)  
16-bit Microprocessor

No.	Port Name	Terminal Name	I/O				Function
			PowerOn	Pure Direct	Standby	Sleep	
84	P04/D4	ISA	I	O		O	INPUT Selector Rotaly A
85	P03/D3	ISB	I	O		O	INPUT Selector Rotaly B
86	P02/D2	TONEA	O	O		O	Tone Control Rotaly A
87	P01/D1	TONEB	I	O		O	Tone Control Rotaly B
88	P00/D0	VRA	I	O		O	Volume Rotaly A
89	P107/AN7/KI3	VRB	I	O		O	Volume Rotaly B
90	P106/AN6/KI2	PRV	AD	AD		O	AD protection power supply voltage detection (Refer to Protection Setting Table.)
91	P105/AN5/KI1	PRD	AD	AD		O	AD protection DC detection (Refer to Protection Setting Table.)
92	P104/AN4/KI0	PLDET	AD	AD		O	AD POWER LIMITTER detection (Refer to Limitter Setting Table.)
93	P103/AN3	THM	AD	AD		O	AD temperature detection (Refer to Protection Setting Table.)
94	P102/AN2	ADKEY0	AD	AD		O	AD Key 0 (Refer to Details of "AD-DA".)
95	P101/AN1	ADKEY1	AD	AD		O	AD Key 1 (Refer to Details of "AD-DA".)
96	Avss	Avss	MCU	MCU		MCU	Ground for AD
97	P100/AN0	DEST	AD	AD		O	Distinction for AD (Data taken in when reset is cancelled. Refer to Details of "AD-DA".)
98	Vref	Vref	MCU	MCU		MCU	Reference for AD
99	Avcc	Avcc	MCU	MCU		MCU	Power supply for AD
100	P97/Adtrg/Sin4	CEFD / MOD0	O	O / I		O	FL Driver CE / MODEL distinction 0 (Data taken in when reset is cancelled.)

Key Input(A-D) Pull-Up Resistance 10 k-ohms

Ohm	+0.0 k	+1.0 k	+1.0 k	+1.5 k	+2.2 k	+3.3 k	+4.7 k	+4.7 k	+6.8 k	+10.0 k	+22.0 k
V	~ 0.3	~ 0.7	~ 1.0	1.5	~ 2.0	~ 2.6	~ 3.1	~ 3.4	~ 3.7	~ 4.0	~ 4.4
ADKEY0 94pin/AN2	-	-	-	-	INPUT MODE	STRAIGHT	TONE CONTROL	PRESET/TUNING	SPEAKER B	SPEAKER A	-
ADKEY1 95pin/AN1	-	-	-	-	MULTI CH INPUT	FM/AM	A/B/C/D/E	PRESET/TUNING <	PRESET/TUNING >	MEMORY	TUNING MODE

MODEL Distinction Port

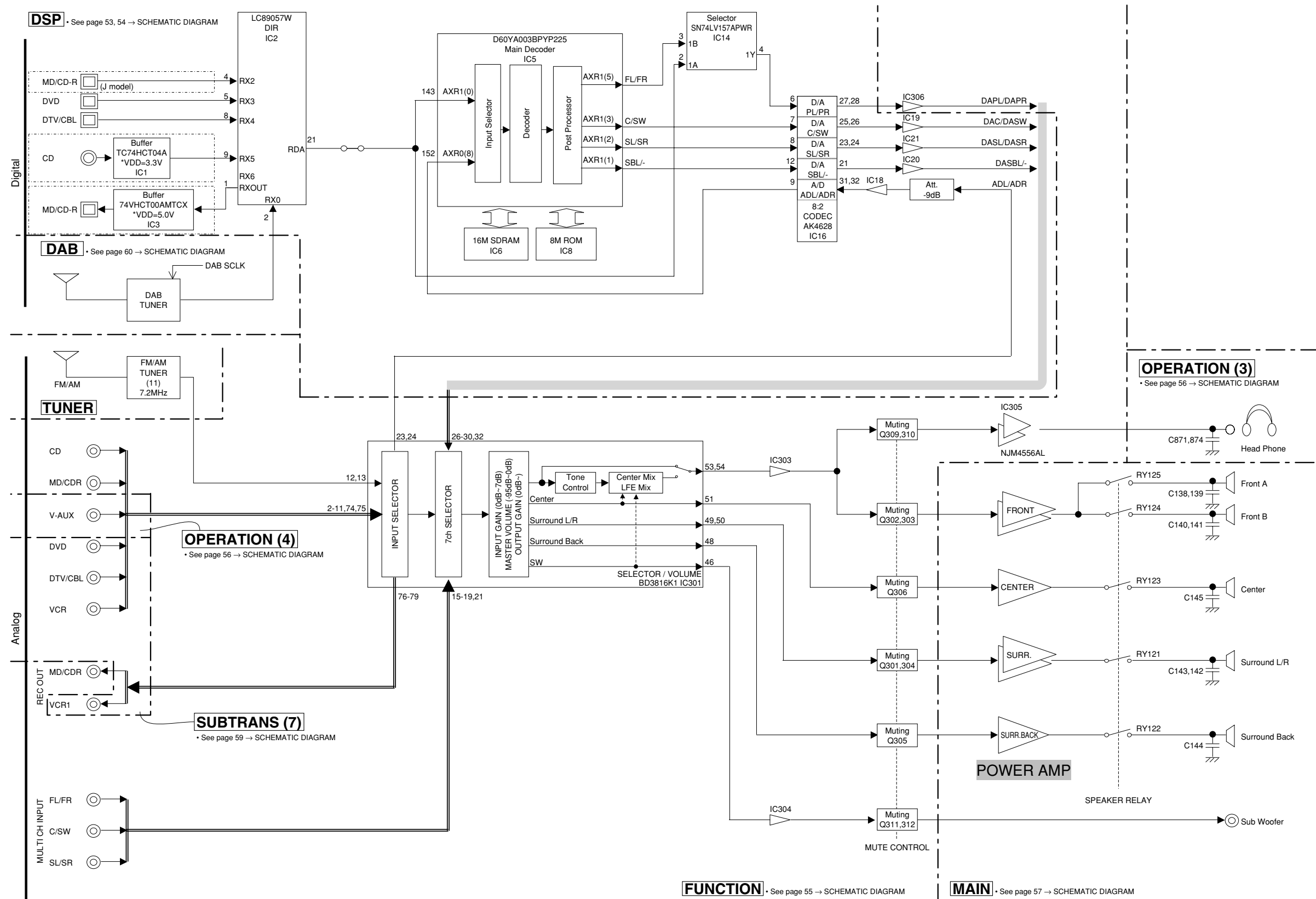
Pin	Function	Name	RX-V557/DSP-AX557	HTR-5850	RX-V457/HTR-5840/DSP-AX457	RX-V100D
100	P97	MOD0	0	1	1	0
56	P36	MOD1	0	0	1	1
55	P37	MOD2	1	1	1	1
50	P44	MOD3	-	-	-	-

Distinction for AD Port

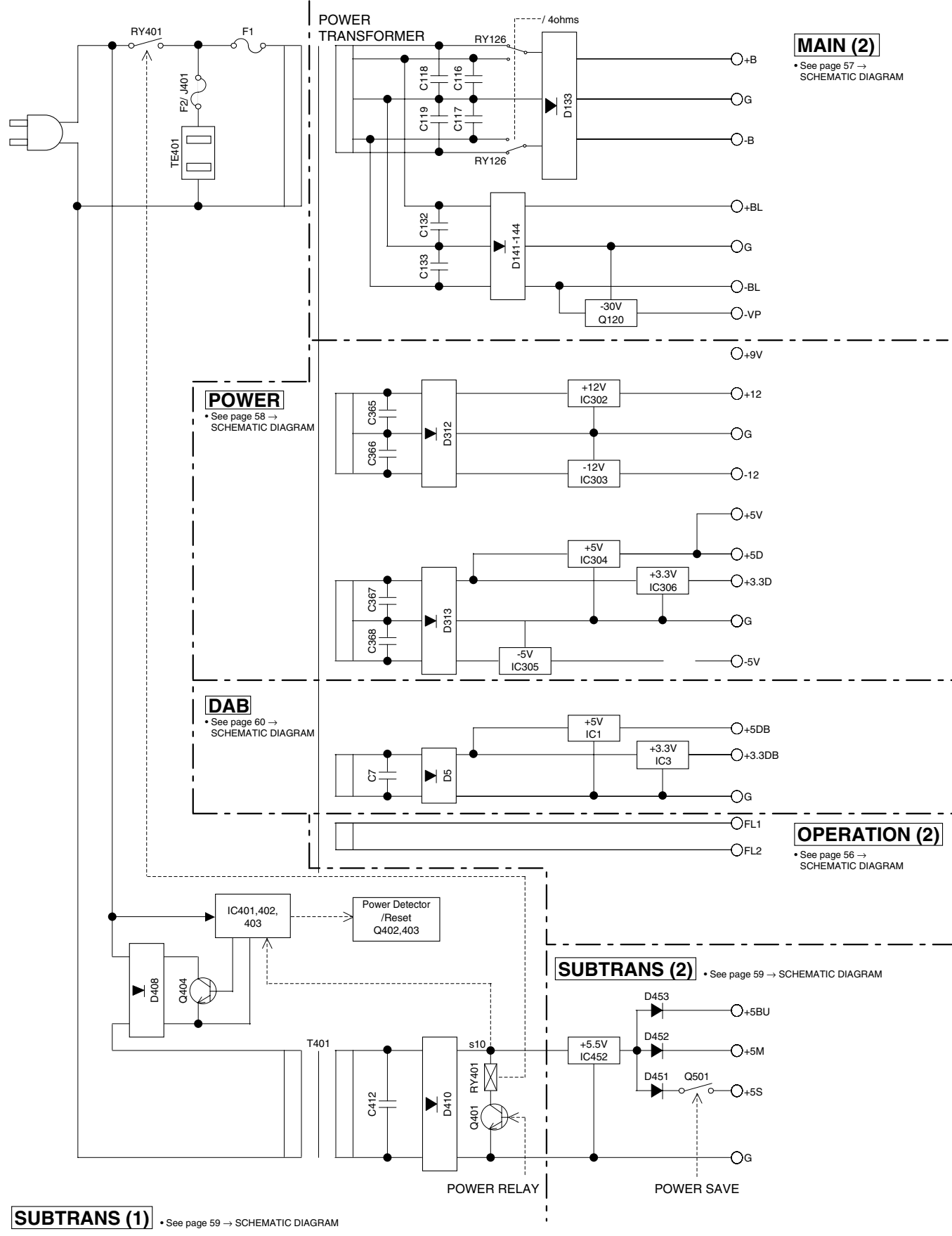
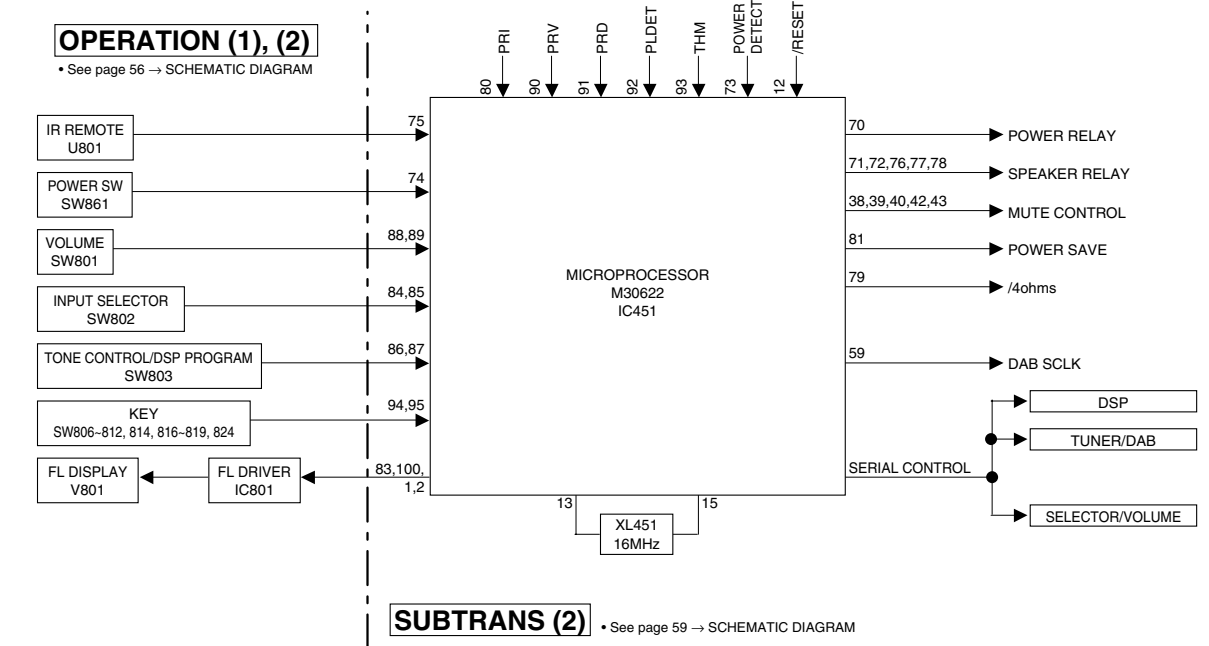
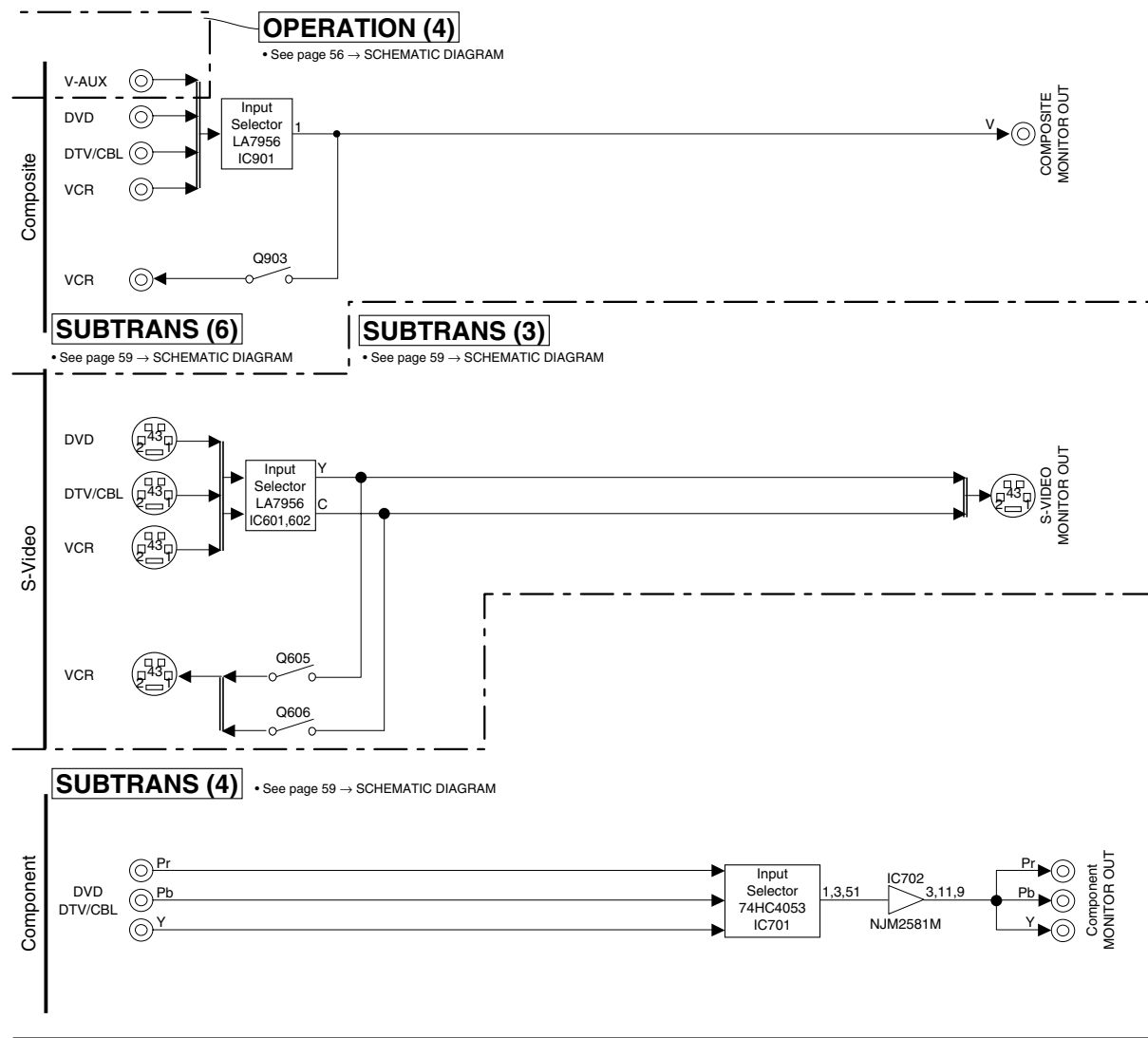
Pull-Up Resistance 10 k-ohms

Ohm	0.0 k	1.2 k	2.7 k	4.7 k	6.8 k	10.0 k	15.0 k	27.0 k	47.0 k	100.0 k	∞
V	0-0.2	0.3-0.8	0.9-1.3	1.4-1.8	1.8-2.2	2.3-2.7	2.8-3.3	3.4-3.8	3.9-4.3	4.4-4.7	4.8-5.0
A-D (5V=256)	0-13	14-40	41-68	69-92	93-115	116-140	141-170	171-198	199-221	222-244	245-255
DEST 97pin	J	U	C	R	T	K	A	B	GE	L	-

# ■ BLOCK DIAGRAM (1/2)

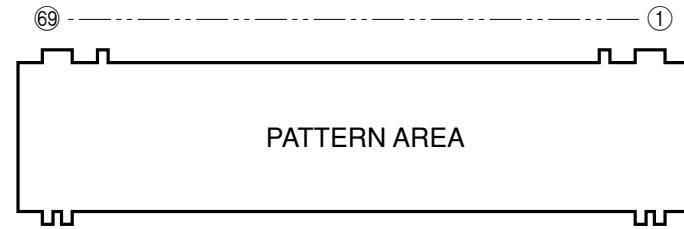


# BLOCK DIAGRAM (2/2)



## ■ DISPLAY DATA

### ● V801 : 17-BT-25GNK (WF784700)



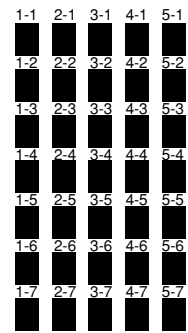
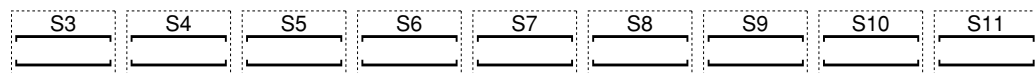
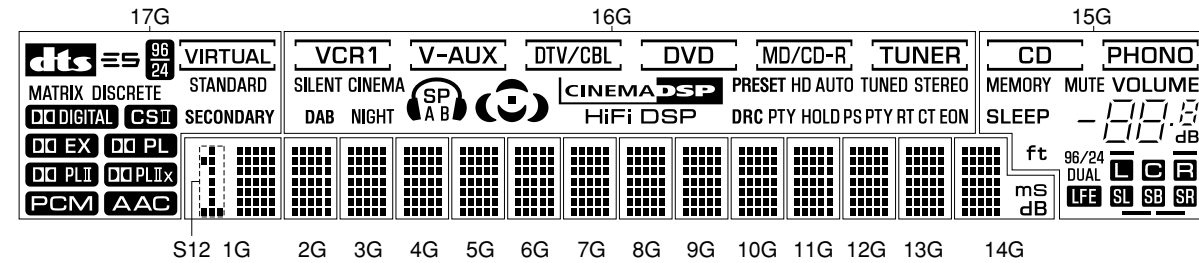
### ● PIN CONNECTION

Pin No.	69	68	67	66	65	64	63	62	61	60	59	58	57	56	55	54	53	52	51	50	49	48	47	46	45	44	43	42	41	40	39	38	37	36	35
Connection	F2	NX	NP	NP	P1	P2	P3	P4	P5	P6	P7	P8	P9	P10	P11	P12	P13	P14	P15	P16	P17	P18	P19	P20	P21	P22	P23	P24	P25	P26	P27	P28	P29	P30	P31

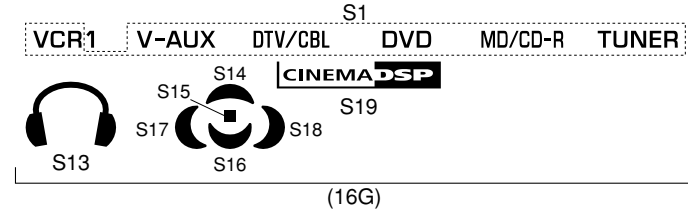
Pin No.	34	33	32	31	30	29	28	27	26	25	24	23	22	21	20	19	18	17	16	15	14	13	12	11	10	9	8	7	6	5	4	3	2	1
Connection	P32	P33	P34	P35	P36	P37	NX	NX	NX	NX	NX	NX	NX	17G	16G	15G	14G	13G	12G	11G	10G	9G	8G	7G	6G	5G	4G	3G	2G	1G	NP	NP	NX	F1

Note : 1) F1, F2 ..... Filament 2) NP ..... No pin 3) NX ..... No extended pin 4) DL ..... Datum line 5) 1G ~ 16G ..... Grid

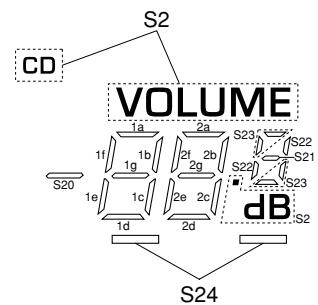
### ● GRID ASSIGNMENT



(1G~14G)



(16G)



(15G)

### ● ANODE CONNECTION

	17G	16G	15G	14G	13G~2G	1G
P1	<b>dts</b>	EDN	SLEEP	1-1	1-1	1-1
P2	<b>ES</b>	CT	MEMORY	2-1	2-1	2-1
P3	MATRIX	RT	MUTE	3-1	3-1	3-1
P4	DISCRETE	PTY	S20	4-1	4-1	4-1
P5	<b>96/24</b>	PS	1a	5-1	5-1	5-1
P6	<b>DD DIGITAL</b>	PTY HOLD	1b	1-2	1-2	1-2
P7	<b>DD EX</b>	DRC	1c	2-2	2-2	2-2
P8	<b>DD PL</b>	S14	1d	3-2	3-2	3-2
P9	<b>DD PLI</b>	S15	1e	4-2	4-2	4-2
P10	<b>DD PLIX</b>	S16	1f	5-2	5-2	5-2
P11	<b>AAC</b>	S17	1g	1-3	1-3	1-3
P12	<b>PCM</b>	S18	2a	2-3	2-3	2-3
P13	SECONDARY	SILENT CINEMA	2b	3-3	3-3	3-3
P14	<b>CSII</b>	S13	2c	4-3	4-3	4-3
P15	STANDARD	SP	2d	5-3	5-3	5-3
P16	VIRTUAL	A	2e	1-4	1-4	1-4
P17	S3	B	2f	2-4	2-4	2-4
P18	-	DAB	2g	3-4	3-4	3-4
P19	-	NIGHT	S2	4-4	4-4	4-4
P20	-	HiFi DSP	S10	5-4	5-4	5-4
P21	-	S19	S11	1-5	1-5	1-5
P22	-	PRESET	PHONO	2-5	2-5	2-5
P23	-	HD	S21	3-5	3-5	3-5
P24	-	AUTO	S22	4-5	4-5	4-5
P25	-	TUNED	S23	5-5	5-5	5-5
P26	-	STEREO	ft	1-6	1-6	1-6
P27	-	S4	S24	2-6	2-6	2-6
P28	-	S5	<b>96/24</b>	3-6	3-6	3-6
P29	-	S6	DUAL	4-6	4-6	4-6
P30	-	S7	<b>LFE</b>	5-6	5-6	5-6
P31	-	S8	<b>L</b>	1-7	1-7	1-7
P32	-	S9	<b>C</b>	2-7	2-7	2-7
P33	-	1	<b>R</b>	3-7	3-7	3-7
P34	-	S1	<b>SL</b>	4-7	4-7	4-7
P35	-	-	<b>SB</b>	5-7	5-7	5-7
P36	-	-	<b>SR</b>	ms	-	S12
P37	-	-	S25	dB	-	-

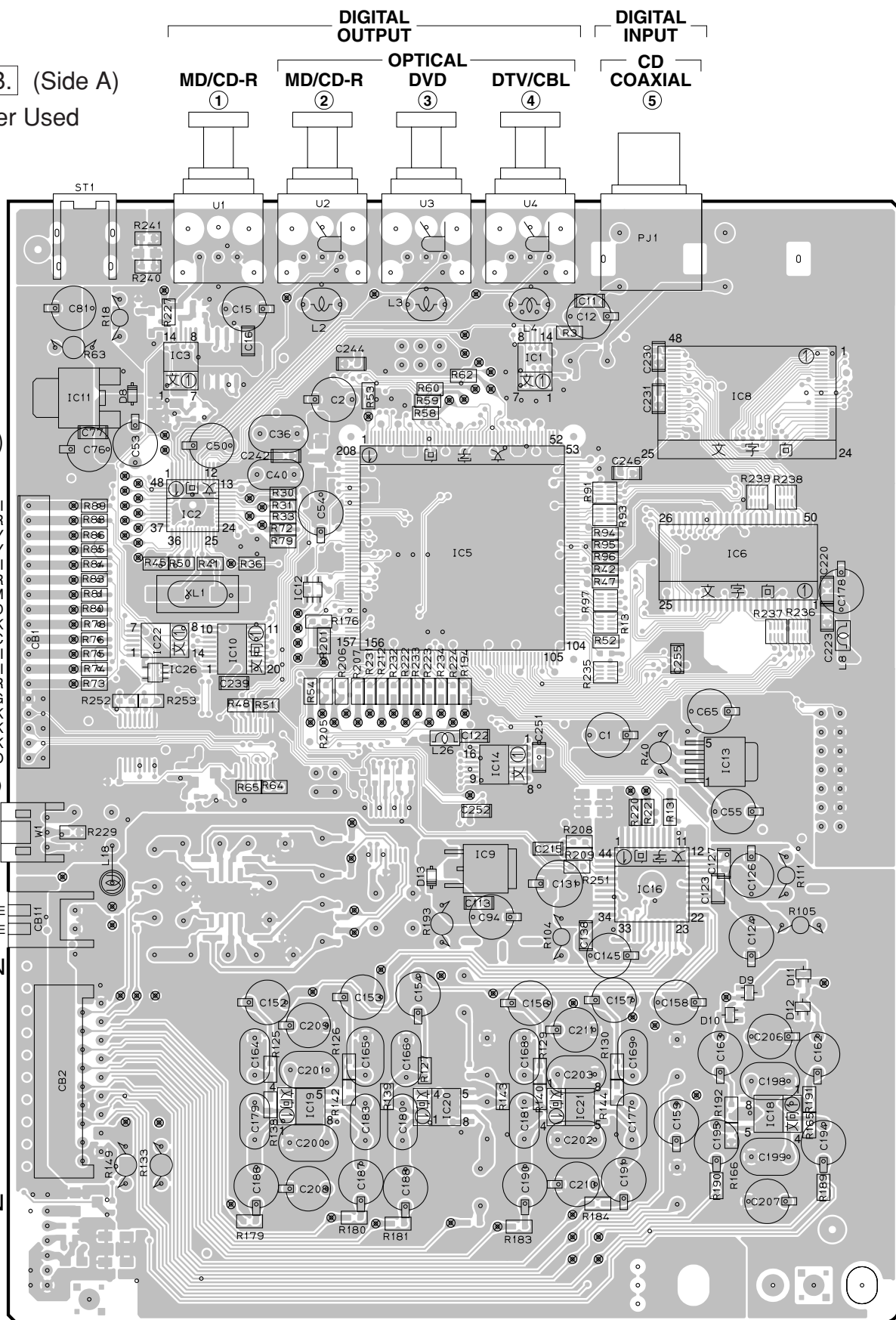
PRINTED CIRCUIT BOARD

Semiconductor Location

Ref. No.	Location
D3	I5
D8	B3
D9	E6
D10	D6
D11	E6
D12	E6
D13	C5
IC1	D3
IC2	B4
IC3	B3
IC6	D4
IC8	D3
IC9	C5
IC10	B4
IC11	B3
IC12	C4
IC13	D5
IC14	C5
IC16	D5
IC18	E6
IC19	C6
IC20	C6
IC21	D6
IC22	B4
IC26	B4

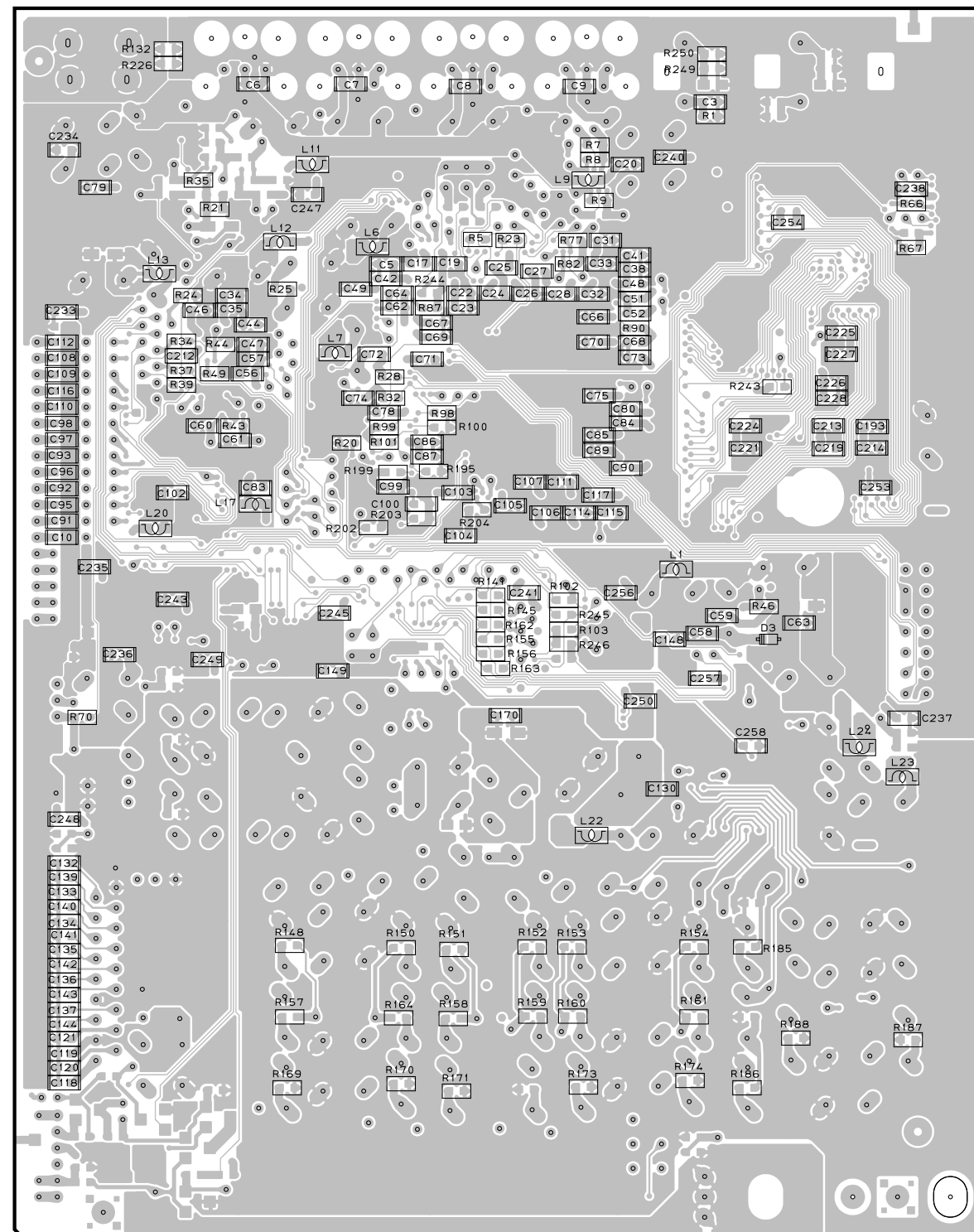
DSP P.C.B. (Side A)

Lead Solder Used



DSP P.C.B. (Side B)

Lead Free Solder Used



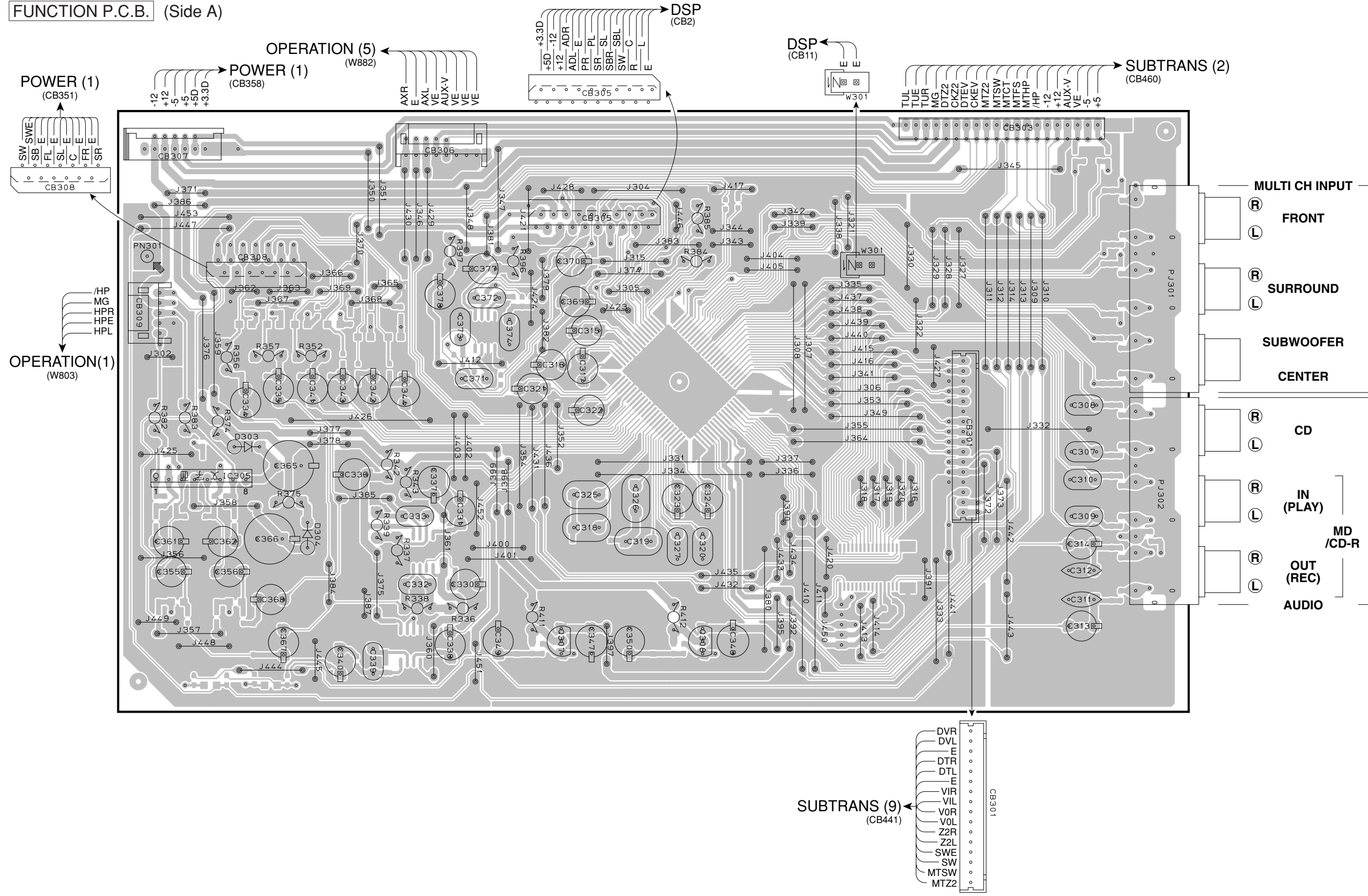
1  
2  
3  
4  
5  
6  
7

PRINTED CIRCUIT BOARD

FUNCTION P.C.B. (Side A)

• Semiconductor Location

Ref. No.	Location
D303	B4
D304	C5
IC305	B4
Q307	D5
Q308	E5



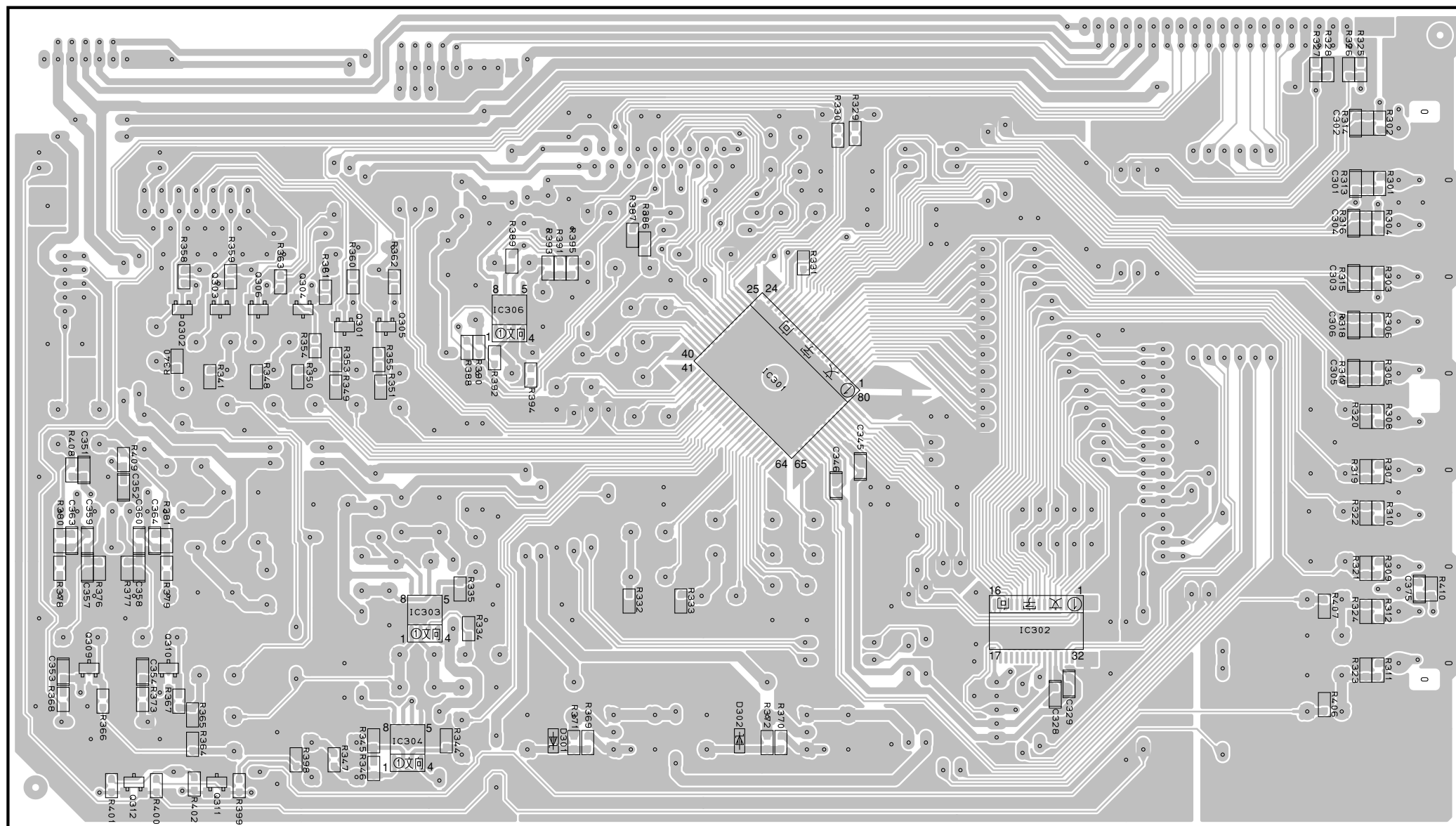


1 ■ PRINTED CIRCUIT BOARD

FUNCTION P.C.B. (Side B) Lead Free Solder Used

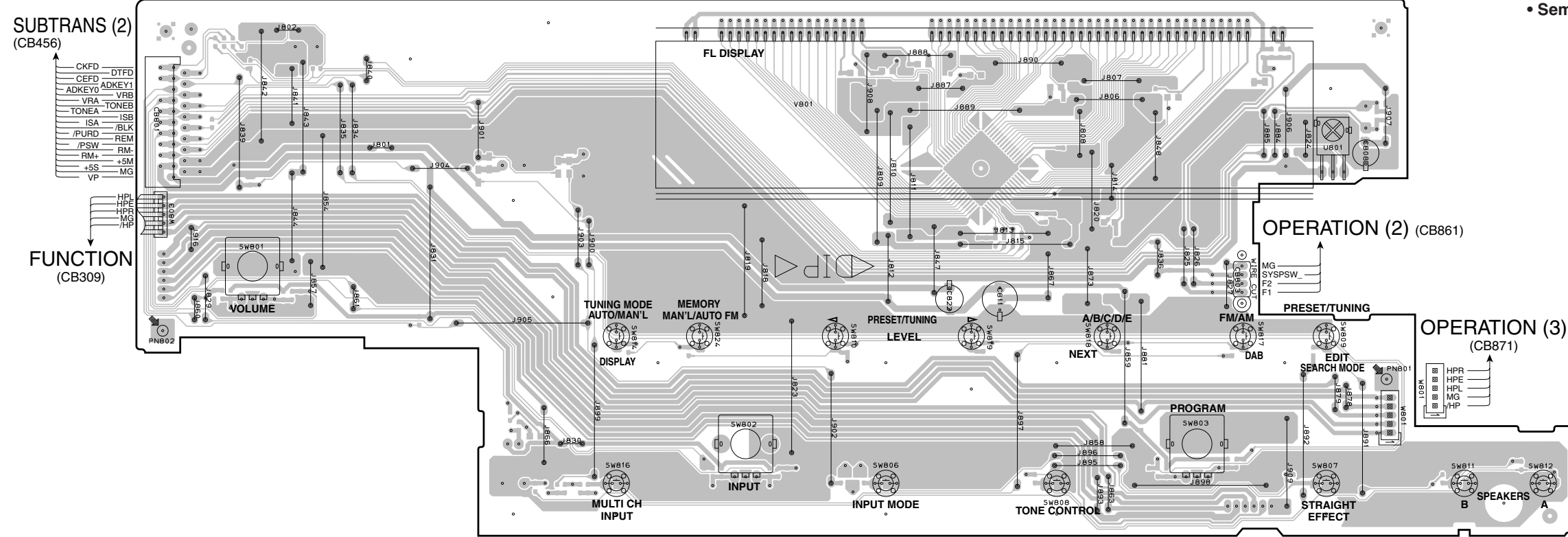
• Semiconductor Location

Ref. No.	Location
D301	D6
D302	E6
IC301	E4
IC303	C5
IC304	C6
IC306	D4
Q301	C4
Q302	B4
Q303	B4
Q304	C4
Q305	C4
Q306	C4
Q309	B5
Q310	B5
Q311	B6
Q312	B6



PRINTED CIRCUIT BOARD

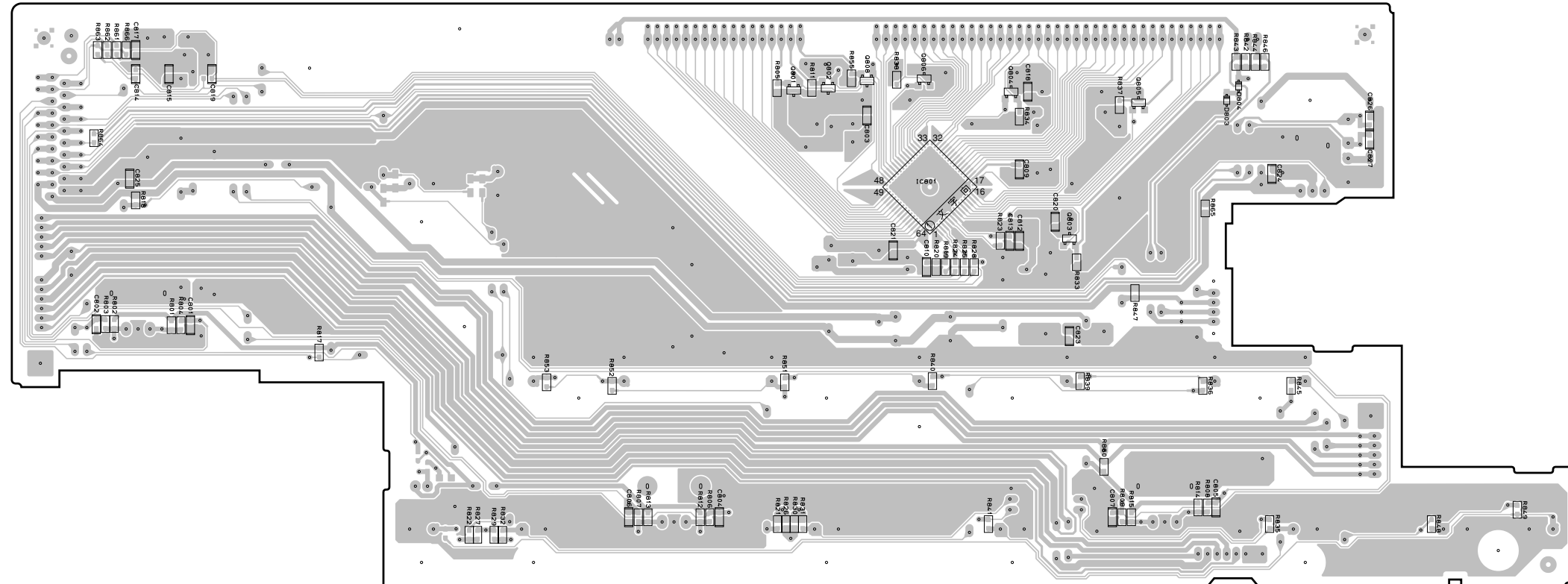
OPERATION (1) P.C.B. (Side A)



Semiconductor Location

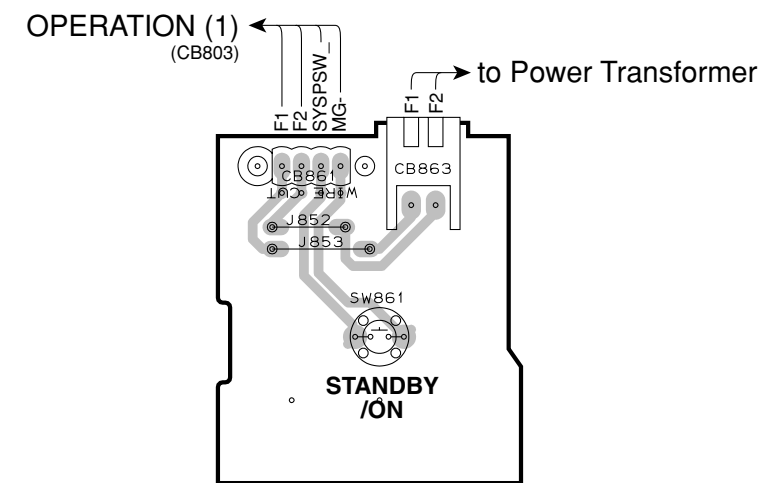
Ref. No.	Location
D803	H5
D804	H5
IC801	G5
Q801	F5
Q802	F5
Q803	G5
Q804	G5
Q805	H5
Q806	G5
Q808	G5

OPERATION (1) P.C.B. (Side B)  
Lead Free Solder Used

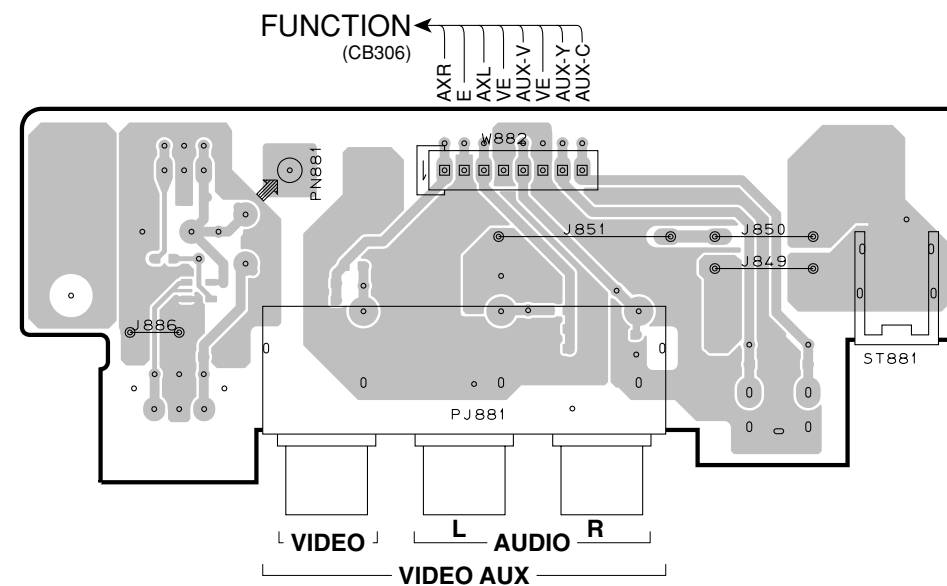


1 ■ PRINTED CIRCUIT BOARD

OPERATION (2) P.C.B. (Side A)



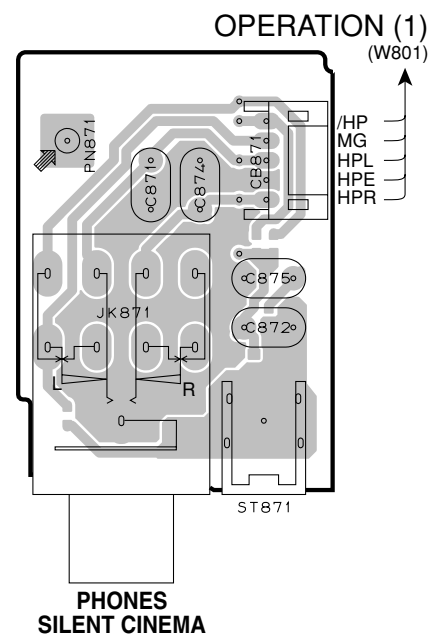
OPERATION (5) P.C.B. (Side A)



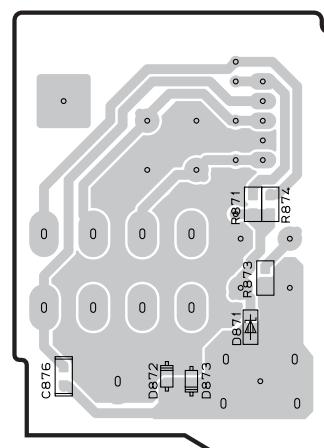
• Semiconductor Location

Ref. No.	Location
D871	D6
D872	D6
D873	D6
D881	I5
D882	I5
D883	H5
D884	H5

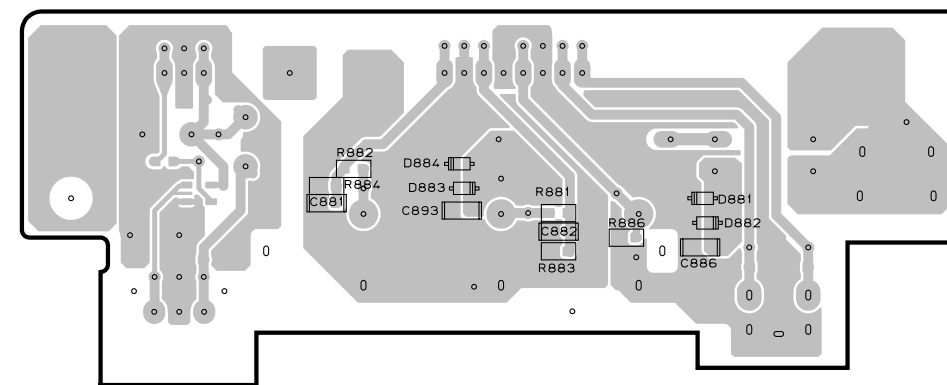
OPERATION (3) P.C.B. (Side A)



OPERATION (3) P.C.B. (Side B)  
Lead Free Solder Used

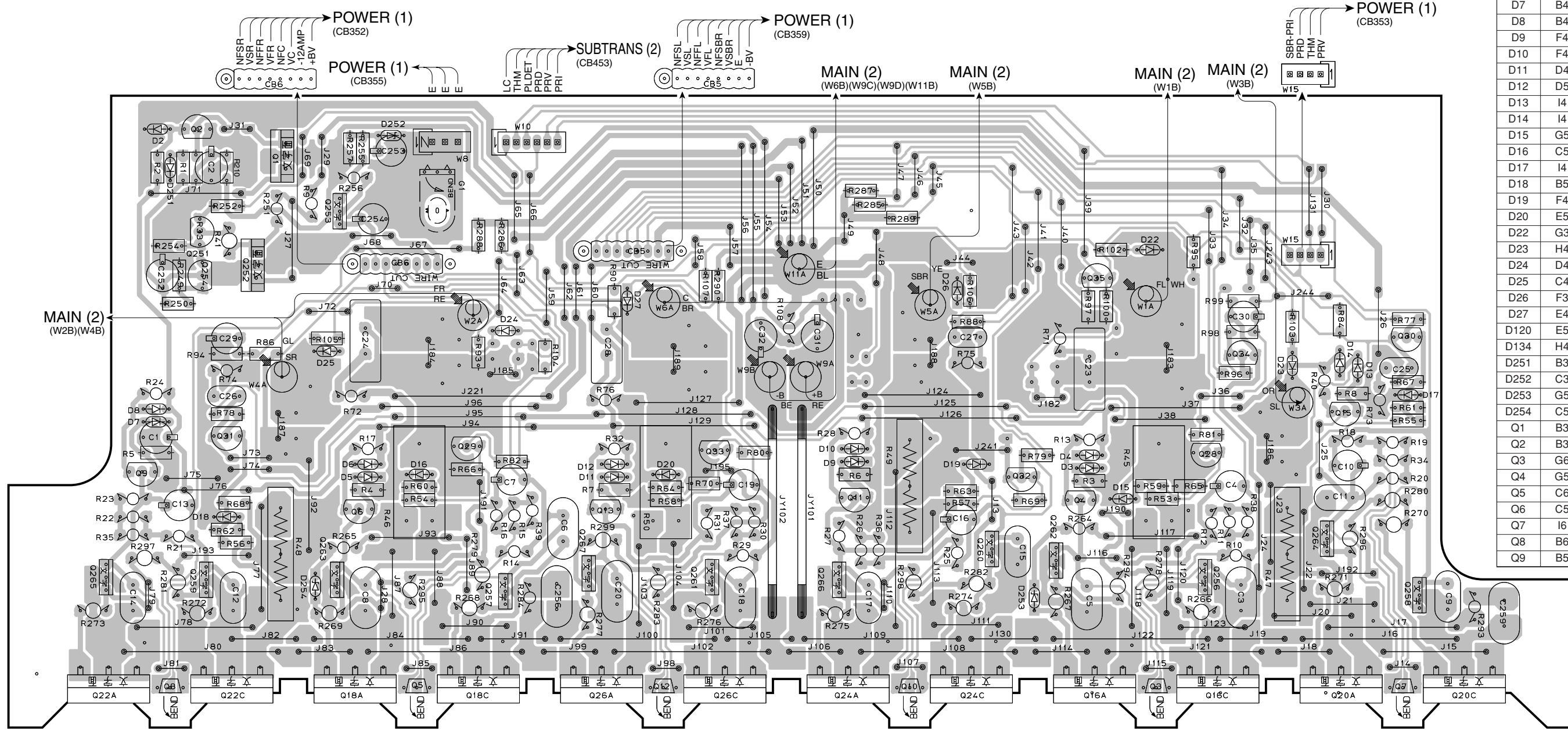


OPERATION (5) P.C.B. (Side B) Lead Free Solder Used



PRINTED CIRCUIT BOARD Lead Free Solder Used

MAIN (1) P.C.B. (Side A)



• Semiconductor Location

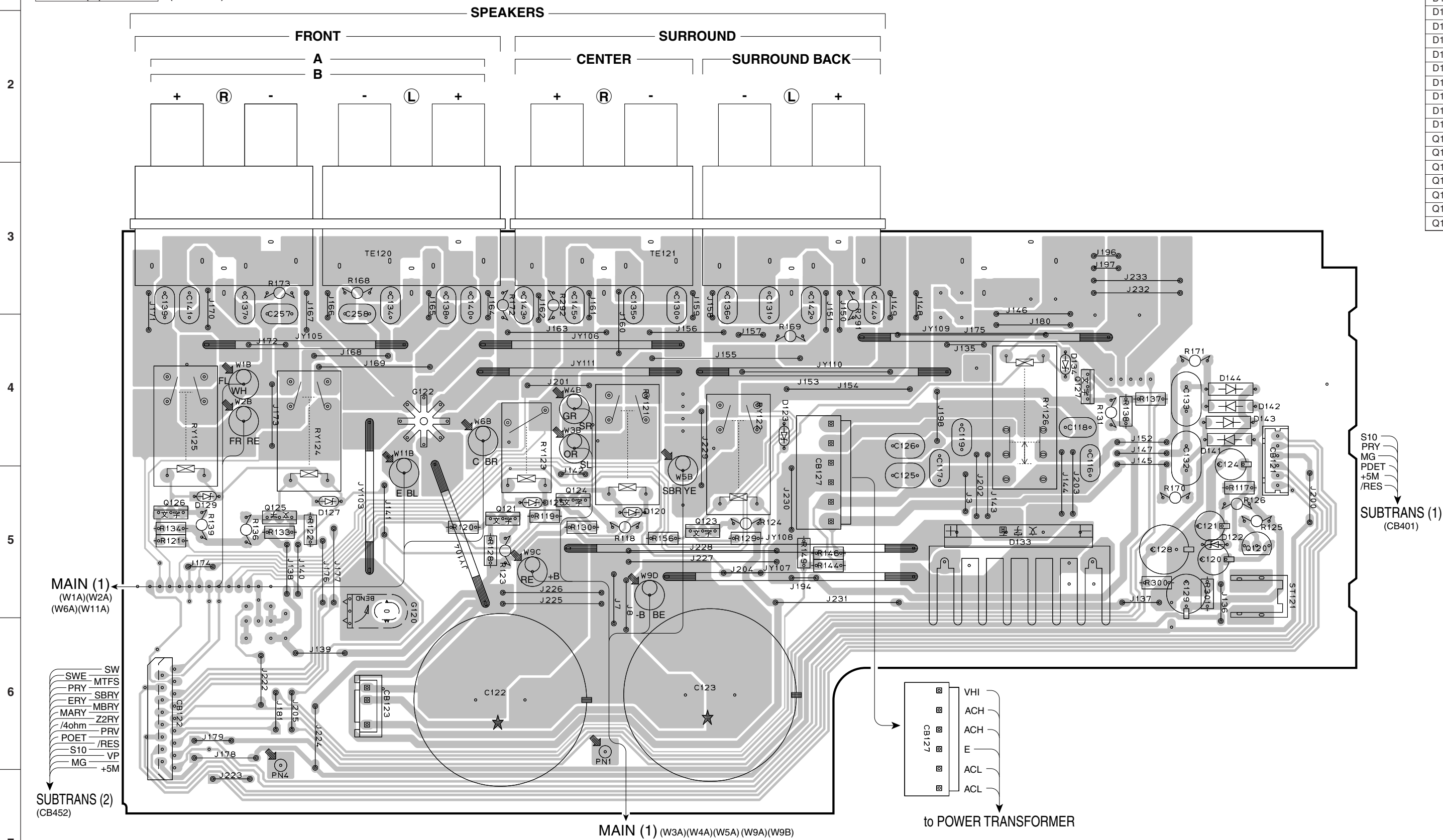
Ref. No.	Location	Ref. No.	Location
D2	B3	Q10	F6
D3	G4	Q11	F5
D4	G4	Q12	E6
D5	C5	Q13	D5
D6	C4	Q15	I4
D7	B4	Q16A	G6
D8	B4	Q16C	H6
D9	F4	Q18A	C6
D10	F4	Q18C	D6
D11	D4	Q20A	H6
D12	D5	Q20C	I6
D13	I4	Q22A	A6
D14	I4	Q22C	B6
D15	G5	Q24A	F6
D16	C5	Q24C	F6
D17	I4	Q26A	D6
D18	B5	Q26C	E6
D19	F4	Q28	H4
D20	E5	Q29	D4
D22	G3	Q30	I4
D23	H4	Q31	B4
D24	D4	Q32	G5
D25	C4	Q33	E4
D26	F3	Q34	H4
D27	E4	Q35	G3
D120	E5	Q251	B3
D134	H4	Q252	B3
D251	B3	Q253	C3
D252	C3	Q254	B3
D253	G5	Q256	H5
D254	C5	Q257	D5
Q1	B3	Q258	I5
Q2	B3	Q259	B5
Q3	G6	Q260	G5
Q4	G5	Q261	E5
Q5	C6	Q262	G5
Q6	C5	Q263	C5
Q7	I6	Q264	H5
Q8	B6	Q265	B5
Q9	B5	Q266	F5
		Q267	D5

**PRINTED CIRCUIT BOARD** Lead Free Solder Used

MAIN (2) P.C.B. (Side A)

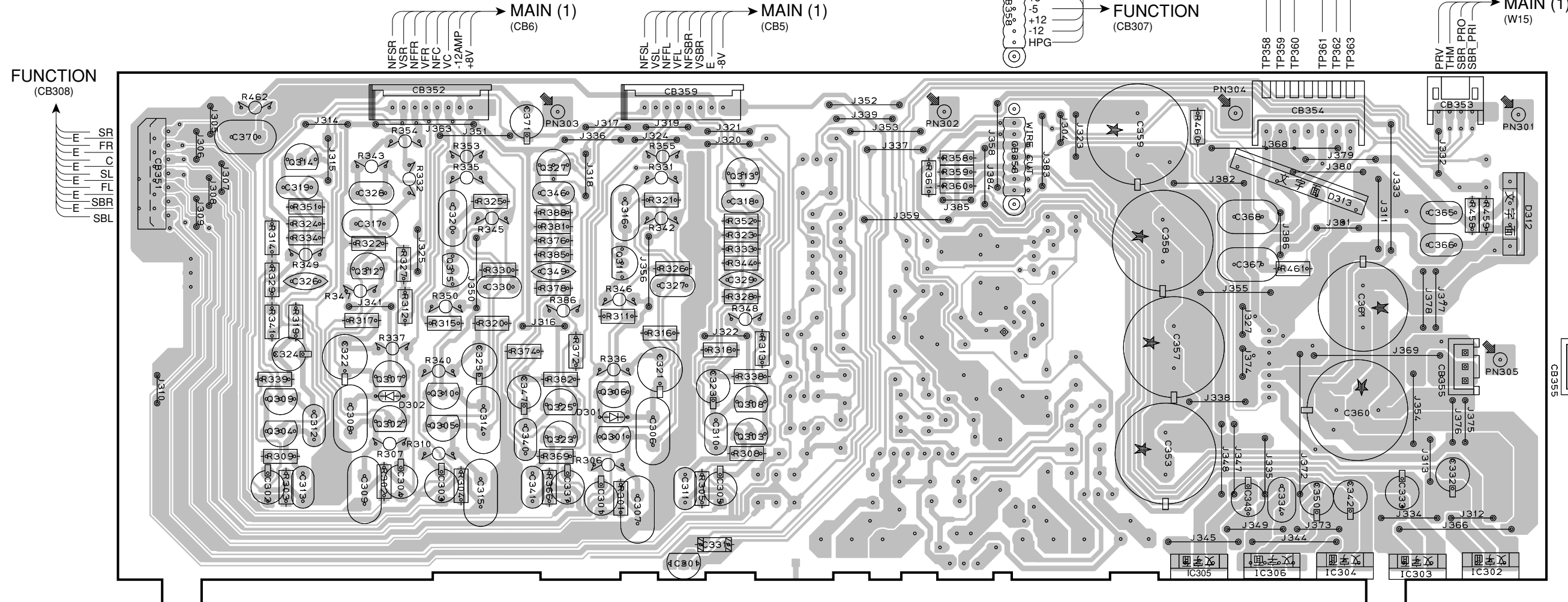
• Semiconductor Location

Ref. No.	Location
D122	I5
D123	F4
D125	D5
D127	C5
D129	B5
D133	G5
D141	I4
D142	I4
D143	I4
D144	I4
Q120	I5
Q121	D5
Q123	E5
Q124	D5
Q125	B5
Q126	B5
Q127	H4



**PRINTED CIRCUIT BOARD** Lead Free Solder Used

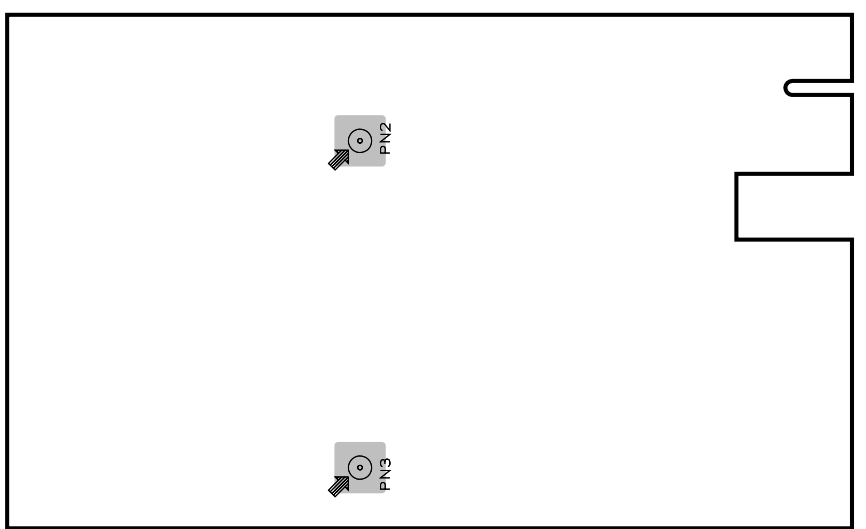
**POWER (1) P.C.B. (Side A)**



**Semiconductor Location**

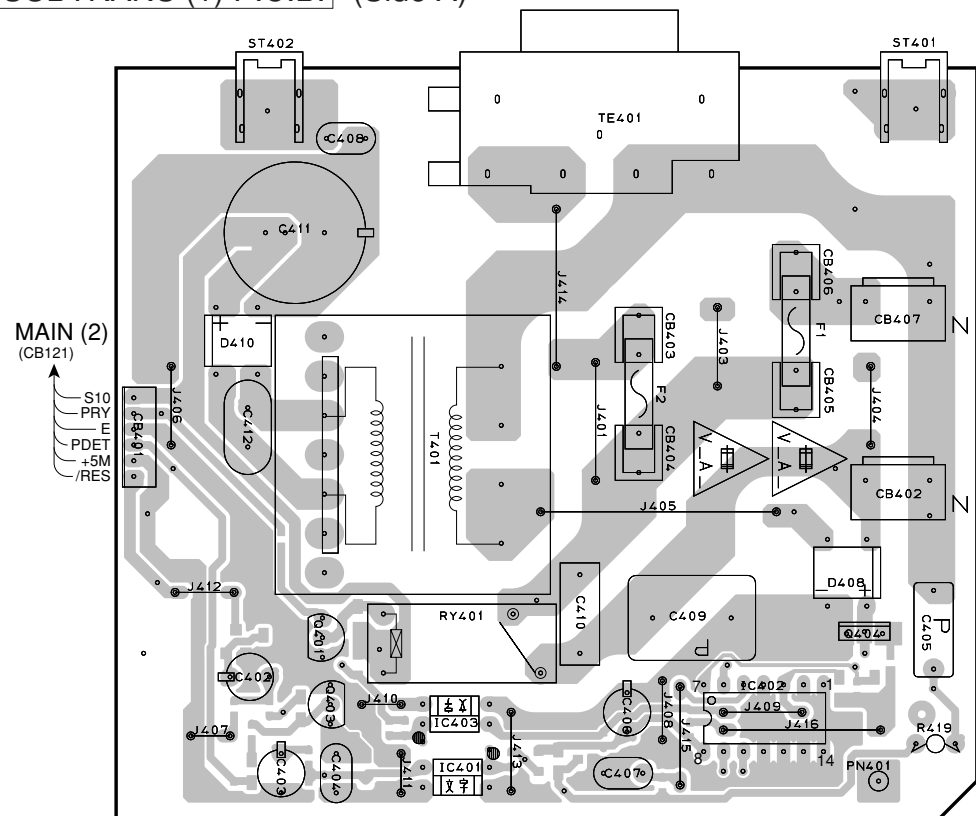
Ref. No.	Location
D301	D4
D302	C4
D312	I3
D313	H2
IC301	D5
IC302	I5
IC303	I5
IC304	H5
IC305	G5
IC306	H5
Q301	D4
Q302	C4
Q303	E4
Q304	B4
Q305	C4
Q306	D4
Q307	C4
Q308	E4
Q309	B4
Q310	C4
Q311	D3
Q312	C3
Q313	E2
Q314	B2
Q315	C3
Q323	D4
Q325	D4
Q327	D2

**POWER (2) P.C.B. (Side A)**

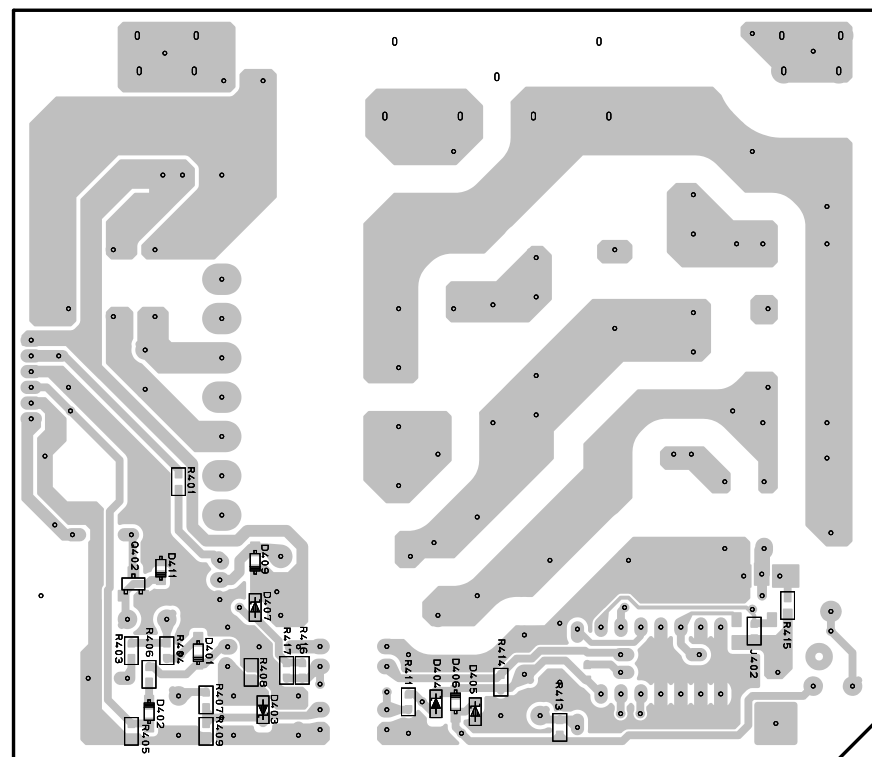


PRINTED CIRCUIT BOARD

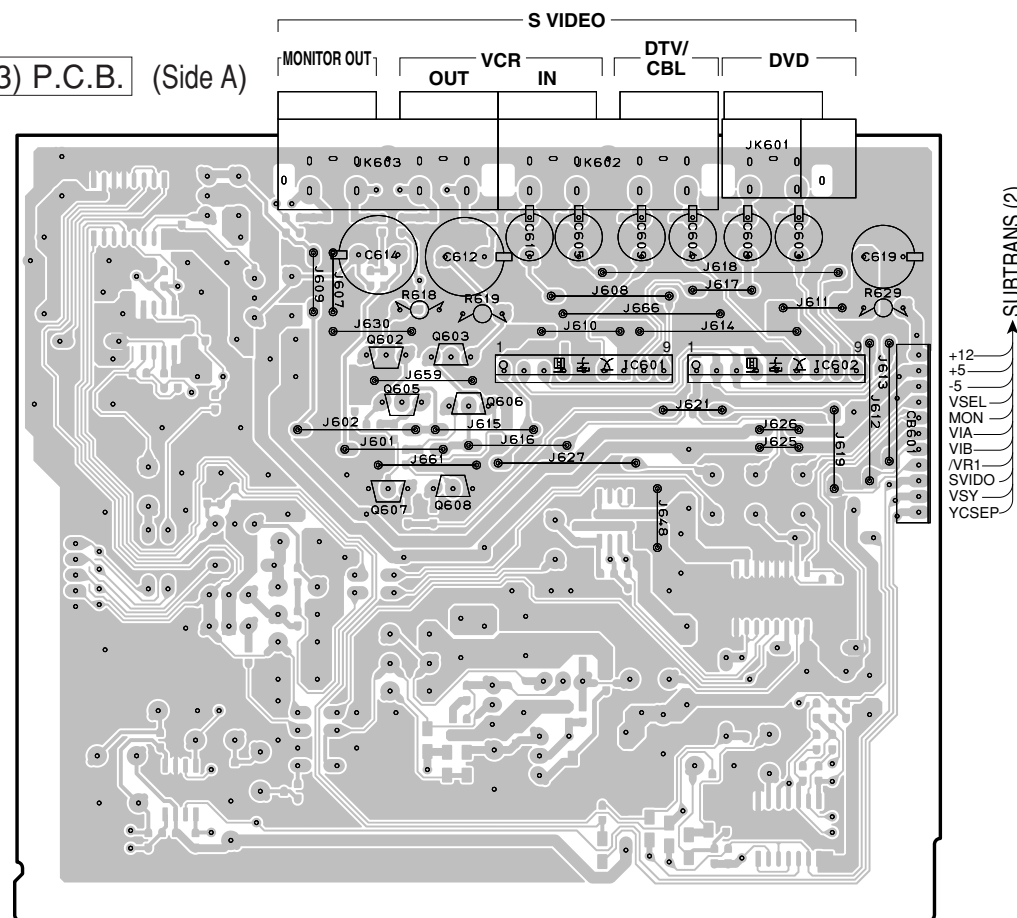
SUBTRANS (1) P.C.B. (Side A)



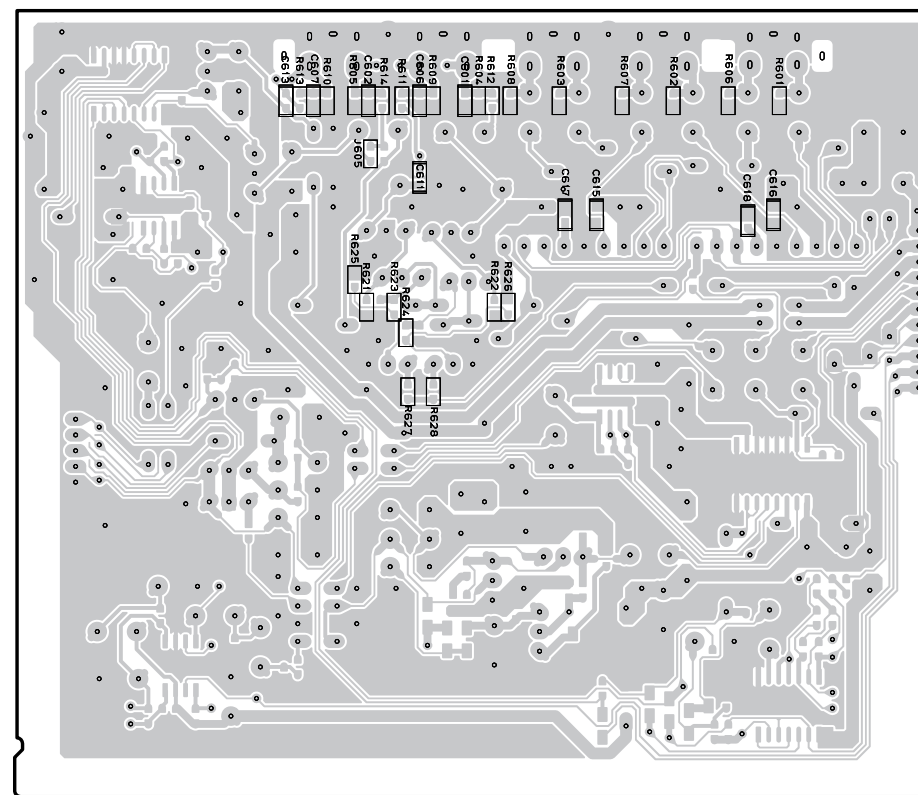
SUBTRANS (1) P.C.B. (Side B) Lead Free Solder Used



SUBTRANS (3) P.C.B. (Side A)



SUBTRANS (3) P.C.B. (Side B) Lead Free Solder Used



Semiconductor Location

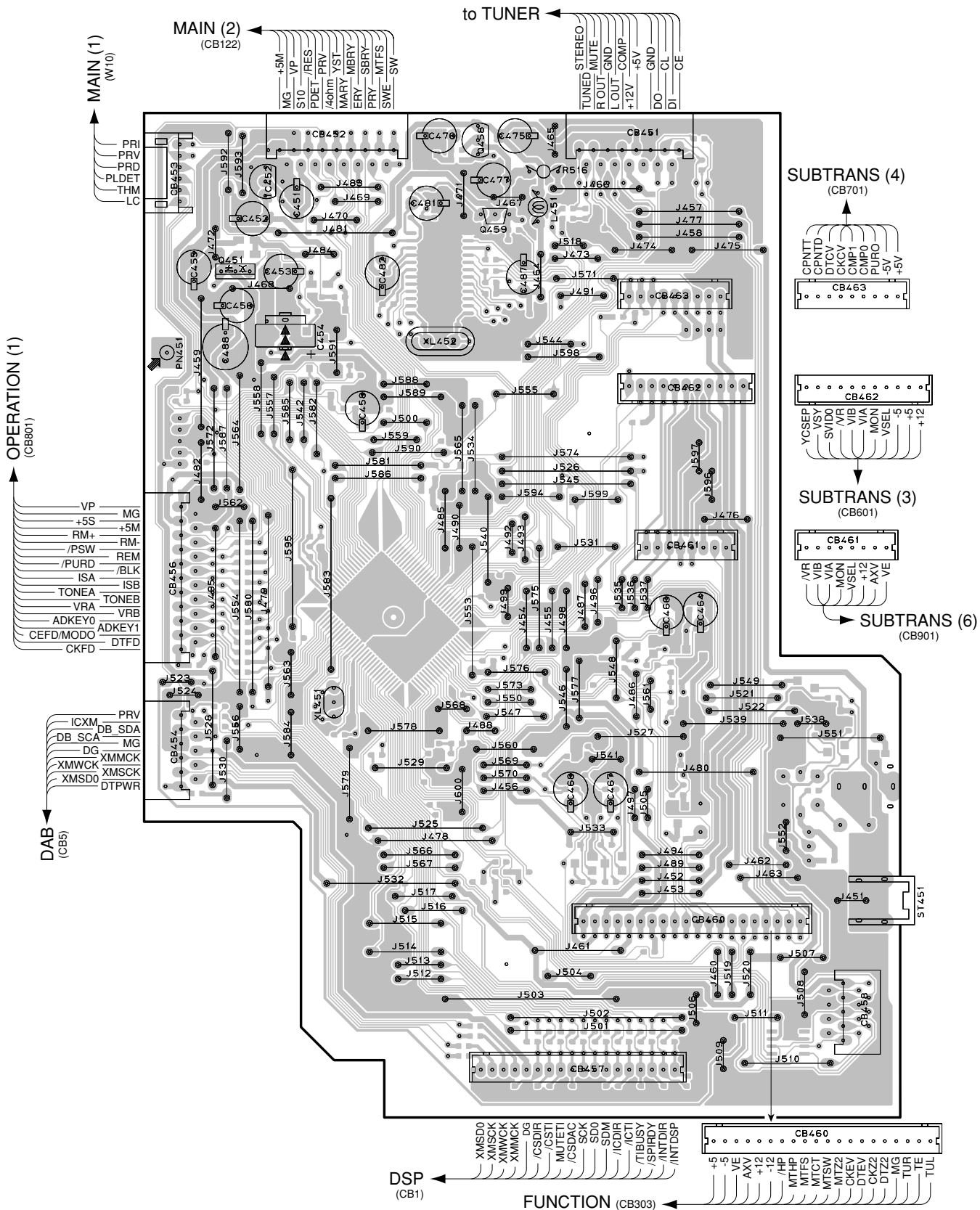
Ref. No.	Location
D401	B7
D402	B7
D403	B7
D404	B7
D405	C7
D406	C7
D407	B7
D408	D3
D409	B7
D410	B3
D411	B7
IC401	B4
IC402	C4
IC403	B4
IC601	H2
IC602	H2
Q401	B4
Q402	B7
Q403	B4
Q404	D4
Q602	G2
Q603	G2
Q605	G2
Q606	G2
Q607	G3
Q608	G3

Circuit No.	B	G
CB403,404	X	O
F2	X	O
J401	O	X

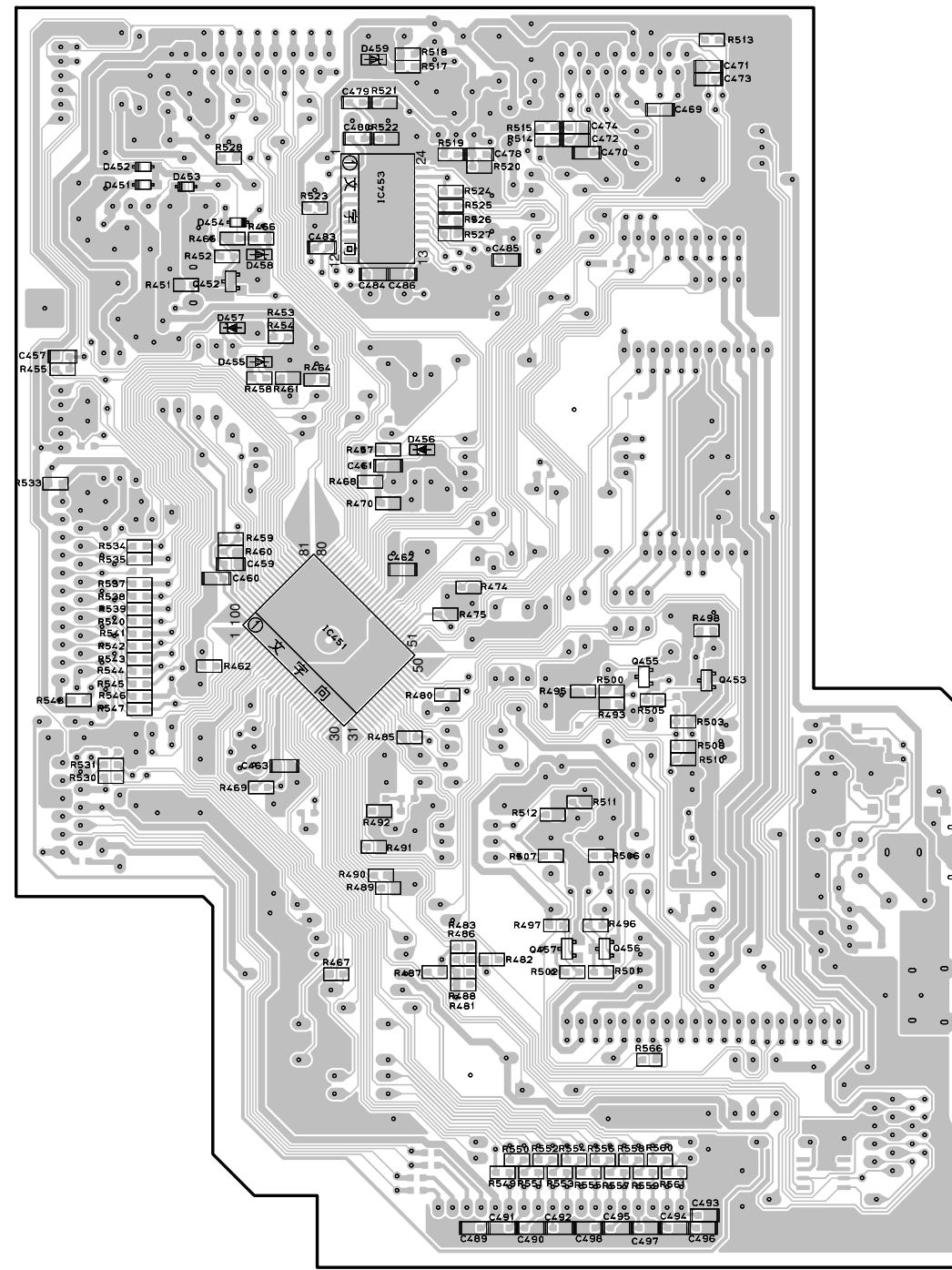
X : NOT USED / O : USED

PRINTED CIRCUIT BOARD

SUBTRANS (2) P.C.B. (Side A)



SUBTRANS (2) P.C.B. (Side B) Lead Free Solder Used



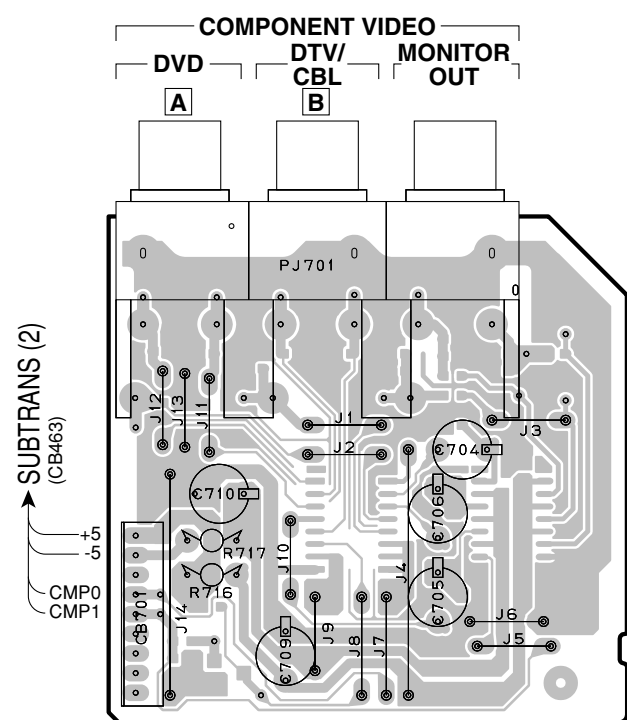
Semiconductor Location

Ref. No.	Location
D451	G3
D452	G3
D453	G3
D454	G3
D455	G3
D456	H4
D457	G3
D458	G3
D459	H2
IC451	G4
IC452	B2
IC453	H3
Q451	B3
Q452	G3
Q453	I4
Q455	I4
Q456	H5
Q457	H5
Q458	C2
Q459	C3

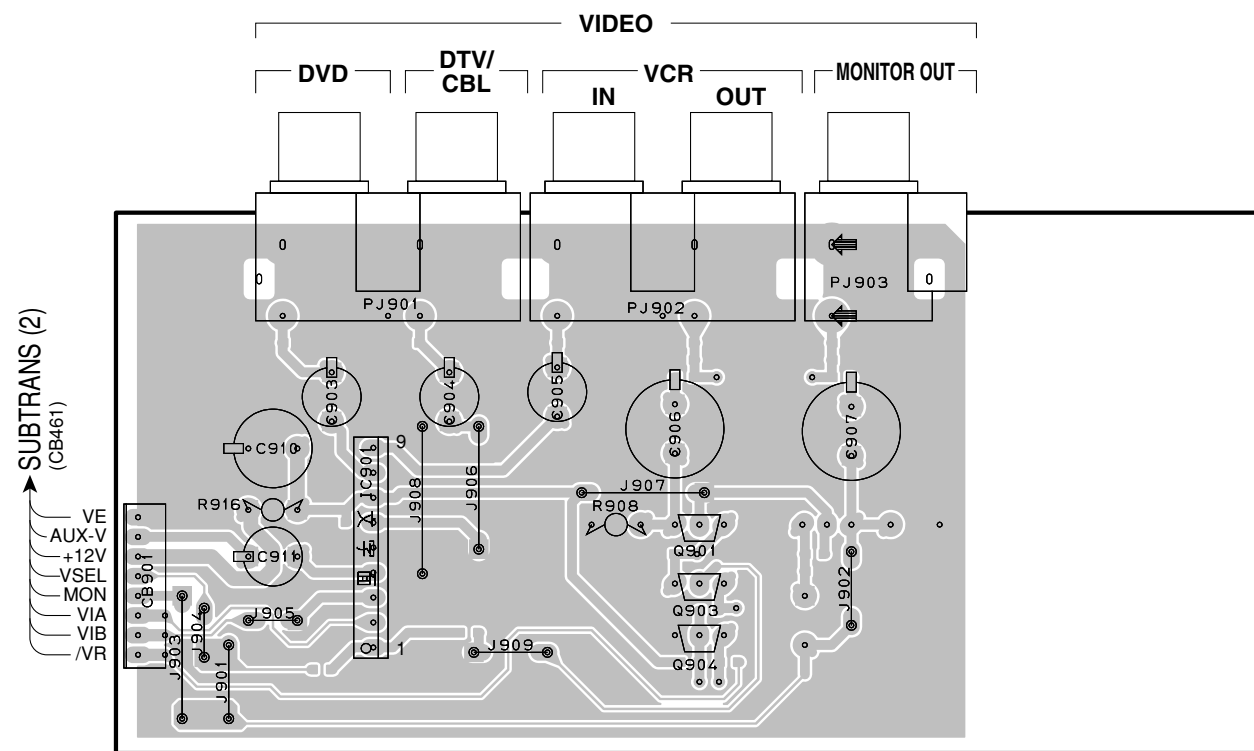


1 ■ PRINTED CIRCUIT BOARD

SUBTRANS (4) P.C.B. (Side A)



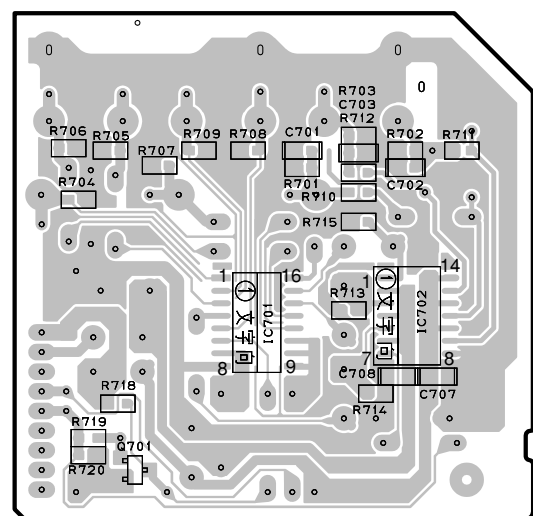
SUBTRANS (6) P.C.B. (Side A)



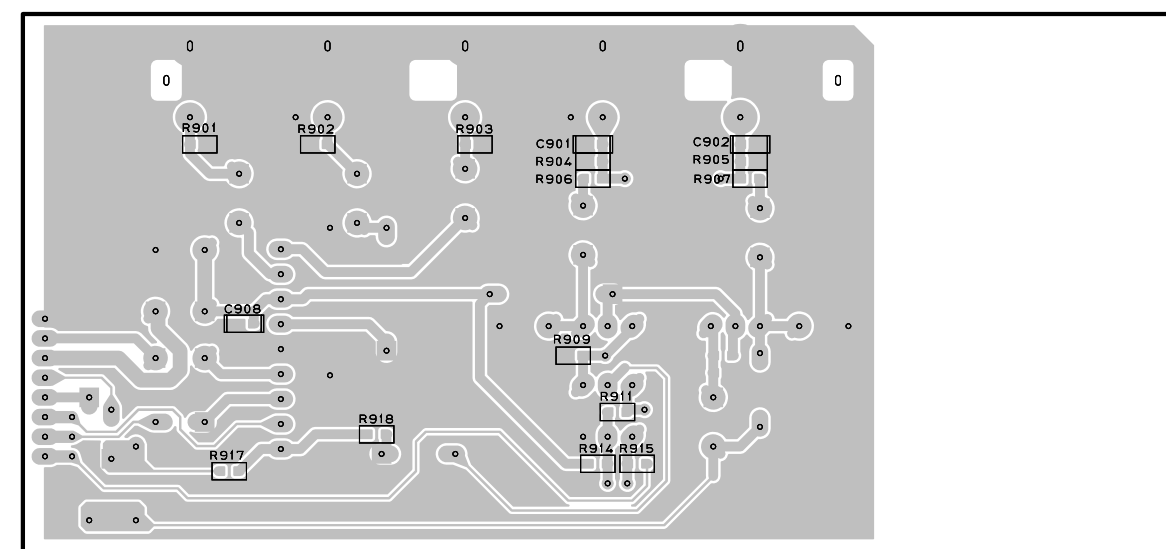
• Semiconductor Location

Ref. No.	Location
IC701	C6
IC702	C6
IC901	G3
Q701	B7
Q901	H3
Q903	H3
Q904	H4

SUBTRANS (4) P.C.B. (Side B) Lead Free Solder Used

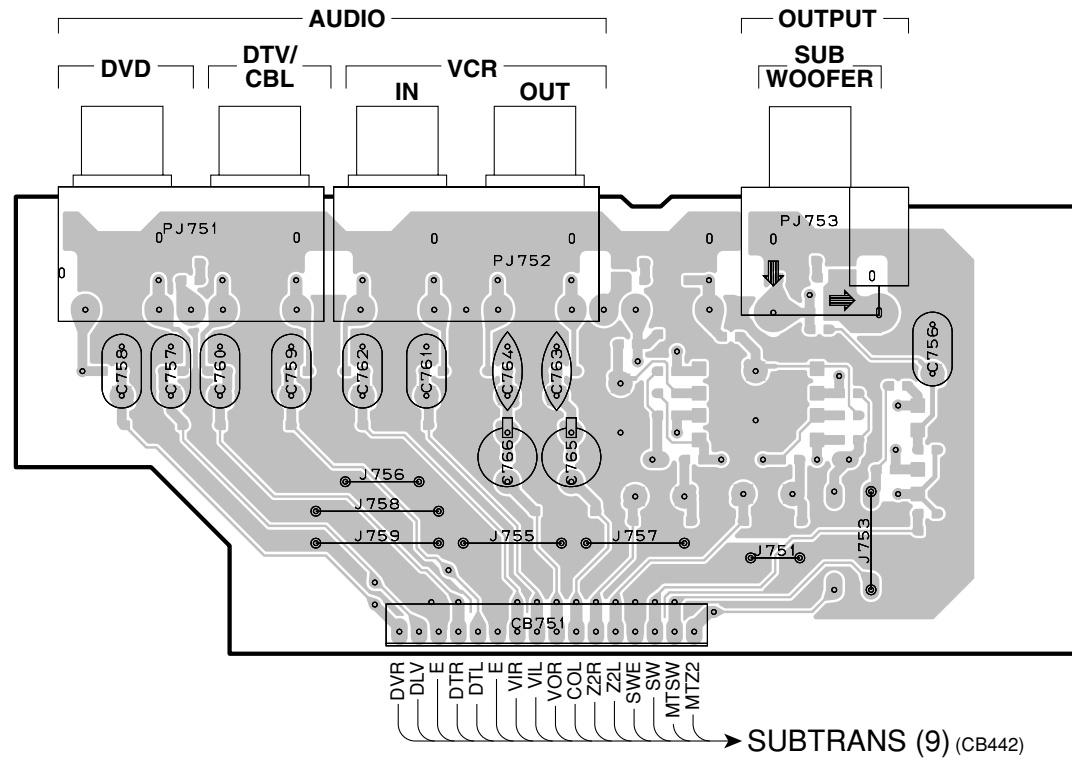


SUBTRANS (6) P.C.B. (Side B) Lead Free Solder Used

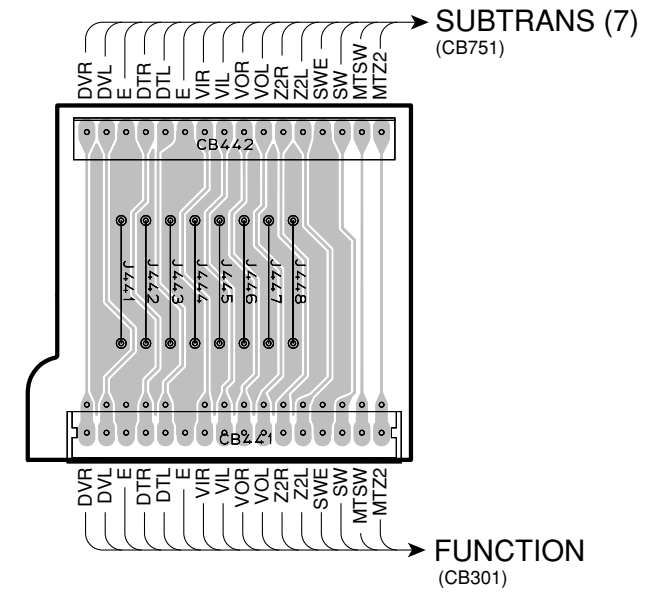


# PRINTED CIRCUIT BOARD

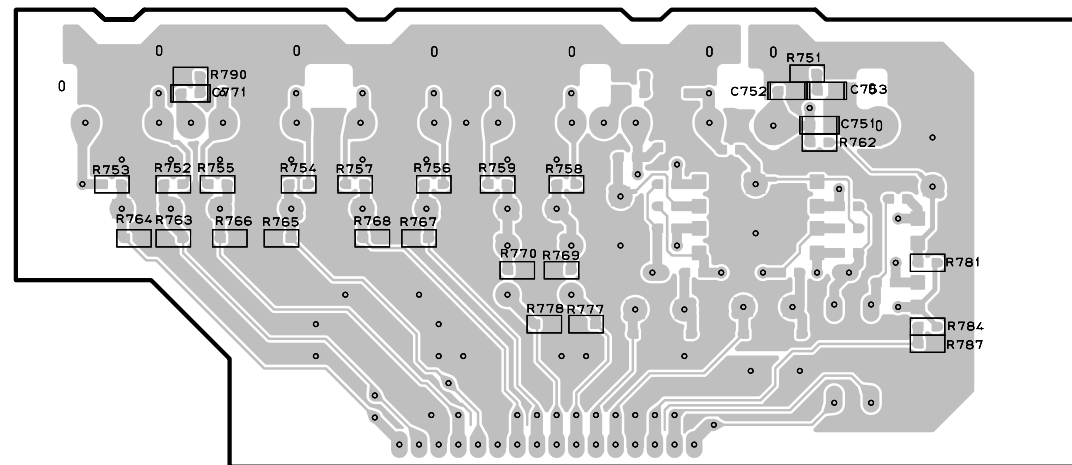
SUBTRANS (7) P.C.B. (Side A)



SUBTRANS (9) P.C.B. (Side A)



SUBTRANS (7) P.C.B. (Side B) Lead Free Solder Used



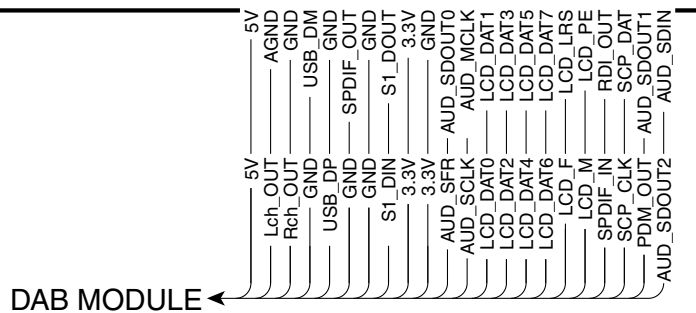
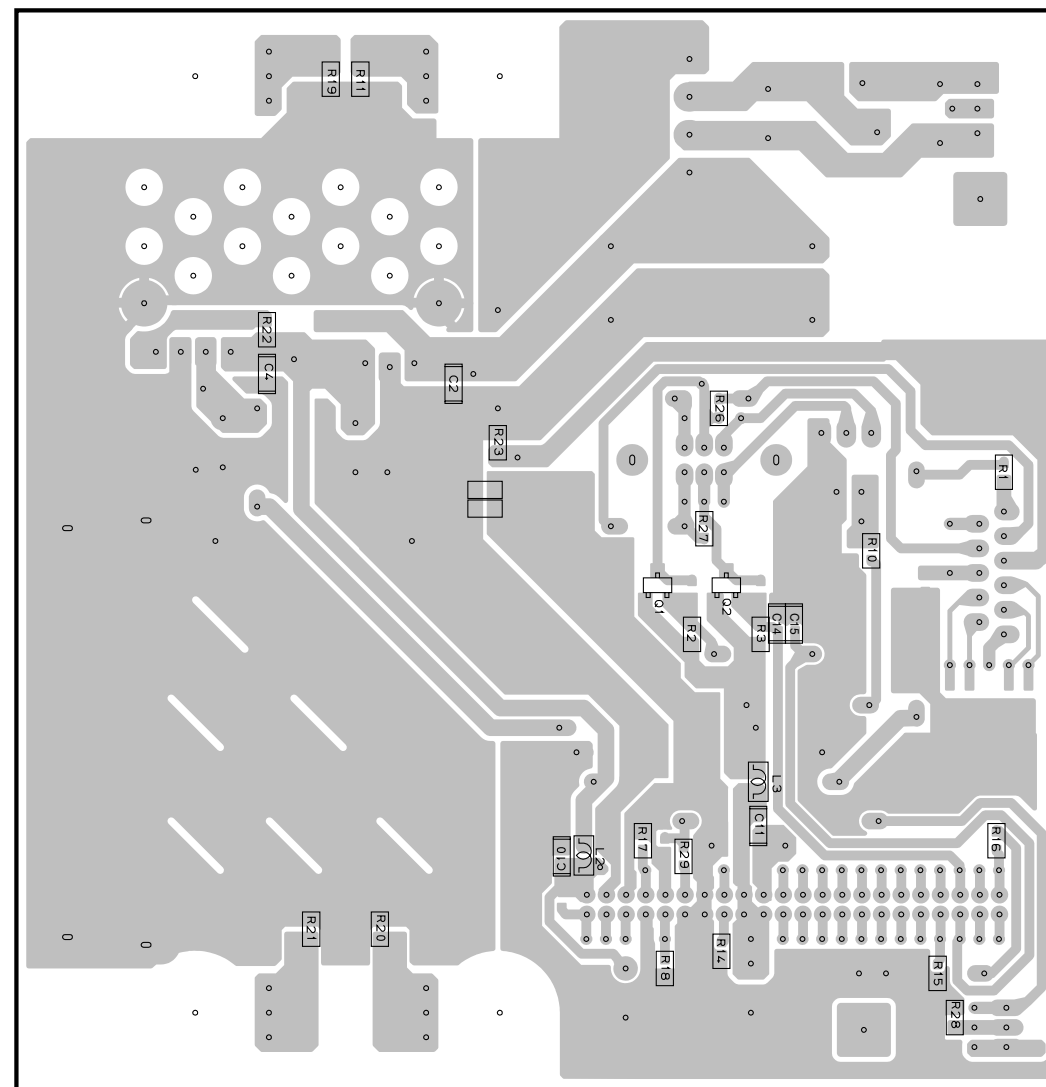
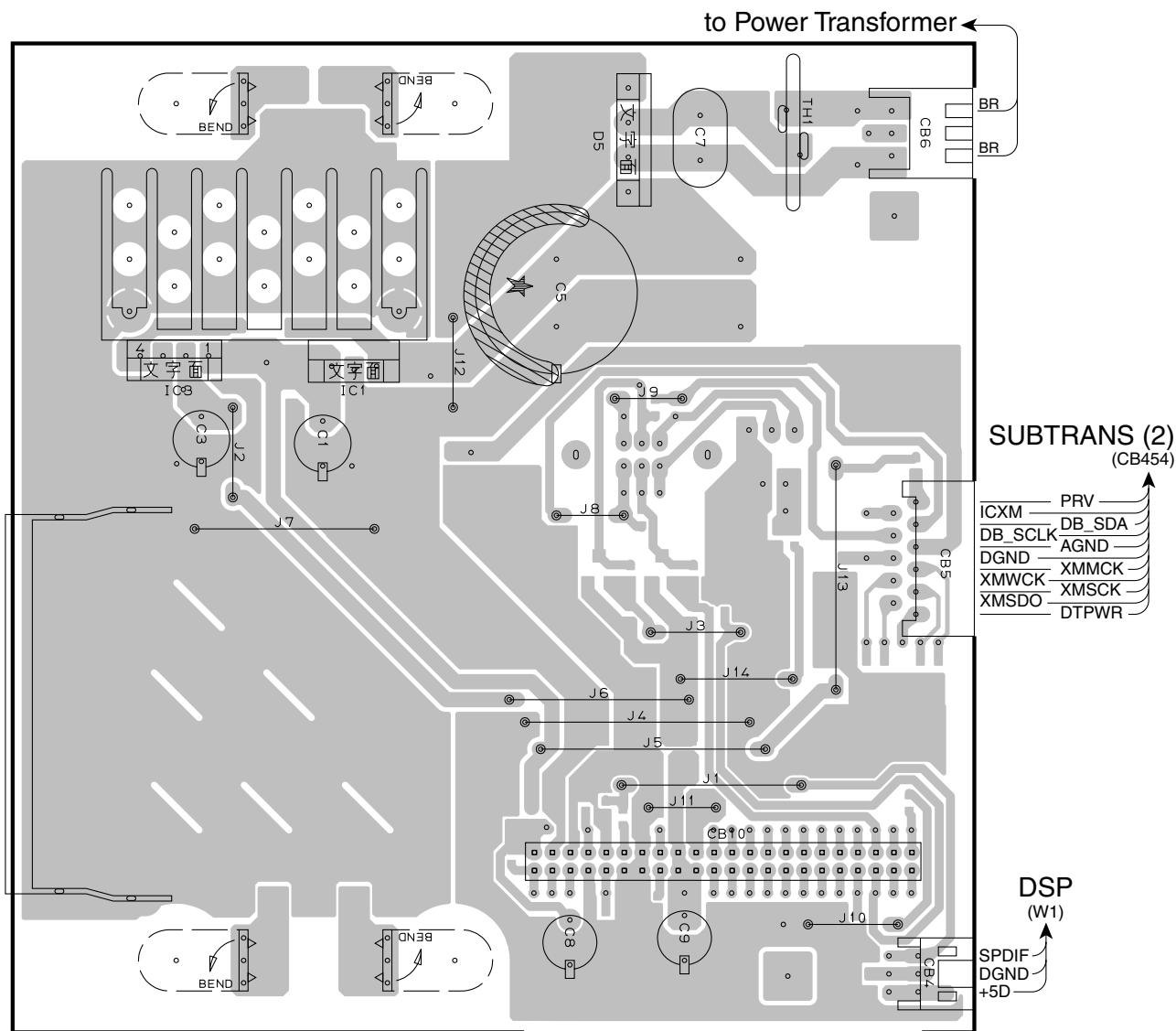
1 ■ PRINTED CIRCUIT BOARD

DAB P.C.B. (Side A)

DSB P.C.B. (Side B) Lead Free Solder Used

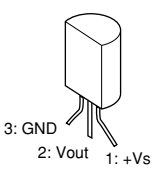
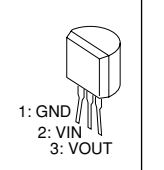
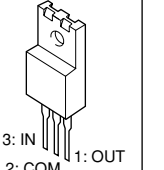
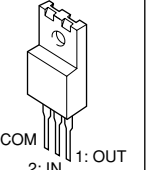
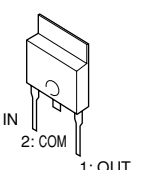
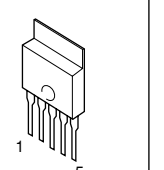
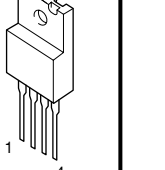
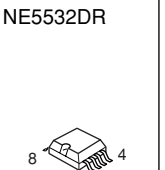
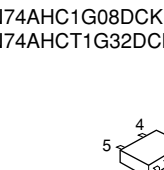

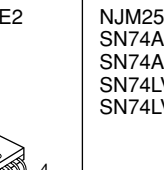
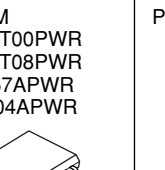
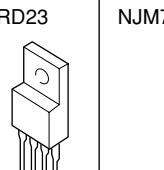
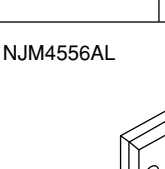
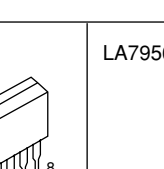
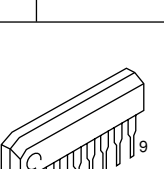
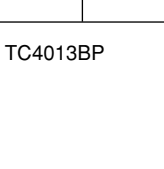
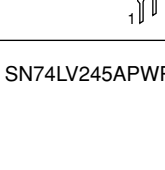
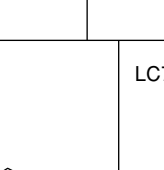
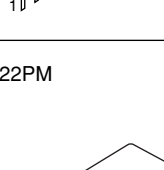
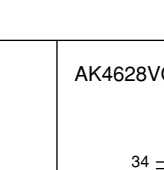
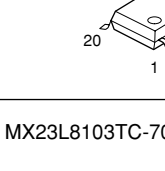
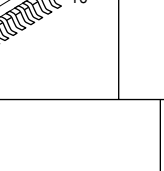
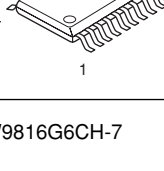
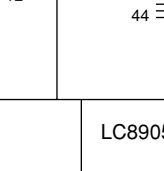
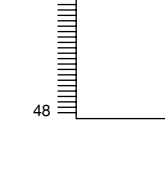
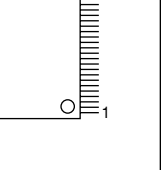
• Semiconductor Location

Ref. No.	Location
D5	C3
IC1	B3
IC3	A3
Q1	H4
Q2	H4

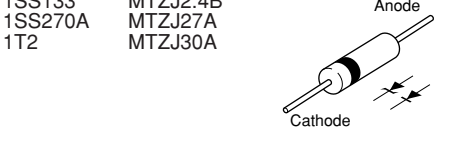
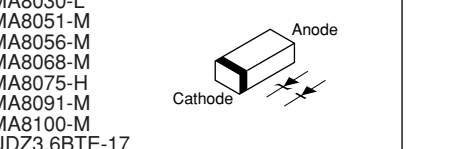
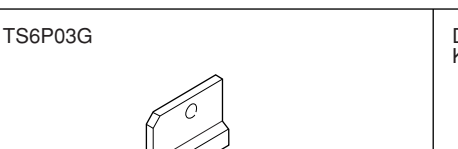
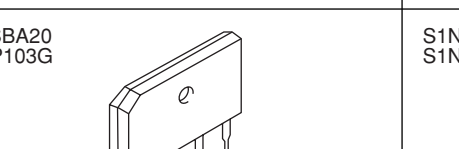




## PIN CONNECTION DIAGRAM

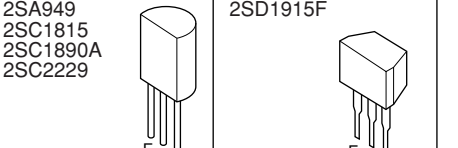

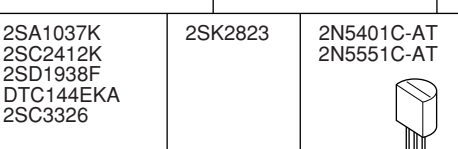
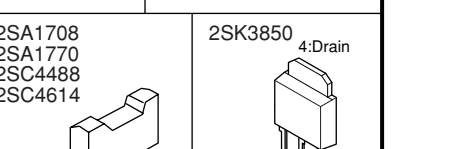
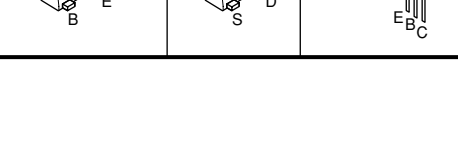
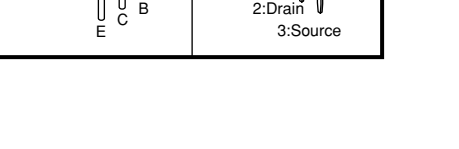



### ICs

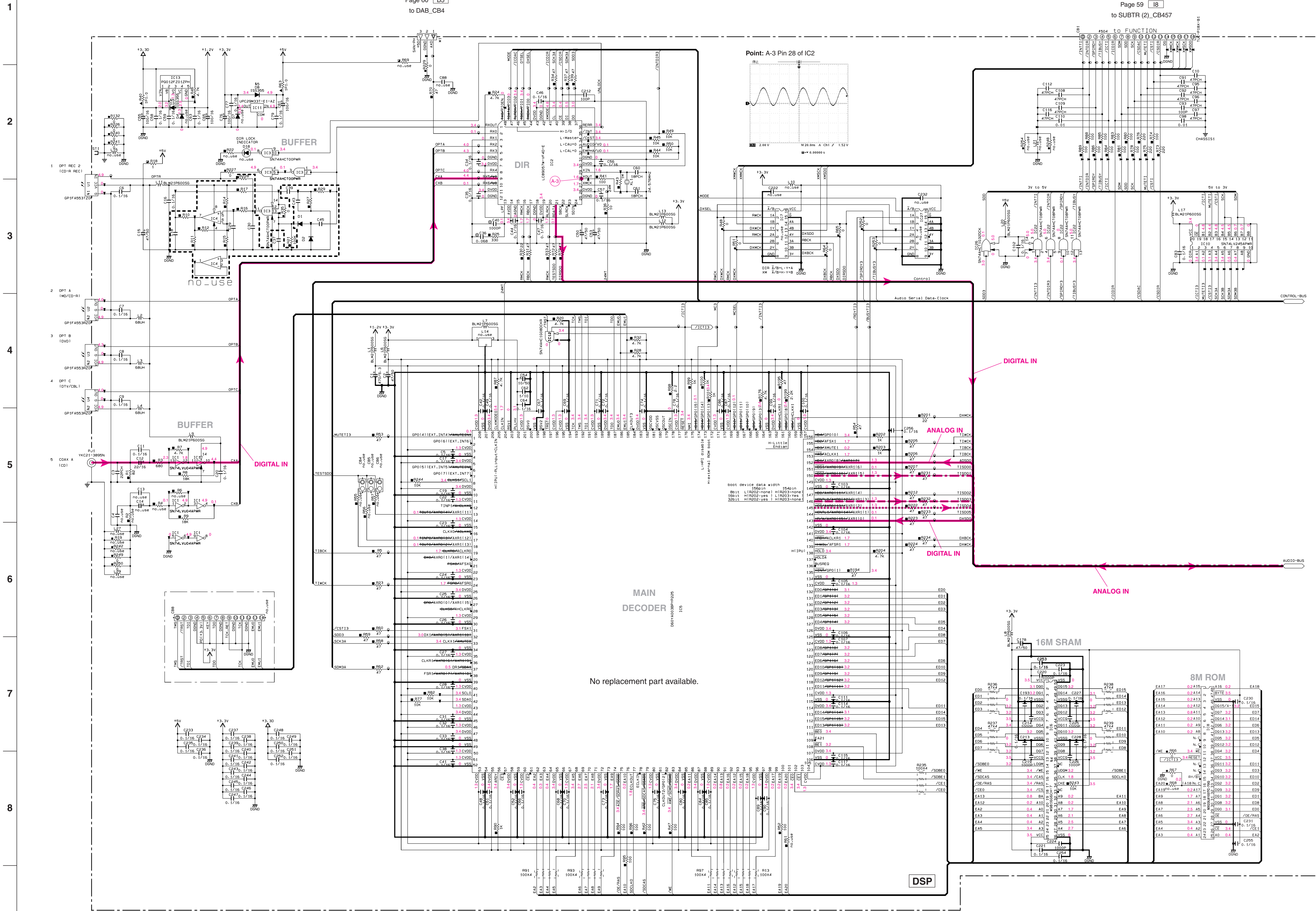
<p>LM61CIZ</p>  <p>3: GND 2: Vout 1: +Vs</p>	<p>NJU7201L55</p>  <p>1: GND 2: VIN 3: VOUT</p>	<p>NJM7805FA NJM7812FA</p>  <p>3: IN 2: COM 1: OUT</p>	<p>NJM79M05FA NJM79M12FA</p>  <p>3: COM 2: IN 1: OUT</p>	<p>μPC29M33T-E1-AZ</p>  <p>3: IN 2: COM 1: OUT</p>	<p>PQ012FZ01ZPH</p>  <p>1 5</p>	<p>NJM2388F</p>  <p>1 4</p>
<p>NE5532DR</p>  <p>8 1 4</p>	<p>SN74AHC1G08DCKR SN74AHC1G32DCKR</p>  <p>5 4 3 1</p>	<p>NJM2068MD-TE2</p>  <p>8 1 4</p>	<p>NJM2581M SN74AHCT00PWR SN74AHCT08PWR SN74LV157APWR SN74LVU04APWR</p>  <p>14 1 7</p>	<p>PQ3RD23</p>  <p>1 4</p>	<p>NJM78M05DL1A</p>  <p>1 3</p>	
<p>NJM4556AL</p>  <p>1 8</p>	<p>LA7956</p>  <p>1 9</p>	<p>TC4013BP</p>  <p>14 1 7</p>	<p>TC74HC4053AF</p>  <p>16 1 8</p>			
<p>SN74LV245APWR</p>  <p>20 1 10</p>	<p>LC72722PM</p>  <p>24 1 12</p>	<p>AK4628VQ</p>  <p>33 23 22 34 44 1 11 12</p>	<p>BD3816K1</p>  <p>64 41 40 65 80 1 24 25</p>			
<p>MX23L8103TC-70G</p>  <p>25 24 48 1</p>	<p>W9816G6CH-7</p>  <p>50 26 25 1</p>	<p>LC89057W-VF4D-E</p>  <p>24 13 12 25 36 1 37 48</p>	<p>M66003-0131FP</p>  <p>48 33 32 49 64 1 16 17</p>			
<p>D60YA003BPYP225</p>  <p>156 105 104 157 208 1 52 53</p>	<p>M30626FHPF</p>  <p>80 51 50 81 100 1 30 31</p>					

### Diodes

<p>1N4002S 1SS133 1SS270A 1T2</p>  <p>Anode Cathode</p>	<p>MTZJ15A MTZJ2.4B MTZJ27A MTZJ30A</p>  <p>Anode Cathode</p>	<p>1SS355 MA8030-L MA8051-M MA8056-M MA8068-M MA8075-H MA8091-M MA8100-M UDZ3.6BTE-17</p>  <p>Anode Cathode</p>	<p>SB01-05Q</p>  <p>C N A</p>
<p>TS6P03G</p>  <p>+ ~ ~ ~ ~ ~ ~ ~</p>	<p>D3SBA20 KBP103G</p>  <p>+ ~ ~ ~ ~ ~ ~ ~</p>	<p>S1NB20 S1NB60</p>  <p>+ ~ ~ ~ ~ ~ ~ ~</p>	

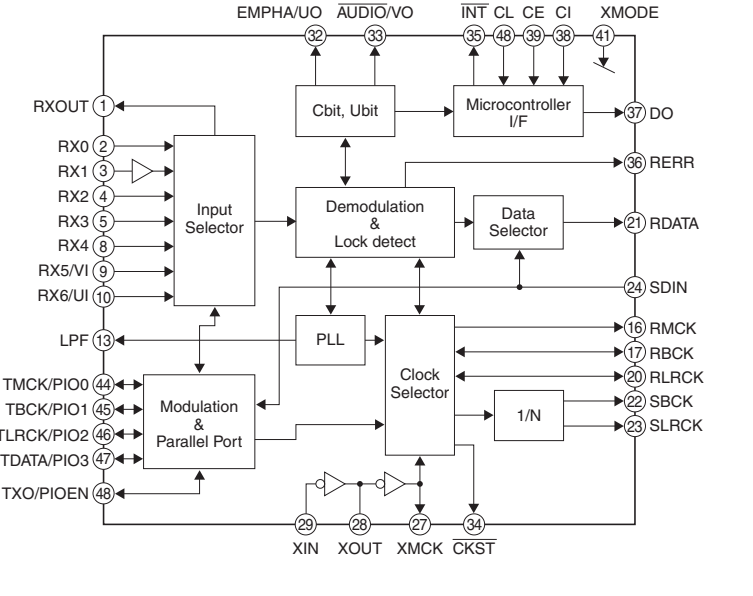
### Transistors

<p>2SA1015 2SA949 2SC1815 2SC1890A 2SC2229</p>  <p>E C B</p>	<p>2SC1740S 2SD1915F</p>  <p>E C B</p>	<p>2SB1274</p>  <p>B C E</p>	<p>2SA1695 2SC4468</p>  <p>B C E</p>
<p>2SA1037K 2SC2412K 2SD1938F DTC144EKA 2SC3326</p>  <p>C B E</p>	<p>2SK2823</p>  <p>G S D</p>	<p>2N5401C-AT 2N5551C-AT</p>  <p>E B C</p>	<p>2SA1708 2SA1770 2SC4488 2SC4614</p>  <p>E C B</p>
<p>2SK3850</p>  <p>1: Gate 2: Drain 3: Source 4: Drain</p>			

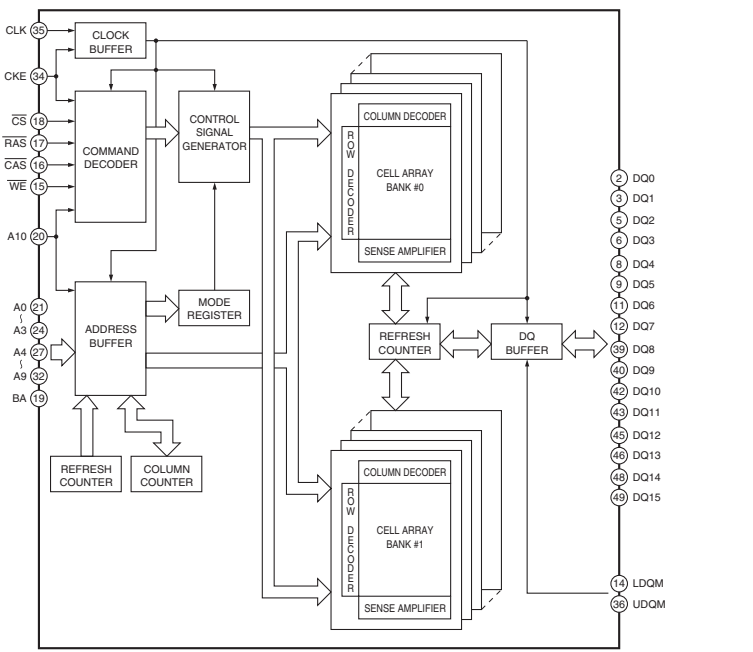


No replacement part available.

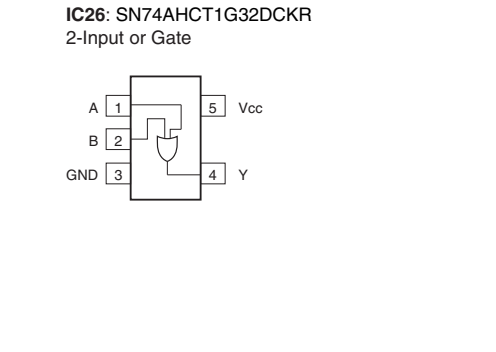
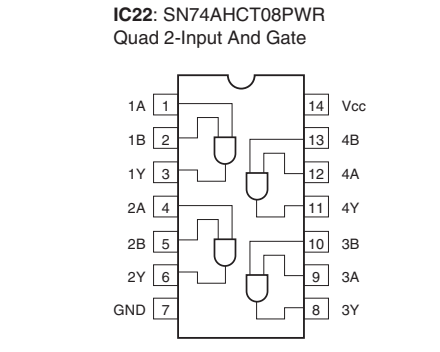
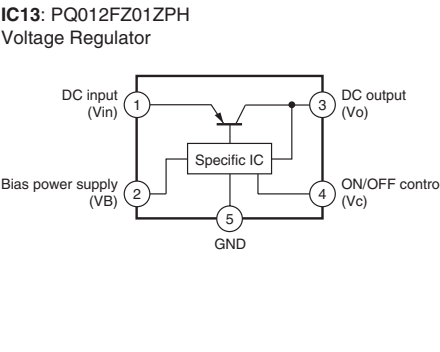
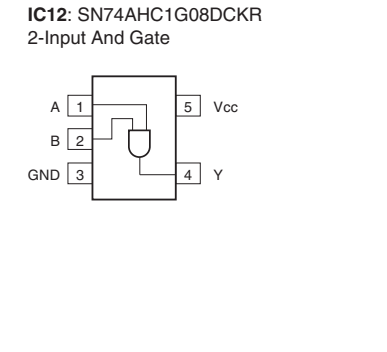
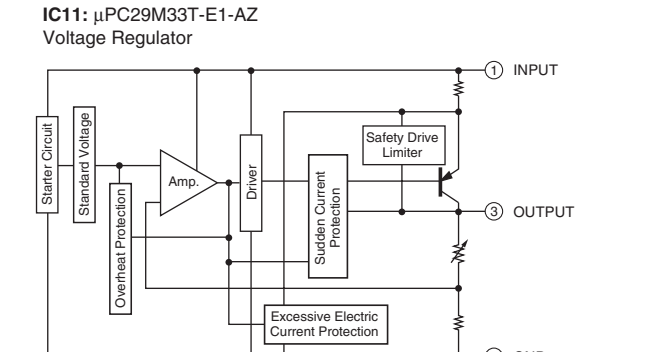
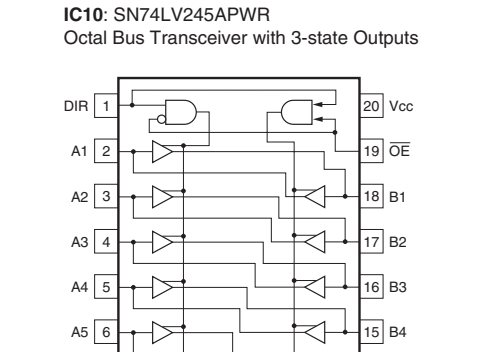
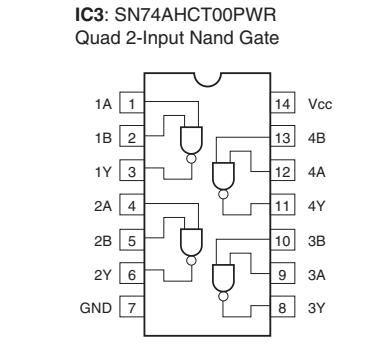
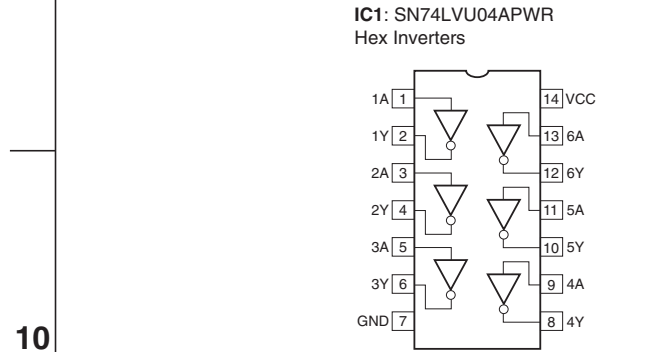
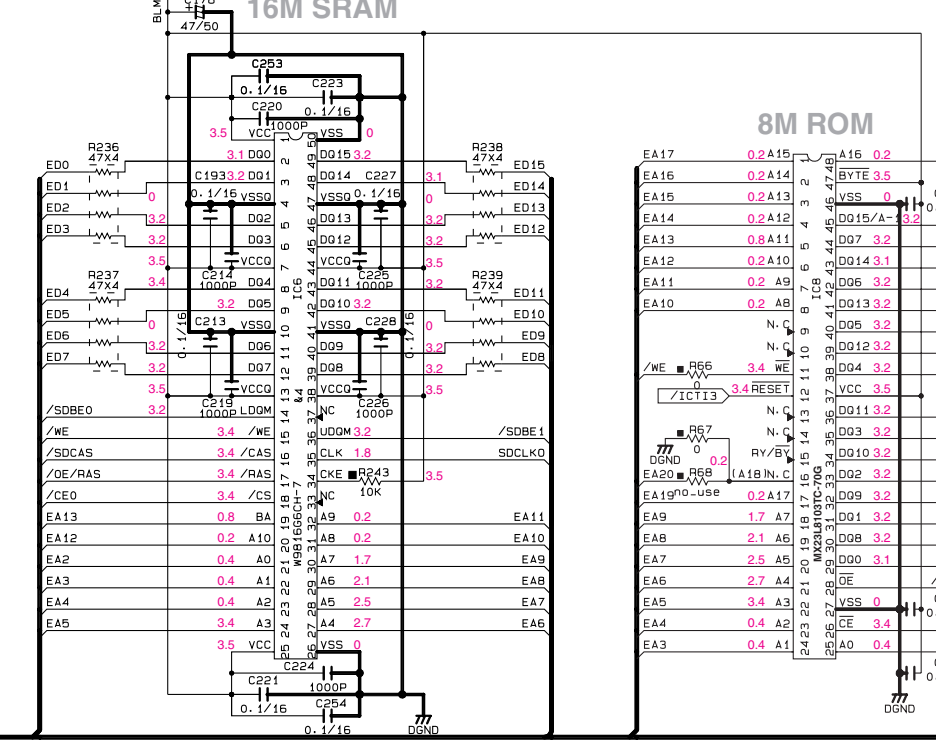
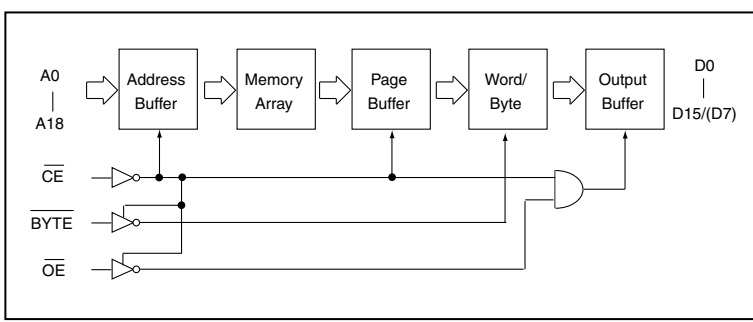
IC2: LC89057W-VF4D-E Digital Audio Interface Transceiver



IC6: W9816G6CH-7 512K x 2 Banks x 16 Bits SDRAM



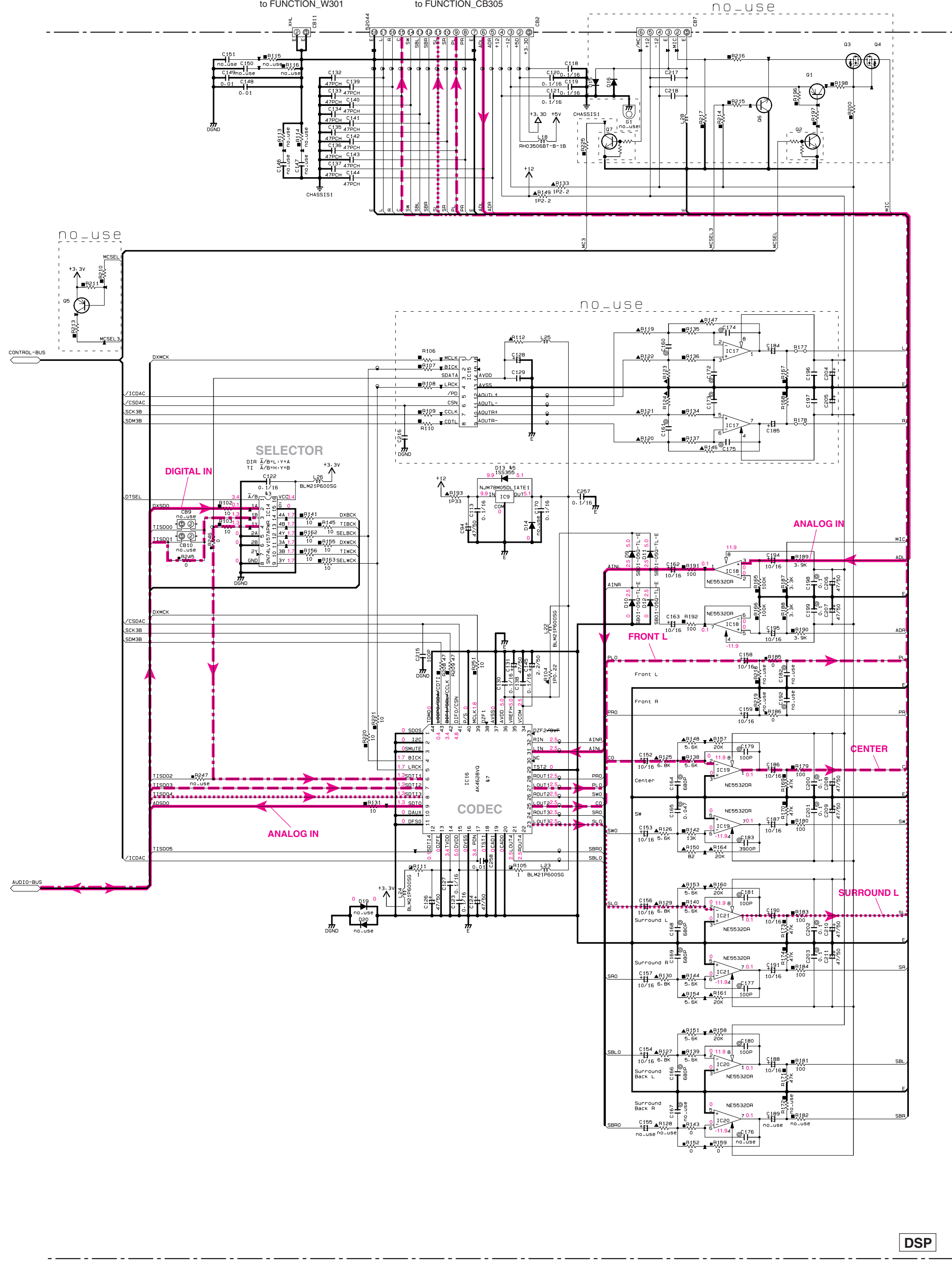
IC8: MX23L8103TC-70G 8M-bit MASK ROM



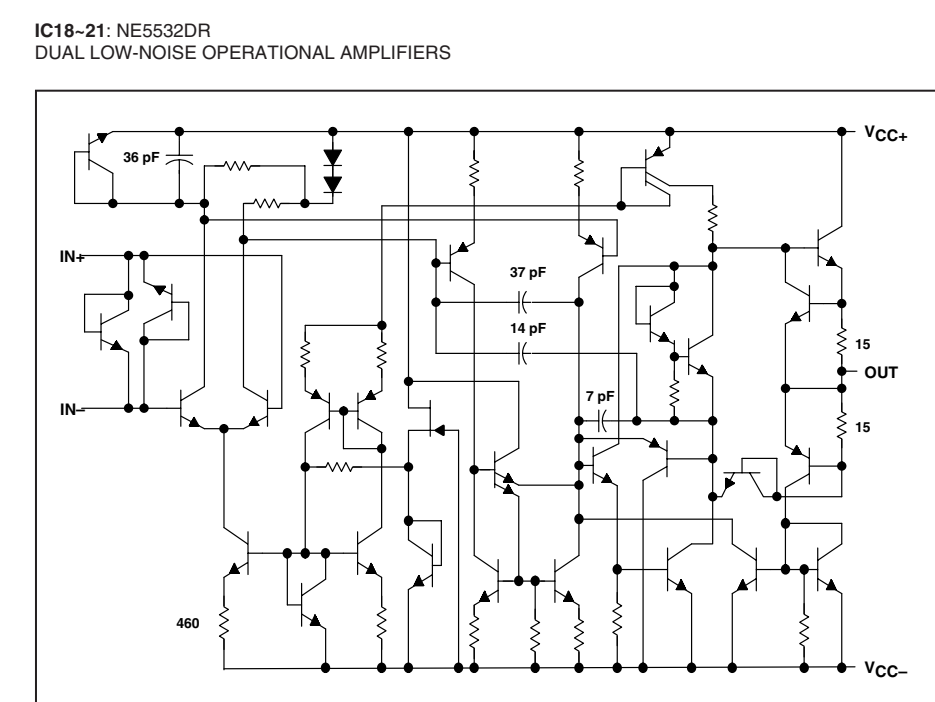
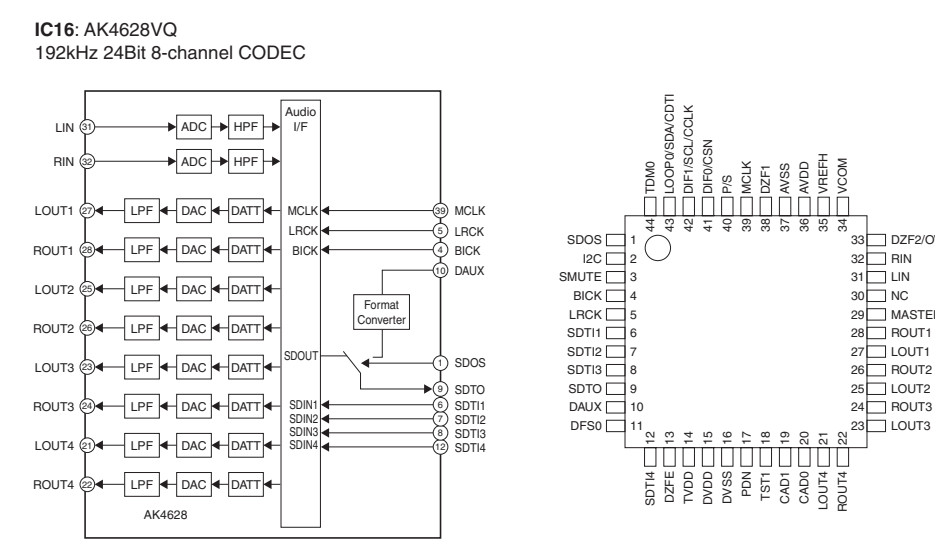
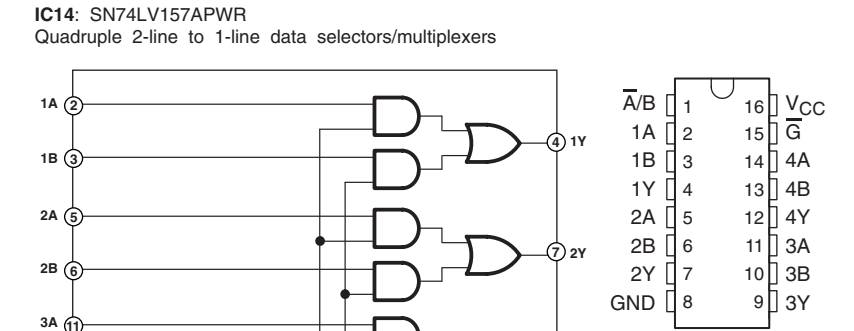
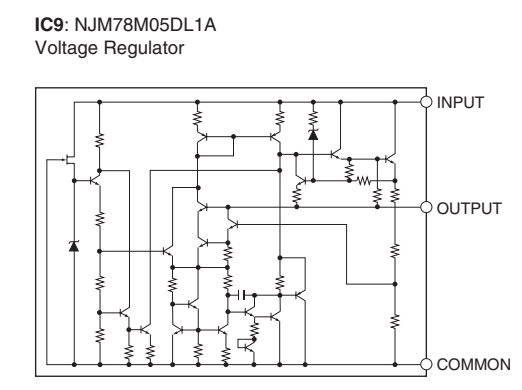
★ All voltages are measured with a 10MΩ/V DC electronic volt meter.  
 ★ Components having special characteristics are marked † and must be replaced with parts having specifications equal to those originally installed.  
 ★ Schematic diagram is subject to change without notice.

Page 55 [B1]  
 to FUNCTION\_W301

Page 55 [E1]  
 to FUNCTION\_CB305



DSP



Interchangeable Parts at Manufacture-Stage

Mark	Reference Parts Number	Parts Name
R1	U11	OPF4851Z 10FK179 10FK177
R2	U2-4	OPF4853RZ 10FK179 10FK177
R3	IC14	SN74LV157APWR 74VHC157MCK-NF40
R4	IC6	WS81665CH-7 IS42S16100C1-7TL M3L16161-7TL
R5	DS-B-13	ISS509 M4111
R6		
R7	IC16	AK4628VQ AK4628AVQ

CAPACITOR

REMARKS	PARTS NAME	
NO MARK	ELECTROLYTIC CAPACITOR	EF
NO MARK	TANTALUM CAPACITOR	
NO MARK	CERAMIC CAPACITOR	
⊙	CERAMIC TUBULAR CAPACITOR	
○	POLYESTER FILM CAPACITOR	II
○	POLYURETHANE FILM CAPACITOR	
○	MICA CAPACITOR	
⊙	POLYPROPYLENE FILM CAPACITOR	
⊙	SEMICONDUCTIVE CERAMIC CAPACITOR	
⊙	POLYPHENYLENE SULFIDE FILM CAPACITOR	

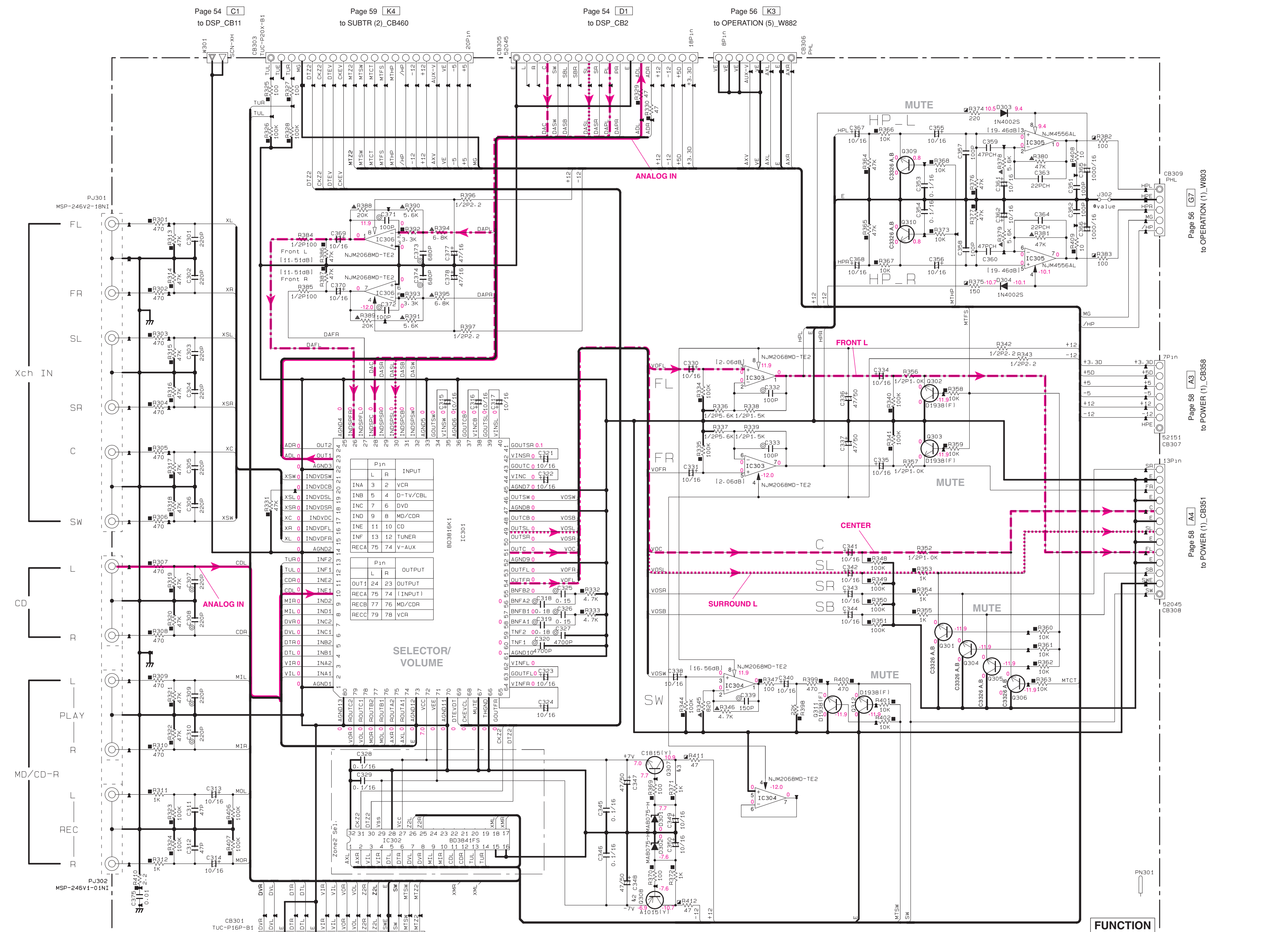
RESISTOR

REMARKS	PARTS NAME
NO MARK	CARBON FILM RESISTOR (D=9)
□	CARBON FILM RESISTOR (D=10)
△	METAL OXIDE FILM RESISTOR
△	METAL FILM RESISTOR
□	METAL PLATE RESISTOR
□	FIRE PROOF CARBON FILM RESISTOR
□	CEMENT MOLDED RESISTOR
⊙	SEMI-VARIABLE RESISTOR
■	CHIP RESISTOR

NOTICE (mode1)  
 (J)..... JAPAN  
 (U)..... U.S.A  
 (C)..... CANADA  
 (R)..... GENERAL  
 (T)..... CHINA  
 (K)..... KOREA  
 (A)..... AUSTRALIA  
 (B)..... BRITISH  
 (G)..... EUROPE  
 (L)..... SINGAPORE  
 (E)..... SOUTH EUROPE  
 (V)..... TAIWAN

\* All voltages are measured with a 10MΩ/V DC electronic volt meter.  
 \* Components having special characteristics are marked with a triangle and must be replaced with parts having specifications equal to those originally installed.  
 \* Schematic diagram is subject to change without notice.

SCHEMATIC DIAGRAM (FUNCTION)



Interchangeable Parts at Manufacture-Stage

Mark	Reference Parts Number	Parts Name
♠1		
♠2	0308	2SA1015(Y) KTA1266
♠3	0307	2SC1815(Y) KTC13198

RESISTOR

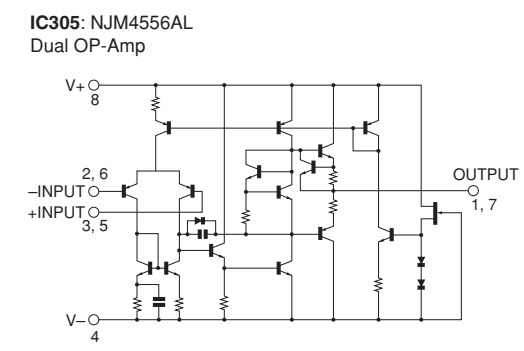
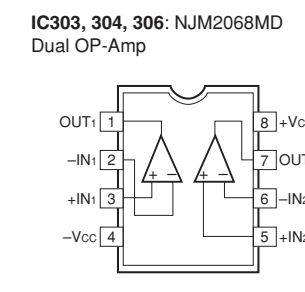
REMARKS	PARTS NAME
NO MARK	CARBON FILM RESISTOR (P=5)
☒	CARBON FILM RESISTOR (P=10)
△	METAL OXIDE FILM RESISTOR
⊠	METAL FILM RESISTOR
⊞	METAL PLATE RESISTOR
⊞	FIRE PROOF CARBON FILM RESISTOR
□	CEMENT MOLDED RESISTOR
⊞	SEMI VARIABLE RESISTOR
⊞	CHIP RESISTOR

CAPACITOR

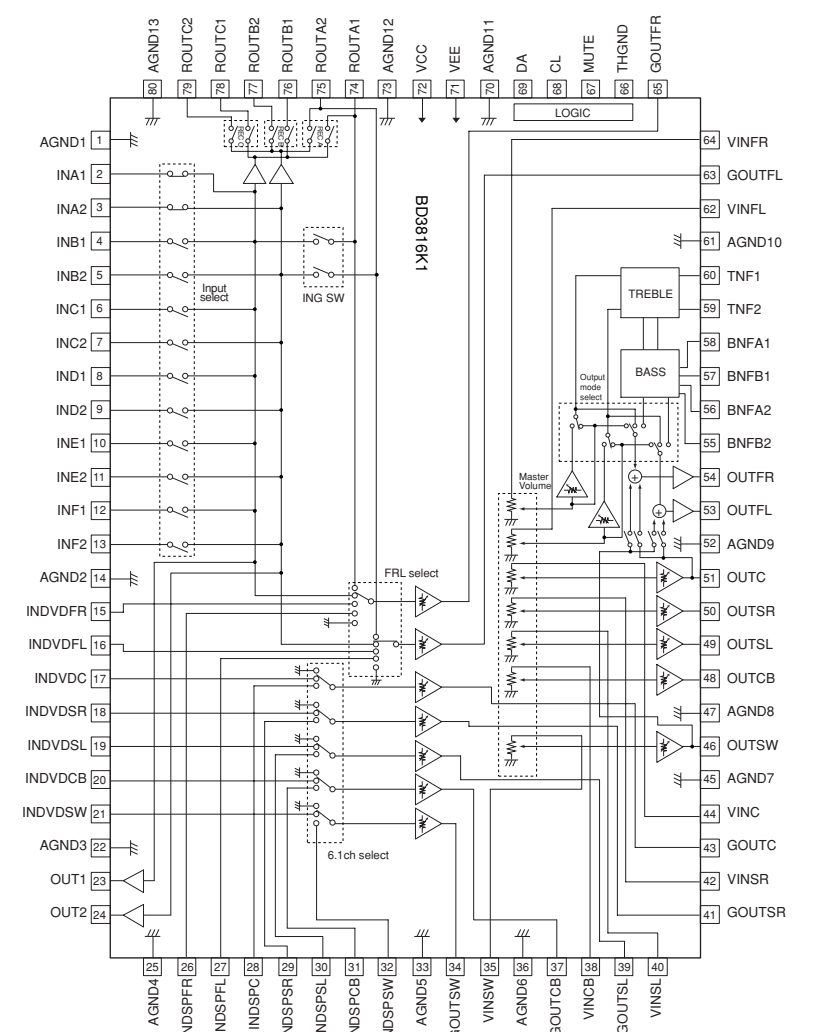
REMARKS	PARTS NAME
NO MARK	ELECTROLYTIC CAPACITOR
⊞	TANTALUM CAPACITOR
NO MARK	CERAMIC CAPACITOR
⊞	CERAMIC TUBULAR CAPACITOR
⊞	POLYESTER FILM CAPACITOR
⊞	POLYSTYRENE FILM CAPACITOR
⊞	MICA CAPACITOR
⊞	POLYPROPYLENE FILM CAPACITOR
⊞	SEMICONDUCTIVE CERAMIC CAPACITOR

NOTICE (mode1)  
 (J)..... JAPAN  
 (U)..... U.S. A  
 (C)..... CANADA  
 (R)..... GENERAL  
 (T)..... CHINA  
 (K)..... KOREA  
 (A)..... AUSTRALIA  
 (B)..... BRITISH  
 (G)..... EUROPE  
 (L)..... SINGAPORE  
 (E)..... SOUTH EUROPE  
 (V)..... TAIWAN

Page 59 [G8]  
to SUBTR (9)\_CB441

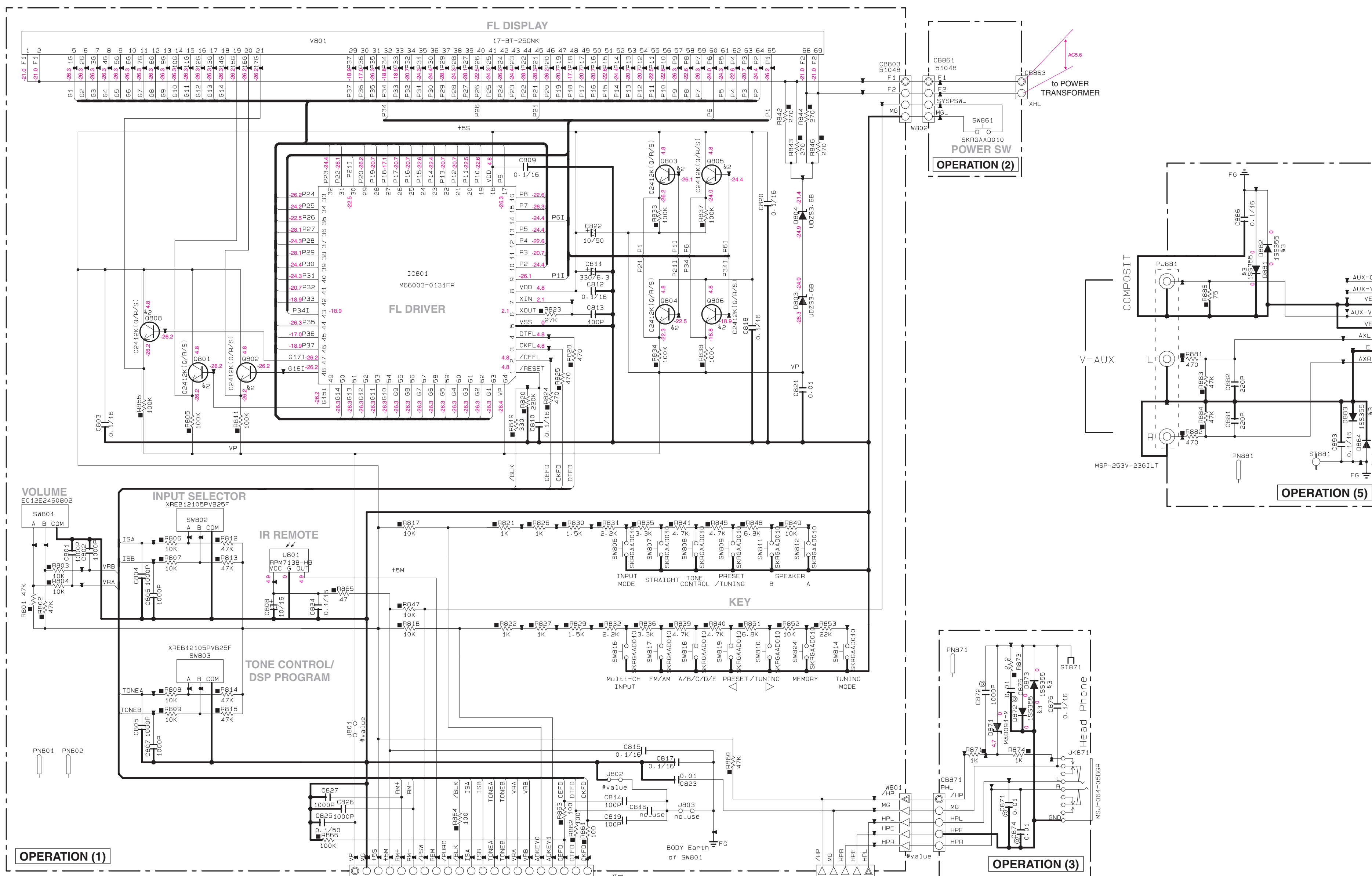


IC301: BD3816K1  
7-channel volume IC for 7-channel



\* All voltages are measured with a 10MΩV DC electronic volt meter.  
 \* Components having special characteristics are marked ♠, and must be replaced with parts having specifications equal to those originally installed.  
 \* Schematic diagram is subject to change without notice.

RX-V100D  
**SCHEMATIC DIAGRAM (OPERATION)**



Page 59 **J8** to SUBTR (2)\_CB456  
 Page 55 **J3** to FUNCTION\_CB309

**CAPACITOR**

REMARKS	PARTS NAME
NO MARK	ELECTROLYTIC CAPACITOR
⊗	TANTALUM CAPACITOR
NO MARK	CERAMIC CAPACITOR
⊙	CERAMIC TUBULAR CAPACITOR
⊚	POLYESTER FILM CAPACITOR
○	POLYSTYRENE FILM CAPACITOR
①	MICA CAPACITOR
⊕	POLYPROPYLENE FILM CAPACITOR
⊖	SEMICONDUCTIVE CERAMIC CAPACITOR
⊙	POLYPHENYLENE SULFIDE FILM CAPACITOR

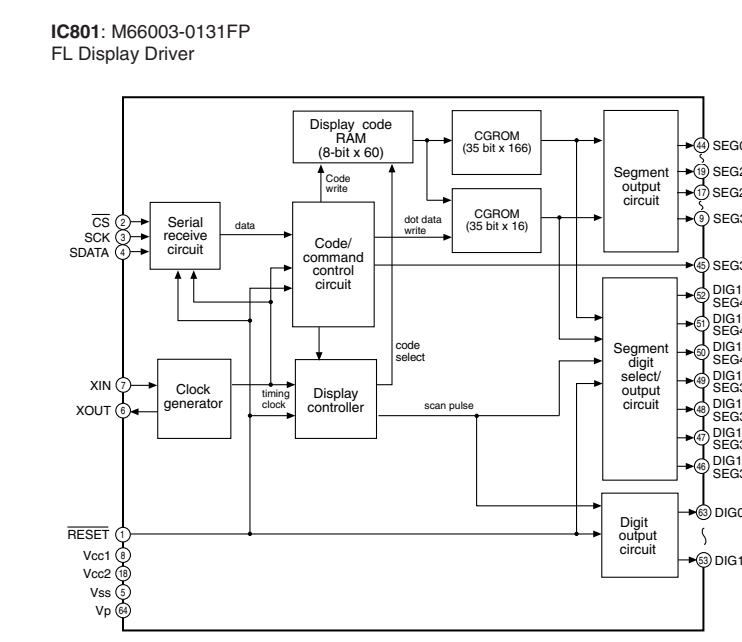
**RESISTOR**

REMARKS	PARTS NAME
NO MARK	CARBON FILM RESISTOR (P=5)
□	CARBON FILM RESISTOR (P=10)
△	METAL OXIDE FILM RESISTOR
▲	METAL FILM RESISTOR
⊠	METAL PLATE RESISTOR
⊞	FIRE PROOF CARBON FILM RESISTOR
⊞	CEMENT MOLDED RESISTOR
⊞	SEMI VARIABLE RESISTOR
⊞	CHIP RESISTOR

**NOTICE (mode1)**  
 (J)..... JAPAN  
 (U)..... U.S.A  
 (C)..... CANADA  
 (R)..... GENERAL  
 (T)..... CHINA  
 (K)..... KOREA  
 (A)..... AUSTRALIA  
 (B)..... BRITISH  
 (G)..... EUROPE  
 (L)..... SINGAPORE  
 (E)..... SOUTH EUROPE  
 (V)..... TAIWAN

Interchangeable Parts at Manufacture-Stage

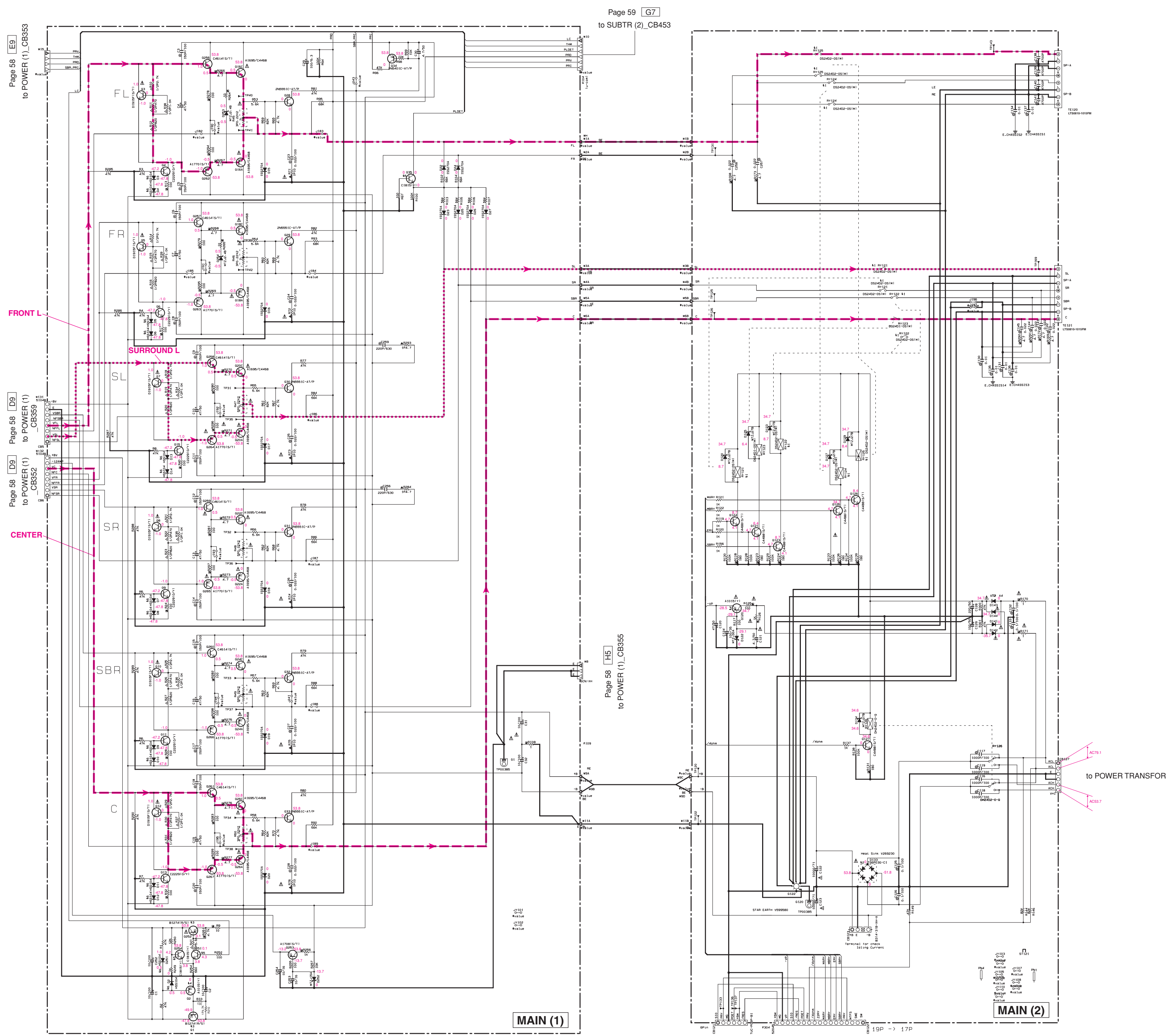
Mark	Reference Parts Number	Parts Name
k1		
k2	0B01-806-808	25C2412K1Q/R/S1 250601A1Q/R/S1
k3	0B72-873-881-884-805-808	15S355 MA111
k4		
k5		
k6		
k7		



\* All voltages are measured with a 10MΩ/V DC electronic volt meter.  
 \* Components having special characteristics are marked with a triangle and must be replaced with parts having specifications equal to those originally installed.  
 \* Schematic diagram is subject to change without notice.



SCHEMATIC DIAGRAM (MAIN)



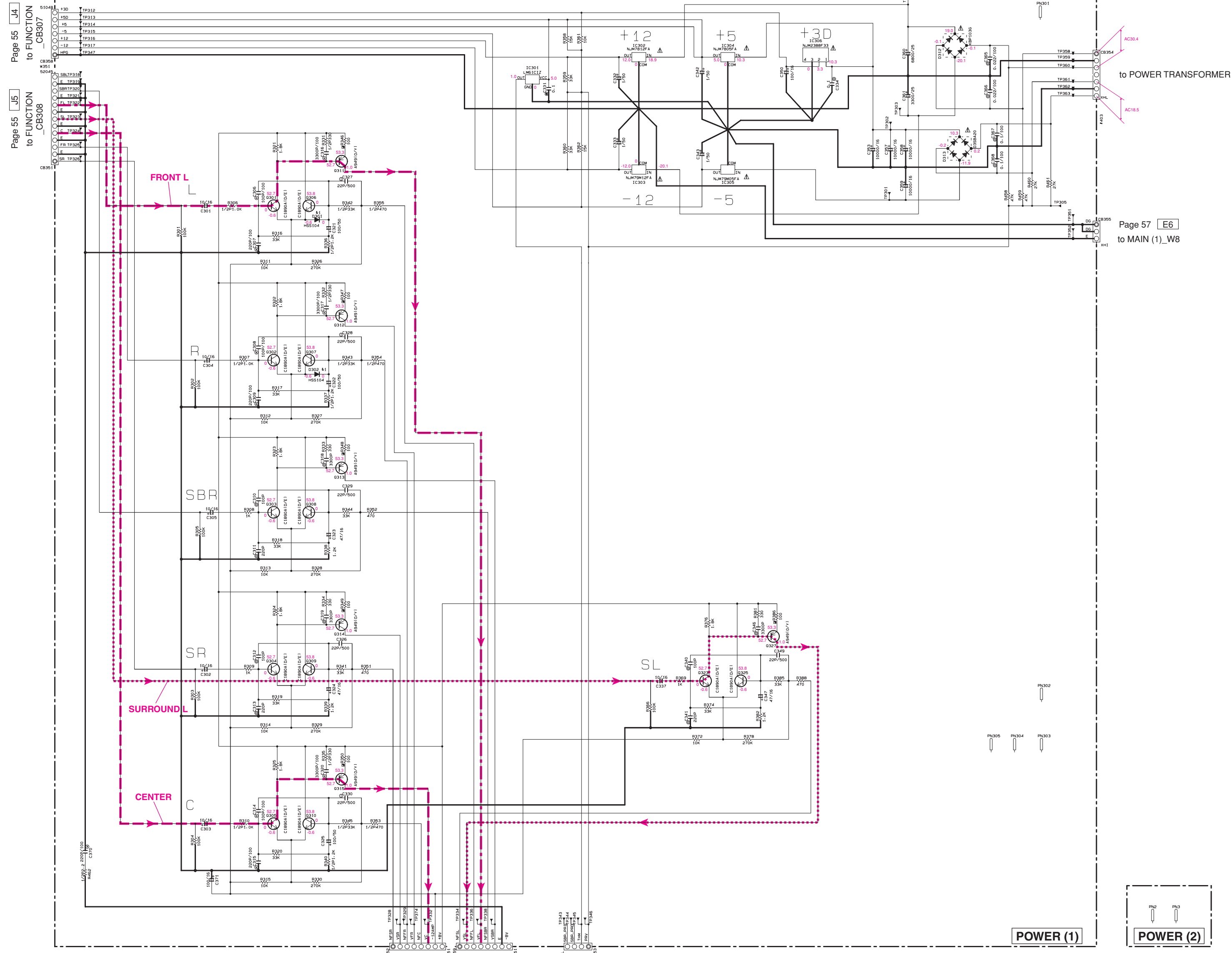
RESISTOR	PARTS NAME
[REMARKS]	
NO MARK	CARBON FILM RESISTOR (F=5%)
□	CARBON FILM RESISTOR (F=1%)
△	METAL OXIDE FILM RESISTOR
□	METAL FILM RESISTOR
□	FINE POWER CARBON FILM RESISTOR
□	CEMENT WOUND RESISTOR
□	SEMI-CONDUCTIVE RESISTOR
□	CHIP RESISTOR

CAPACITOR	PARTS NAME
[REMARKS]	
NO MARK	ELECTROLYTIC CAPACITOR
□	TANTALUM CAPACITOR
NO MARK	CERAMIC CAPACITOR
□	CERAMIC TUBULAR CAPACITOR
□	POLYESTER FILM CAPACITOR
□	POLYPROPYLENE FILM CAPACITOR
□	SLICK CAPACITOR
□	POLYETHYLENE FILM CAPACITOR
□	MONOLITHIC CERAMIC CAPACITOR
□	POLYPROPYLENE SULFIDE FILM CAPACITOR

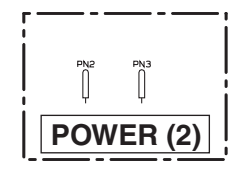
NOTICE (FROM 1)  
 J..... JAPAN  
 U..... U.S.A.  
 C..... CANADA  
 □..... GENERAL  
 T..... TAIWAN  
 K..... KOREA  
 A..... AUSTRALIA  
 B..... BRITISH  
 G..... GERMANY  
 L..... LONDON  
 E..... EUROPE  
 V..... VIETNAM

Part No.	Reference Parts Number	Parts Name
A1	RY101-100-024-10P	00402-01041
A2	01-03	004-10P
A3	01-02	10P0030-C1
		00500
A4	01-10	20P1010C-V1
		20P1000C-V1
A5	030-051-004	40C10011-1
		41210011-1
A6	0114-001	10011
		10012

\* All voltages are measured with a 10MΩ/V DC electronic volt meter.  
 \* Components having special characteristics are marked with a triangle and must be replaced with parts having specifications equal to those originally installed.  
 \* Schematic diagram is subject to change without notice.



Page 57 [A4] to MAIN (1) \_CB6  
 Page 57 [A4] to MAIN (1) \_CB5  
 Page 57 [A1] to MAIN (1) \_W15



RESISTOR

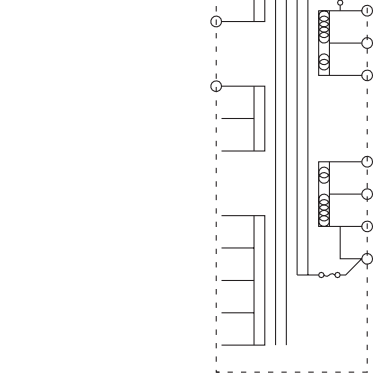
REMARKS	PARTS NAME
NO MARK	CARBON FILM RESISTOR (P=9)
CF	CARBON FILM RESISTOR (P=10)
A	METAL OXIDE FILM RESISTOR
MF	METAL FILM RESISTOR
MS	METAL SLATE RESISTOR
PF	FIRE-PROOF CARBON FILM RESISTOR
RF	RESISTOR MOUNTED RESISTOR
VF	SEMI-VARIABLE RESISTOR
LV	LEVER RESISTOR

Interchangeable Parts at Manufacture-Stage

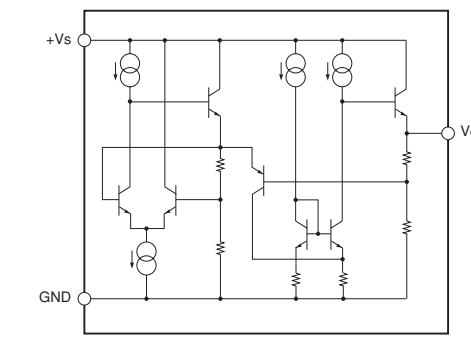
Part No.	Interchange Part No.	Part Name
1	1001-1002	RESISTOR
2	1003-1004	RESISTOR
3	1005-1006	RESISTOR
4	1007-1008	RESISTOR
5	1009-1010	RESISTOR
6	1011-1012	RESISTOR
7	1013-1014	RESISTOR
8	1015-1016	RESISTOR
9	1017-1018	RESISTOR
10	1019-1020	RESISTOR

CAPACITOR

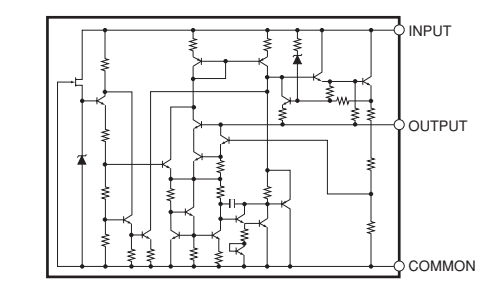
REMARKS	PARTS NAME
NO MARK	ELECTROLYTIC CAPACITOR
AL	ALUMINUM CAPACITOR
NO MARK	CERAMIC CAPACITOR
TC	TANTALUM CAPACITOR
CC	CERAMIC TUBULAR CAPACITOR
CS	POLYESTER FILM CAPACITOR
CO	POLYETHYLENE FILM CAPACITOR
CP	MICA CAPACITOR
CD	POLYPROPYLENE FILM CAPACITOR
CE	SEMICONDUCTIVE CERAMIC CAPACITOR
CF	POLYPROPYLENE SLATE FILM CAPACITOR



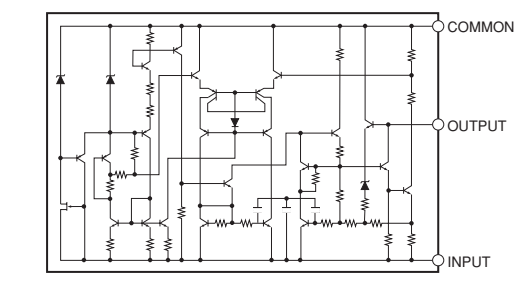
IC301: LM61C1Z  
 Temperature Sensor



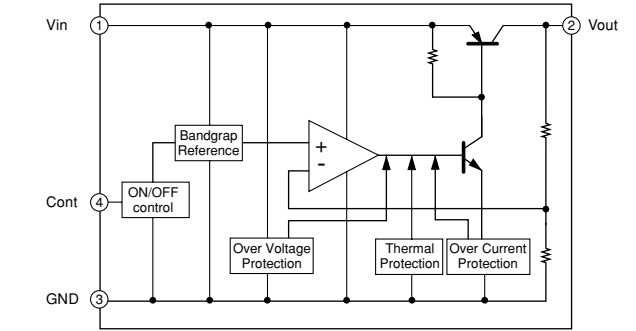
IC302: NJM7812FA  
 IC304: NJM7805FA  
 Voltage Regulator



IC303: NJM79M12FA  
 IC305: NJM79M05FA  
 Voltage Regulator

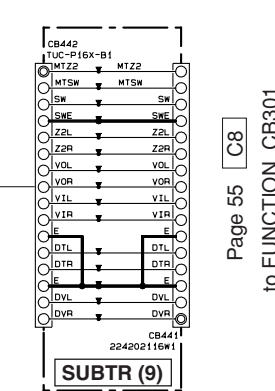
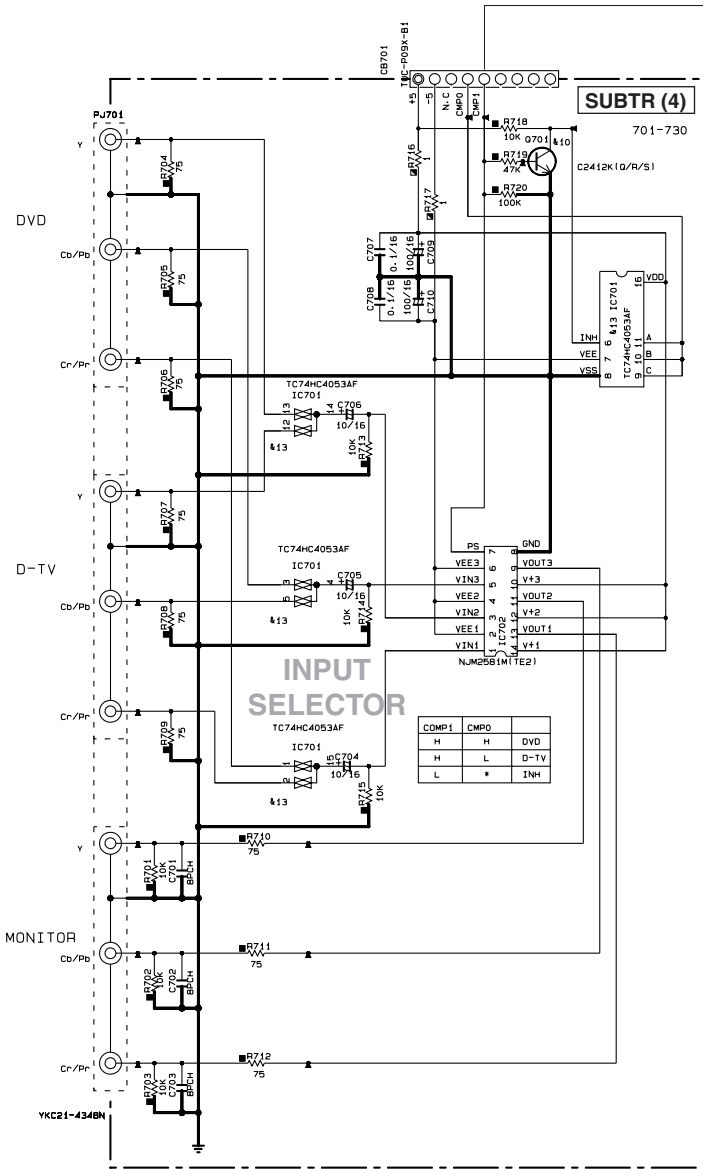
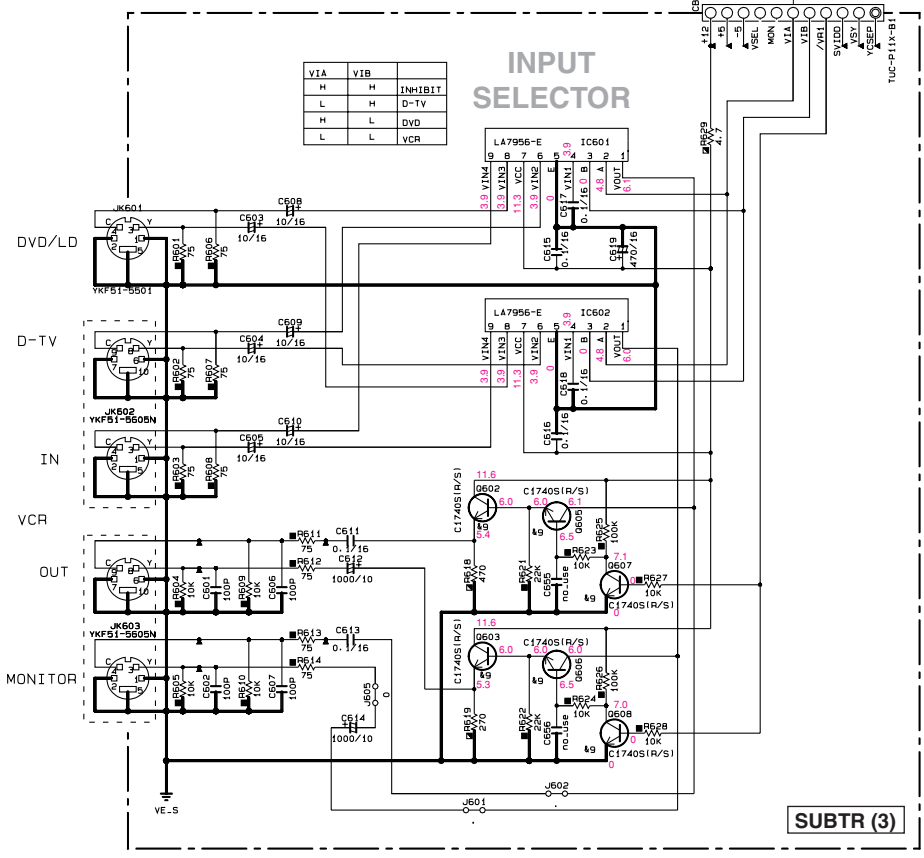
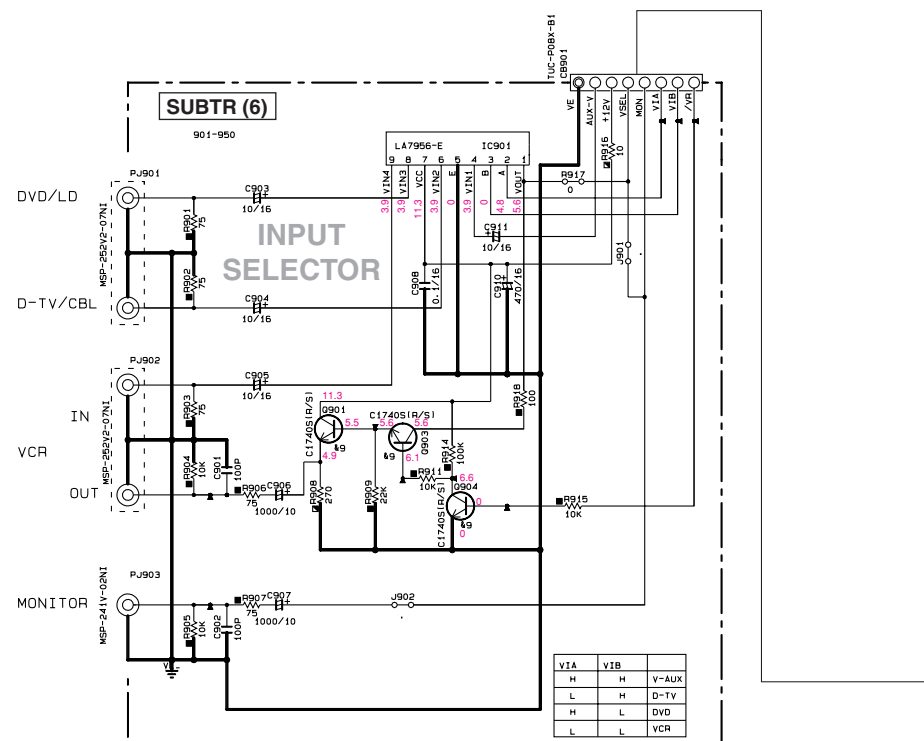
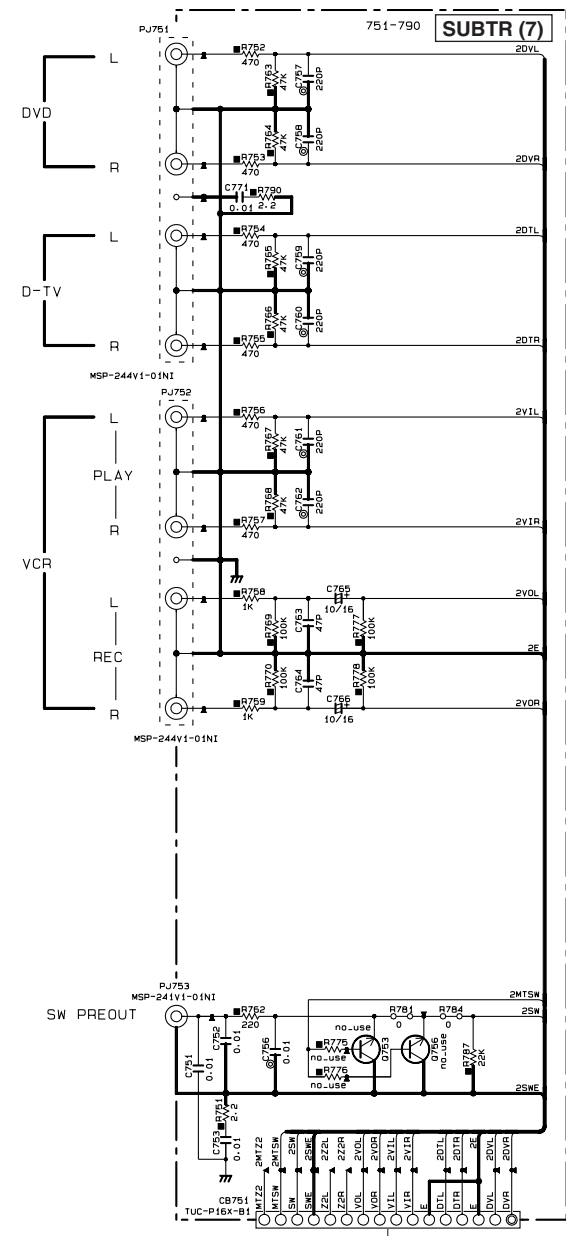
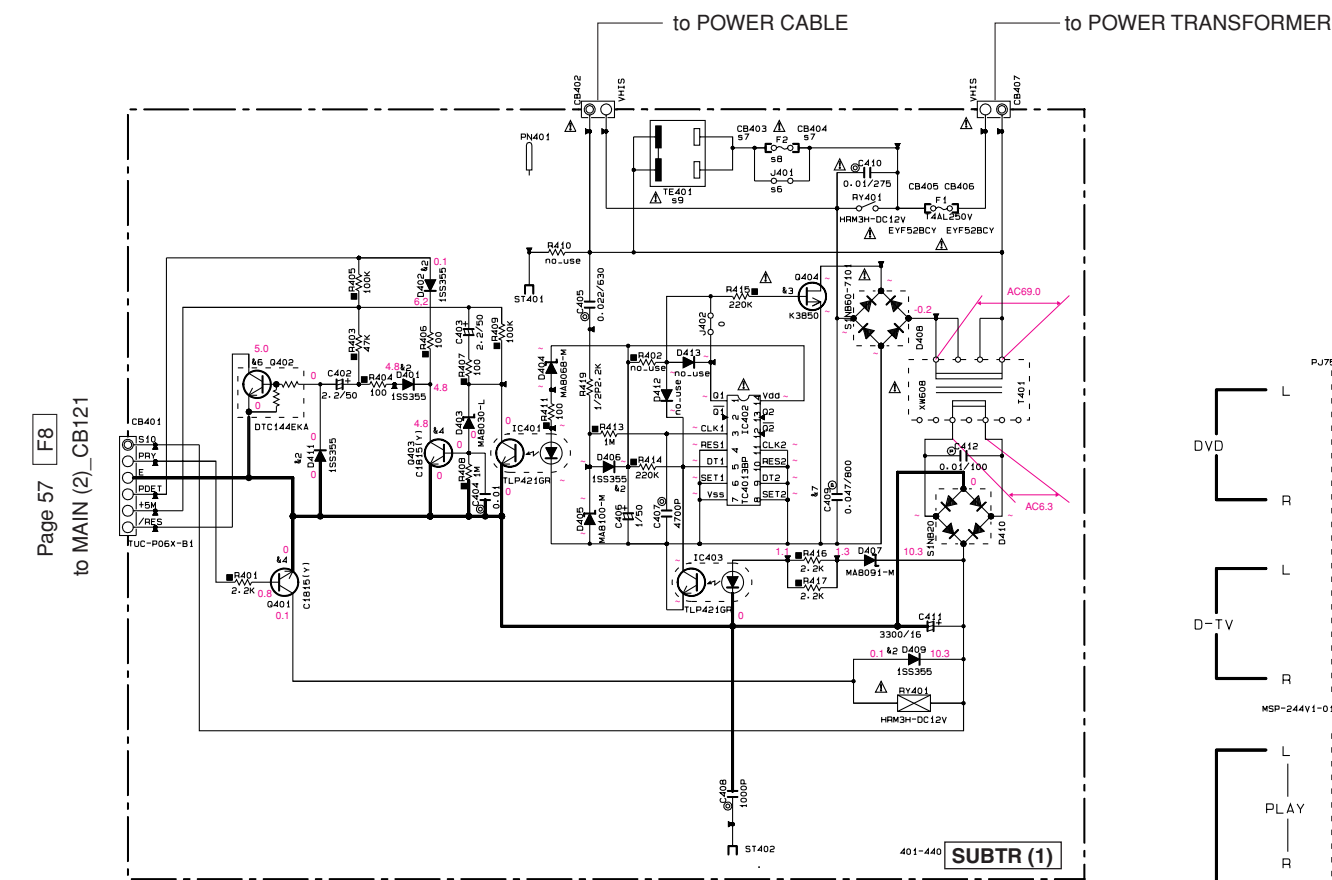


IC306: NJM2388F33  
 LOW DROPOUT VOLTAGE REGULATOR WITH ON/OFF CONTROL



\* All voltages are measured with a 10MΩ/V DC electronic volt meter.  
 \* Components having special characteristics are marked  $\Delta$  and must be replaced with parts having specifications equal to those originally installed.  
 \* Schematic diagram is subject to change without notice.

SCHEMATIC DIAGRAM (SUBTRANS)



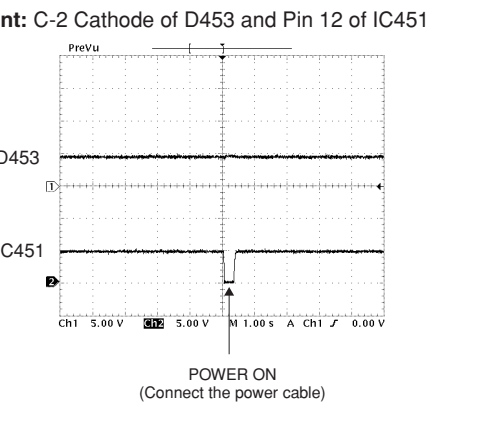
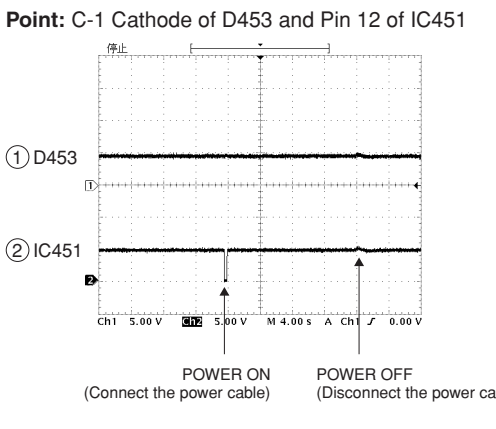
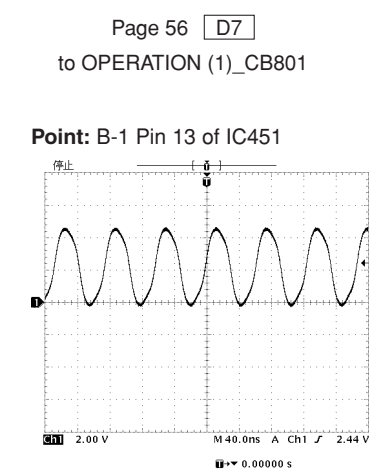
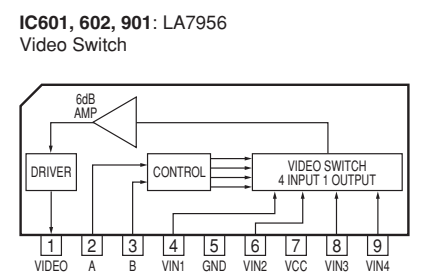
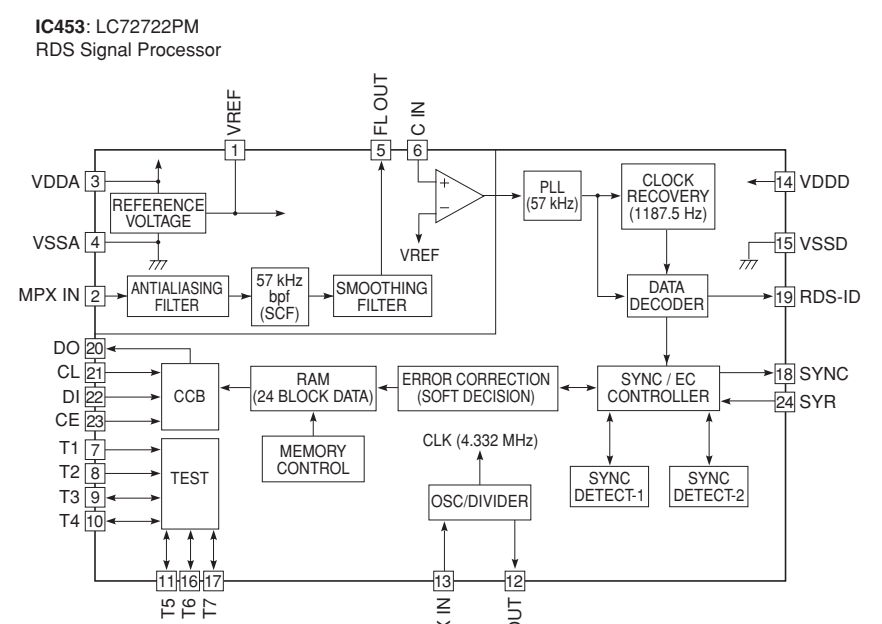
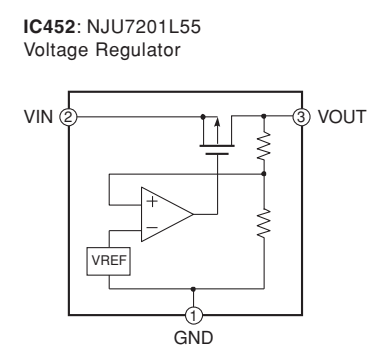
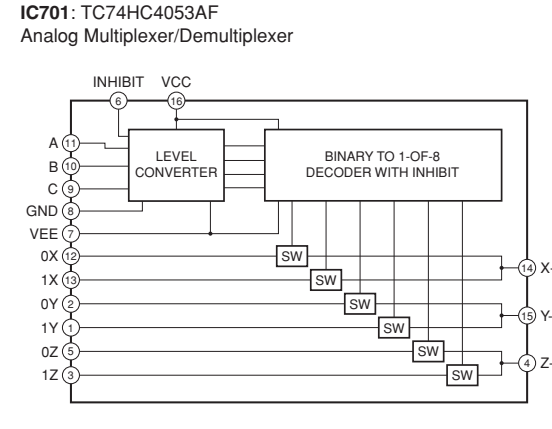
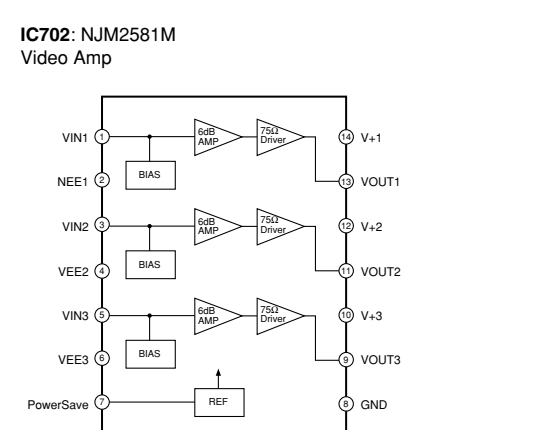
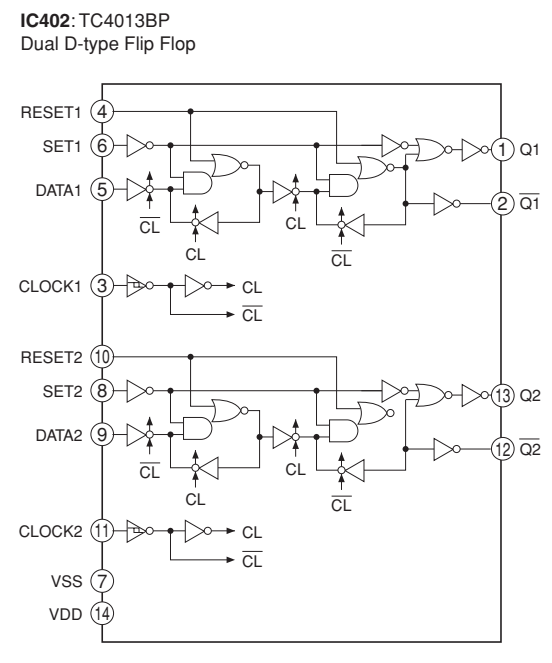
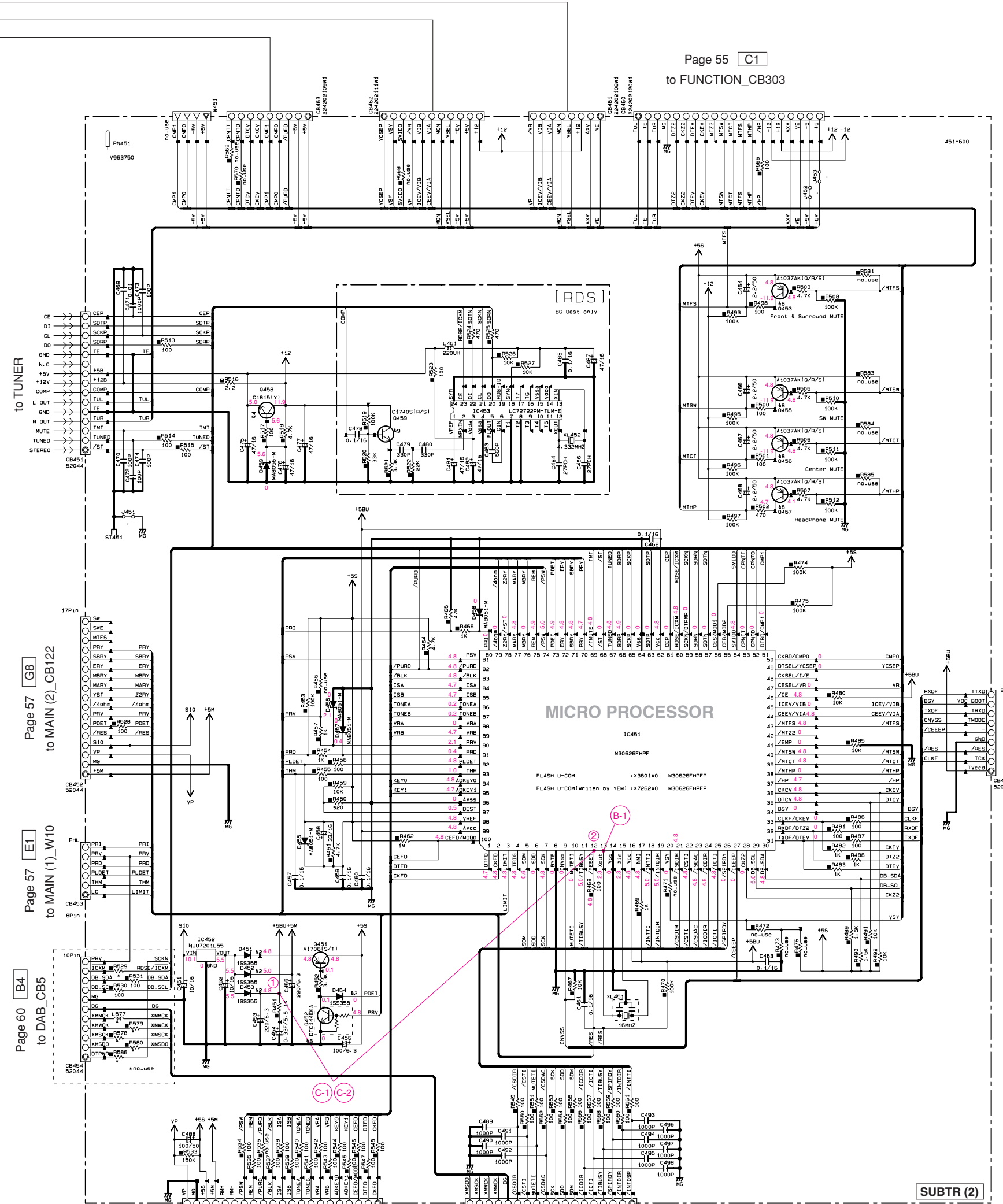
NOTICE (Footnote)  
 J) JAPAN  
 U) U.S.A.  
 C) CANADA  
 R) GENERAL  
 T) CHINA  
 K) KOREA  
 A) AUSTRALIA  
 B) BRITISH  
 E) EUROPE  
 L) SINGAPORE  
 S) SOUTH EUROPE  
 V) TAIWAN

REMARKS	PARTS NAME
NO MARK	CARBON FILM RESISTOR (F=1)
F	CARBON FILM RESISTOR (F=10)
A	METAL FILM RESISTOR
M	METAL OXIDE RESISTOR
F	FILM PROOF CARBON FILM RESISTOR
Q	CEMENT MIXED RESISTOR
Q	SEM. VARIABLE RESISTOR
■	CHIP RESISTOR

REMARKS	PARTS NAME
NO MARK	ELECTROLYTIC CAPACITOR
○	TANTALUM CAPACITOR
NO MARK	CERAMIC CAPACITOR
■	CERAMIC TUBULAR CAPACITOR
○	POLYESTER FILM CAPACITOR
○	POLYETHYLENE FILM CAPACITOR
○	MICA CAPACITOR
○	POLYIMIDE FILM CAPACITOR
●	SEMICONDUCTIVE CERAMIC CAPACITOR

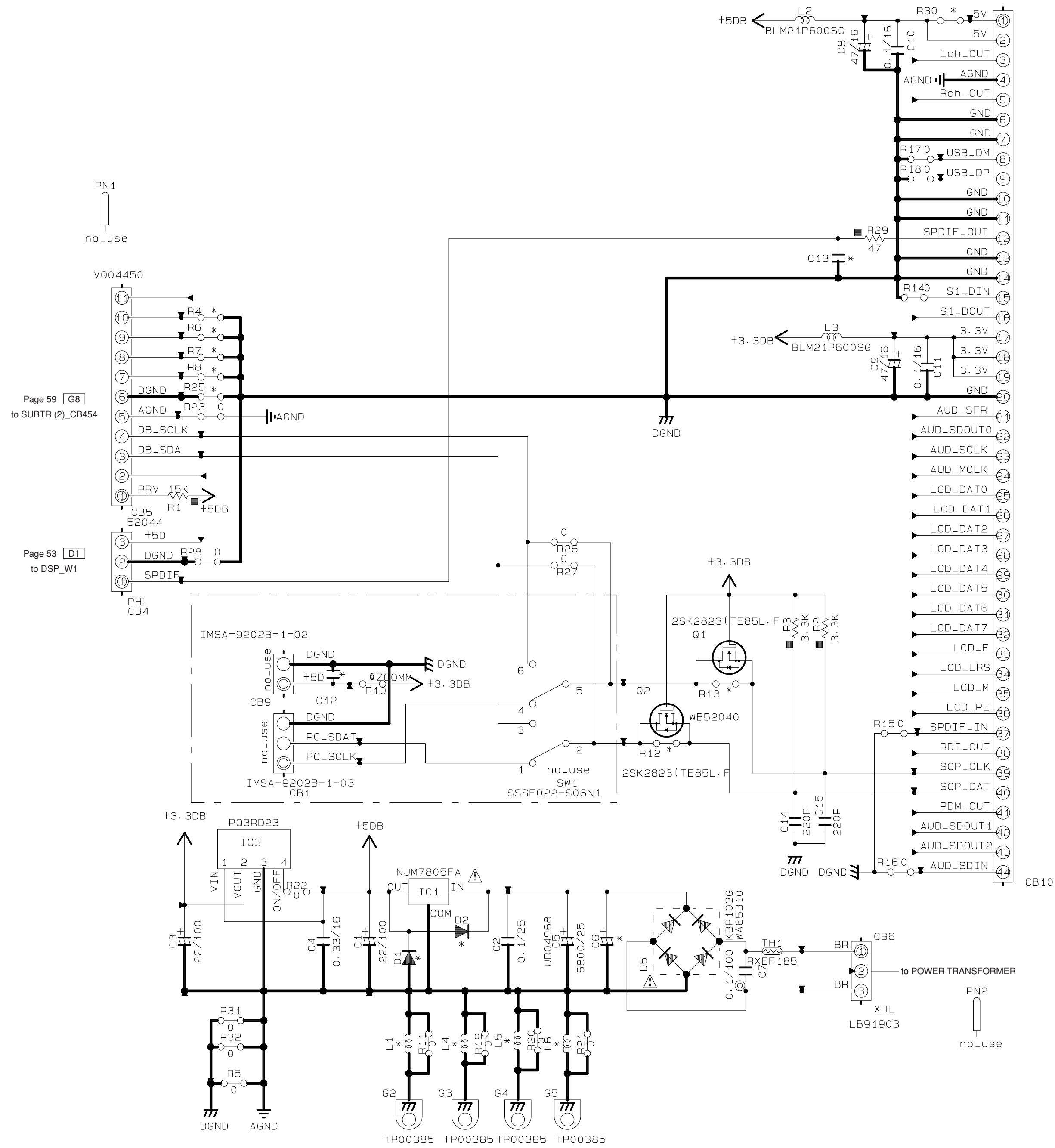
Destination Part List	LOC	Q	D
441	4411	100000	
442	4421	100000	
443	4431	100000	
444	4441	100000	
445	4451	100000	
446	4461	100000	
447	4471	100000	
448	4481	100000	
449	4491	100000	
450	4501	100000	

Part No.	Reference Part Number	Part Name
441	4411-451-454	RESISTOR
442	4411-451-454	RESISTOR
443	4411-451-454	RESISTOR
444	4411-451-454	RESISTOR
445	4411-451-454	RESISTOR
446	4411-451-454	RESISTOR
447	4411-451-454	RESISTOR
448	4411-451-454	RESISTOR
449	4411-451-454	RESISTOR
450	4411-451-454	RESISTOR



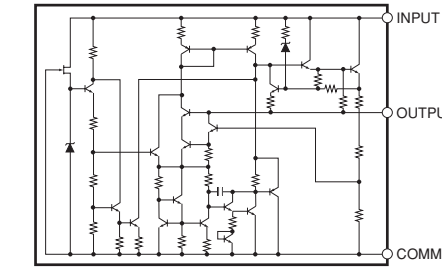
★ All voltages are measured with a 10MΩ/V DC electronic volt meter.  
 ★ Components having special characteristics are marked with a triangle (▲) and must be replaced with parts having specifications equal to those originally installed.  
 ★ Schematic diagram is subject to change without notice.

RX-V100D  
**SCHEMATIC DIAGRAM (DAB)**

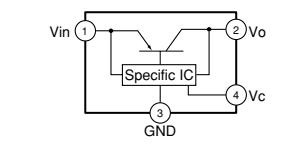


DAB MODULE

IC1: NJM7805FA  
Voltage Regulator



IC3: PQ3RD23  
Low power-loss voltage regulator




\* All voltages are measured with a 10MΩ/V DC electronic volt meter.  
 \* Components having special characteristics are marked with a triangle and must be replaced with parts having specifications equal to those originally installed.  
 \* Schematic diagram is subject to change without notice.

# PARTS LIST

## ■ ELECTRICAL PARTS

### ■ WARNING

- Components having special characteristics are marked  and must be replaced with parts having specifications equal to those originally installed.

### ABBREVIATIONS IN THIS LIST ARE AS FOLLOWS:

C.A.EL.CHP	: CHIP ALUMI.ELECTROLYTIC CAP	L.EMIT	: LIGHT EMITTING MODULE
C.CE	: CERAMIC CAP	LED.DSPLY	: LED DISPLAY
C.CE.ARRAY	: CERAMIC CAP ARRAY	LED.INFRD	: LED,INFRARED
C.CE.CHP	: CHIP CERAMIC CAP	MODUL.RF	: MODULATOR,RF
C.CE.ML	: MULTILAYER CERAMIC CAP	PHOT.CPL	: PHOTO COUPLER
C.CE.M.CHP	: CHIP MULTILAYER CERAMIC CAP	PHOT.INTR	: PHOTO INTERRUPTER
C.CE.SAFTY	: RECOGNIZED CERAMIC CAP	PHOT.RFLCT	: PHOTO REFLECTOR
C.CE.TUBLR	: CERAMIC TUBULAR CAP	PIN.TEST	: PIN,TEST POINT
C.CE.SMI	: SEMI CONDUCTIVE CERAMIC CAP	PLST.RIVET	: PLASTIC RIVET
C.EL	: ELECTROLYTIC CAP	R.ARRAY	: RESISTOR ARRAY
C.MICA	: MICA CAP	R.CAR.	: CARBON RESISTOR
C.ML.FLM	: MULTILAYER FILM CAP	R.CAR.CHP	: CHIP RESISTOR
C.MP	: METALLIZED PAPER CAP	R.CAR.FP	: FLAME PROOF CARBON RESISTOR
C.MYLAR	: MYLAR FILM CAP	R.FUS	: FUSABLE RESISTOR
C.MYLAR.ML	: MULTILAYER MYLAR FILM CAP	R.MTL.CHP	: CHIP METAL FILM RESISTOR
C.PAPER	: PAPER CAPACITOR	R.MTL.FLM	: METAL FILM RESISTOR
C.PLS	: POLYSTYRENE FILM CAP	R.MTL.OXD	: METAL OXIDE FILM RESISTOR
C.POL	: POLYESTER FILM CAP	R.MTL.PLAT	: METAL PLATE RESISTOR
C.POLY	: POLYETHYLENE FILM CAP	RSNR.CE	: CERAMIC RESONATOR
C.PP	: POLYPROPYLENE FILM CAP	RSNR.CRYS	: CRYSTAL RESONATOR
C.TNTL	: TANTALUM CAP	R.TW.CEM	: TWIN CEMENT FIXED RESISTOR
C.TNTL.CHP	: CHIP TANTALUM CAP	R.CEMENT	: CEMENT RESISTOR
C.TRIM	: TRIMMER CAP	SCR.BND.HD	: BIND HEAD B-TITE SCREW
CN	: CONNECTOR	SCR.BW.HD	: BW HEAD TAPPING SCREW
CN.BS.PIN	: CONNECTOR,BASE PIN	SCR.CUP	: CUP TITE SCREW
CN.CANNON	: CONNECTOR,CANNON	SCR.TERM	: SCREW TERMINAL
CN.DIN	: CONNECTOR,DIN	SCR.TR	: SCREW,TRANSISTOR
CN.FLAT	: CONNECTOR,FLAT CABLE	SUPRT.PCB	: SUPPORT,P.C.B.
CN.POST	: CONNECTOR,BASE POST	SURG.PRTCT	: SURGE PROTECTOR
COIL.MX.AM	: COIL,AM MIX	SW.TACT	: TACT SWITCH
COIL.AT.FM	: COIL,FM ANTENNA	SW.LEAF	: LEAF SWITCH
COIL.DT.FM	: COIL,FM DETECT	SW.LEVER	: LEVER SWITCH
COIL.MX.FM	: COIL,FM MIX	SW.MICRO	: MICRO SWITCH
COIL.OUTPT	: OUTPUT COIL	SW.PUSH	: PUSH SWITCH
DIOD.ARRAY	: DIODE ARRAY	SW.RT.ENC	: ROTARY ENCODER
DIODE.BRG	: DIODE BRIDGE	SW.RT.MTR	: ROTARY SWITCH WITH MOTOR
DIODE.CHP	: CHIP DIODE	SW.RT	: ROTARY SWITCH
DIODE.VAR	: VARACTOR DIODE	SW.SLIDE	: SLIDE SWITCH
DIOD.Z.CHP	: CHIP ZENER DIODE	TERM.SP	: SPEAKER TERMINAL
DIODE.ZENR	: ZENER DIODE	TERM.WRAP	: WRAPPING TERMINAL
DSCR.CE	: CERAMIC DISCRIMINATOR	THRMST.CHP	: CHIP THERMISTOR
FER.BEAD	: FERRITE BEADS	TR.CHP	: CHIP TRANSISTOR
FER.CORE	: FERRITE CORE	TR.DGT	: DIGITAL TRANSISTOR
FET.CHP	: CHIP FET	TR.DGT.CHP	: CHIP DIGITAL TRANSISTOR
FL.DSPLY	: FLUORESCENT DISPLAY	TRANS	: TRANSFORMER
FLTR.CE	: CERAMIC FILTER	TRANS.PULS	: PULSE TRANSFORMER
FLTR.COMB	: COMB FILTER MODULE	TRANS.PWR	: POWER TRANSFORMER ASS'Y
FLTR.LC.RF	: LC FILTER,EMI	TUNER.AM	: TUNER PACK,AM
GND.MTL	: GROUND PLATE	TUNER.FM	: TUNER PACK,FM
GND.TERM	: GROUND TERMINAL	TUNER.PK	: FRONT-ENDTUNER PACK
HOLDER.FUS	: FUSE HOLDER	VR	: ROTARY POTENTIOMETER
IC.PRTCT	: IC PROTECTOR	VR.MTR	: POTENTIOMETER WITH MOTOR
JUMPER.CN	: JUMPER CONNECTOR	VR.SW	: POTENTIOMETER WITH ROTARY SW
JUMPER.TST	: JUMPER,TEST POINT	VR.SLIDE	: SLIDE POTENTIOMETER
L.DTCT	: LIGHT DETECTING MODULE	VR.TRIM	: TRIMMER POTENTIOMETER

**P.C.B. DSP**

**P.C.B. DSP**

\*

Ref. No.	Part No.	Description	Markets
	WG225200	P. C. B.	DSP
CB1	V7828500	SOCKET	18P TE TUC SERIES
CB2	VQ044800	CN. BS. PIN	18P
CB11	LB919020	CN. BS. PIN	2P
C1	UR218470	C. EL	470uF 6.3V
C2	UR067470	C. EL	47uF 50V
C3	US061220	C. CE. CHP	22pF 50V B
C5	US135100	C. CE. CHP	0.1uF 16V
C6	US135100	C. CE. CHP	0.1uF 16V
C7	US135100	C. CE. CHP	0.1uF 16V
C8	US135100	C. CE. CHP	0.1uF 16V
C9	US135100	C. CE. CHP	0.1uF 16V
C10	US061470	C. CE. CHP	47pF 50V B
C11	US135100	C. CE. CHP	0.1uF 16V
C12	UR837220	C. EL	22uF 16V
C15	UR067470	C. EL	47uF 50V
C16	US035100	C. CE. CHP	0.1uF 16V B
C17	US135100	C. CE. CHP	0.1uF 16V
C19	US135100	C. CE. CHP	0.1uF 16V
C20	US035100	C. CE. CHP	0.1uF 16V B
C22-28	US135100	C. CE. CHP	0.1uF 16V
C31-35	US135100	C. CE. CHP	0.1uF 16V
C36	UA654680	C. MYLAR	0.068uF 50V J
C38	US135100	C. CE. CHP	0.1uF 16V
C40	UA653100	C. MYLAR	1000pF 50V J
C41-42	US135100	C. CE. CHP	0.1uF 16V
C44	US135100	C. CE. CHP	0.1uF 16V
C46-49	US135100	C. CE. CHP	0.1uF 16V
C50	UR067470	C. EL	47uF 50V
C51-52	US135100	C. CE. CHP	0.1uF 16V
C53	UR067470	C. EL	47uF 50V
C54	UR067100	C. EL	10uF 50V
C55	UR238100	C. EL	100uF 16V
C56-57	US135100	C. CE. CHP	0.1uF 16V
C58	US035100	C. CE. CHP	0.1uF 16V B
C59	US135100	C. CE. CHP	0.1uF 16V
C60-61	US061180	C. CE. CHP	18pF 50V B
C62	US126100	C. CE. CHP	1uF 10V
C63	US035100	C. CE. CHP	0.1uF 16V B
C64	US135100	C. CE. CHP	0.1uF 16V
C65	UR238100	C. EL	100uF 16V
C66-69	US135100	C. CE. CHP	0.1uF 16V
C70-75	US135100	C. CE. CHP	0.1uF 16V
C76	UR238100	C. EL	100uF 16V
C77	US035100	C. CE. CHP	0.1uF 16V B
C78	US135100	C. CE. CHP	0.1uF 16V
C79	US035100	C. CE. CHP	0.1uF 16V B
C80	US135100	C. CE. CHP	0.1uF 16V

\* New Parts

Ref. No.	Part No.	Description	Markets
C81	UR238100	C. EL	100uF 16V
C83	US035100	C. CE. CHP	0.1uF 16V B
C84-87	US135100	C. CE. CHP	0.1uF 16V
C89	US135100	C. CE. CHP	0.1uF 16V
C90	US135100	C. CE. CHP	0.1uF 16V
C91-92	US061470	C. CE. CHP	47pF 50V B
C93	US062100	C. CE. CHP	100pF 50V B
C94	UR067470	C. EL	47uF 50V
C95-97	US061470	C. CE. CHP	47pF 50V B
C98	US064100	C. CE. CHP	0.01uF 50V B
C99	US135100	C. CE. CHP	0.1uF 16V
C100	US135100	C. CE. CHP	0.1uF 16V
C102	US035100	C. CE. CHP	0.1uF 16V B
C103-107	US135100	C. CE. CHP	0.1uF 16V
C108-109	US061470	C. CE. CHP	47pF 50V B
C110	US064100	C. CE. CHP	0.01uF 50V B
C111	US135100	C. CE. CHP	0.1uF 16V
C112	US061470	C. CE. CHP	47pF 50V B
C113-115	US135100	C. CE. CHP	0.1uF 16V
C116	US061470	C. CE. CHP	47pF 50V B
C117-121	US135100	C. CE. CHP	0.1uF 16V
C122	US035100	C. CE. CHP	0.1uF 16V B
C123	US135100	C. CE. CHP	0.1uF 16V
C124	UR067470	C. EL	47uF 50V
C126	UR067470	C. EL	47uF 50V
C127	US135100	C. CE. CHP	0.1uF 16V
C130	US135100	C. CE. CHP	0.1uF 16V
C131	UR067470	C. EL	47uF 50V
C132-137	US061470	C. CE. CHP	47pF 50V B
C138	US135100	C. CE. CHP	0.1uF 16V
C139-144	US061470	C. CE. CHP	47pF 50V B
C145	UR266220	C. EL	2.2uF 50V
C148-149	US064100	C. CE. CHP	0.01uF 50V B
C152-154	UR237100	C. EL	10uF 16V
C156-159	UR237100	C. EL	10uF 16V
C162-163	UR237100	C. EL	10uF 16V
C164	UA652680	C. MYLAR	680pF 50V J
C165	UA654470	C. MYLAR	0.047uF 50V J
C166	UA652680	C. MYLAR	680pF 50V J
C168-169	UA652680	C. MYLAR	680pF 50V J
C170	US035100	C. CE. CHP	0.1uF 16V B
C177	UA652100	C. MYLAR	100pF 50V J
C178	UR067470	C. EL	47uF 50V
C179-181	UA652100	C. MYLAR	100pF 50V J
C183	UA653390	C. MYLAR	3900pF 50V J
C186-188	UR237100	C. EL	10uF 16V
C190-191	UR237100	C. EL	10uF 16V
C193	US035100	C. CE. CHP	0.1uF 16V B

\* New Parts

RX-V100D

## P.C.B. DSP

Ref. No.	Part No.	Description	Markets
C194-195	UR237100	C. EL	10uF 16V
C198-199	UA655100	C. MYLAR	0.1uF 50V J
C200-203	UA655100	C. MYLAR	0.1uF 50V J
C206-211	UR067470	C. EL	47uF 50V
C212	US062100	C. CE. CHP	100pF 50V B
C213	US035100	C. CE. CHP	0.1uF 16V B
C214	US063100	C. CE. CHP	1000pF 50V B
C215	US062100	C. CE. CHP	100pF 50V B
C219-220	US063100	C. CE. CHP	1000pF 50V B
C221	US035100	C. CE. CHP	0.1uF 16V B
C223	US135100	C. CE. CHP	0.1uF 16V
C224-226	US063100	C. CE. CHP	1000pF 50V B
C227-228	US035100	C. CE. CHP	0.1uF 16V B
C230-231	US035100	C. CE. CHP	0.1uF 16V B
C233-257	US135100	C. CE. CHP	0.1uF 16V
C258	US064100	C. CE. CHP	0.01uF 50V B
D3	VT332900	DIODE	1SS355
D8	VT332900	DIODE	1SS355
D9	WB081800	DIODE	SB01-05Q
D10-12	WB081800	DIODE	SB01-05Q
D13	VT332900	DIODE	1SS355
IC1	X3936A00	IC	SN74LVU04APWR
IC2	X5444A00	IC	LC89057W-VF4D-E
IC3	X3018A00	IC	SN74AHCT00PWR NAND
IC6	X2590B00	IC	W9816G6CH-7 SDRAM
IC8	X6262A00	IC	MX23L8103TC-70G
IC9	XS534A00	IC	NJM78M05DL1A (TE1)
IC10	X3693A00	IC	SN74LV245APWR TRAN
IC11	X6051A00	IC	UPC29M33T-E1-AZ
IC12	X3833A00	IC	SN74AHC1G08DCKR
IC13	X5945A00	IC	PQ012FZ01ZPH
IC14	X6123A00	IC	SN74LV157APWR
IC16	X3807A00	IC	AK4628VQ
IC18-21	X5482A00	IC	NE5532DR OP AMP
IC22	X3824A00	IC	SN74AHCT08PWR
IC26	X2080A00	IC	SN74AHCT1G32DCKR
PJ1	V4483900	JACK. PIN	1P YKC21-3895N
R18	HV753100	R. CAR. FP	1Ω 1/4W
R40	V8070000	R. MTL. FLM	1Ω 1W
R63	V8070000	R. MTL. FLM	1Ω 1W
R104	VU224000	R. MTL. FLM	0.22Ω 1W
R105	HV753100	R. CAR. FP	1Ω 1/4W
R111	HV753100	R. CAR. FP	1Ω 1/4W
R133	V8070100	R. MTL. FLM	2.2Ω 1W
R149	V8070100	R. MTL. FLM	2.2Ω 1W
R193	V8070600	R. MTL. FLM	33Ω 1W
ST1	V4040500	SCR. TERM	M3
U1	WB001600	CN. PHOT. SN	1P GP1FA553TZ

\* New Parts

## P.C.B. DSP &amp; P.C.B. FUNCTION

Ref. No.	Part No.	Description	Markets
U2	WB001400	CN. PHOT. SN	1P GP1FA553RZ
U3	WB001400	CN. PHOT. SN	1P GP1FA553RZ
U4	WB001400	CN. PHOT. SN	1P GP1FA553RZ
XL1	V3625700	RSNR. CRYST	24.576MHz
	WE593600		FUNCTION
CB301	V7826600	CN	16P TE TUC SERIES
CB303	V7828700	SOCKET	20P SE TUC SERIES
CB305	VP573800	CN. BS. PIN	18P
CB306	VB858700	CN. BS. PIN	8P
CB307	VK026600	CN. BS. PIN	7P
CB308	VM923600	CN. BS. PIN	13P
CB309	VB858400	CN. BS. PIN	5P
C301-306	US062220	C. CE. CHP	220pF 50V B
C307-310	UA652220	C. MYLAR	220pF 50V J
C311-312	FG651470	C. CE	47pF 50V
C313-317	UR837100	C. EL	10uF 16V
C318-319	VE326300	C. MYLAR	0.18uF 50V
C320	UA653470	C. MYLAR	4700pF 50V J
C321-324	UR837100	C. EL	10uF 16V
C325-326	VE326200	C. MYLAR	0.15uF 50V
C327	UA653470	C. MYLAR	4700pF 50V J
C330-331	UR837100	C. EL	10uF 16V
C332-333	UA652100	C. MYLAR	100pF 50V J
C334-335	UR837100	C. EL	10uF 16V
C336-337	UR867470	C. EL	47uF 50V
C338	UR837100	C. EL	10uF 16V
C339	UA652150	C. MYLAR	150pF 50V J
C340-344	UR837100	C. EL	10uF 16V
C345-346	US135100	C. CE. CHP	0.1uF 16V
C347-348	UR867470	C. EL	47uF 50V
C349-350	UR837100	C. EL	10uF 16V
C351-352	US062100	C. CE. CHP	100pF 50V B
C353-354	US135100	C. CE. CHP	0.1uF 16V
C355-356	UR837100	C. EL	10uF 16V
C357-358	US062100	C. CE. CHP	100pF 50V B
C359-360	US061470	C. CE. CHP	47pF 50V B
C361-362	UR837100	C. EL	10uF 16V
C363-364	US061220	C. CE. CHP	22pF 50V B
C365-366	UR839100	C. EL	1000uF 16V
C367-370	UR837100	C. EL	10uF 16V
C371-372	UA652100	C. MYLAR	100pF 50V J
C373-374	UA652680	C. MYLAR	680pF 50V J
C375	US064100	C. CE. CHP	0.01uF 50V B
C377-378	UR837470	C. EL	47uF 16V
D301-302	VU994300	DIODE. ZENR	MA8075-H 7.7V

\* New Parts

**P.C.B. FUNCTION & P.C.B. OPERATION**

Ref. No.	Part No.	Description	Markets
D303-304	VV307700	DIODE	1N4002S
IC301	X5092A00	IC	BD3816K1
IC303-304	X3505A00	IC	NJM2068MD-TE2
IC305	XP844A00	IC	NJM4556AL
IC306	X3505A00	IC	NJM2068MD-TE2
PJ301	V7190400	JACK. PIN	6P
PJ302	V7046800	JACK. PIN	6P MSP-246V1-01NI
PN301	V9637500	PIN	L=70 #18
Q301-306	VD303700	TR	2SC3326 A,B
Q307	iC181510	TR	2SC1815 Y
Q308	iA101510	TR	2SA1015 Y
Q309-310	VD303700	TR	2SC3326 A,B
Q311-312	VZ725900	TR	2SD1938F S,T
R336-337	HF356560	R. CAR	5.6KΩ 1/2W
R338-339	HF356150	R. CAR	1.5KΩ 1/2W
R342-343	HF353220	R. CAR	2.2Ω 1/2W
R352	HF356100	R. CAR	1KΩ 1/2W
R356-357	HF356100	R. CAR	1KΩ 1/2W
R374	HV755220	R. CAR. FP	220Ω 1/4W
R375	HV755150	R. CAR. FP	150Ω 1/4W
R382-383	HV755100	R. CAR. FP	100Ω 1/4W
R384-385	HF355100	R. CAR	100Ω 1/2W
R396-397	HF353220	R. CAR	2.2Ω 1/2W
R411-412	HV754470	R. CAR. FP	47Ω 1/4W
	WG225500	P. C. B.	OPERATION
CB801	VQ045100	CN. BS. PIN	21P
CB863	LB919020	CN. BS. PIN	2P
CB871	VB858400	CN. BS. PIN	5P
C801-802	US063100	C. CE. CHP	1000pF 50V B
C803	US135100	C. CE. CHP	0.1uF 16V
C804-807	US063100	C. CE. CHP	1000pF 50V B
C808	UM397100	C. EL	10uF 16V
C809-810	US135100	C. CE. CHP	0.1uF 16V
C811	UM388330	C. EL	330uF 6.3V
C812	US135100	C. CE. CHP	0.1uF 16V
C813-814	US062100	C. CE. CHP	100pF 50V B
C815	US135100	C. CE. CHP	0.1uF 16V
C817-818	US135100	C. CE. CHP	0.1uF 16V
C819	US062100	C. CE. CHP	100pF 50V B
C820	US135100	C. CE. CHP	0.1uF 16V
C821	US064100	C. CE. CHP	0.01uF 50V B
C822	UM417100	C. EL	10uF 50V
C823	US064100	C. CE. CHP	0.01uF 50V B
C824	US135100	C. CE. CHP	0.1uF 16V
C825	US065100	C. CE. CHP	0.1uF 50V B

\* New Parts

**P.C.B. OPERATION & P.C.B. MAIN**

Ref. No.	Part No.	Description	Markets
C826-827	US063100	C. CE. CHP	1000pF 50V B
C871	UA654100	C. MYLAR	0.01uF 50V J
C872	UA653100	C. MYLAR	1000pF 50V J
C874-875	UA654100	C. MYLAR	0.01uF 50V J
C876	US135100	C. CE. CHP	0.1uF 16V
C881-882	US062220	C. CE. CHP	220pF 50V B
C886	US135100	C. CE. CHP	0.1uF 16V
C893	US135100	C. CE. CHP	0.1uF 16V
D803-804	VU171500	DIODE. ZENR	UDZ 3.6BTE-17 3.6V
D871	VU995000	DIODE. ZENR	MA8091-M 9.1V
D872-873	VT332900	DIODE	1SS355
D881-884	VT332900	DIODE	1SS355
IC801	X6386A00	IC	M66003-0131FP
JK871	V9408200	JACK. PHONE	MSJ-064-05B GR
PJ881	V7190100	JACK. PIN	3P
PN801-802	V9637500	PIN	L=70 #18
PN871	V9637500	PIN	L=70 #18
PN881	V9637500	PIN	L=70 #18
Q801-806	VV556400	TR	2SC2412K Q,R,S
Q808	VV556400	TR	2SC2412K Q,R,S
ST871	V4040500	SCR. TERM	M3
ST881	WA246200	SCR. TERM	3.5
SW801	V9597100	SW. RT. ENC	EC12E2460802
SW802-803	V9266400	SW. RT. ENC	XREB12105PVB25F
SW806-812	WD483100	SW. TACT	SKRGAAD010
SW814	WD483100	SW. TACT	SKRGAAD010
SW816-819	WD483100	SW. TACT	SKRGAAD010
SW824	WD483100	SW. TACT	SKRGAAD010
SW861	WD483100	SW. TACT	SKRGAAD010
U801	WC746300	L. DTCT	RPM7138-H9
V801	WF784700	FL. DSPLY	17-BT-25GNK
	V6880300	SHEET	
	V6007100	SPACER. FL	4.6/10/32
	WE588300	P. C. B.	MAIN
CB121	V7825600	CN	6P TE TUC SERIES
CB122	VM973500	CN. BS. PIN	17P
CB123	WB127100	CN. BS. PIN	3P TE XH
CB127	LB932060	CN. BS. PIN	6P
C1	UR297100	C. EL	10uF 100V
C2	UR297100	C. EL	10uF 100V
C3	UT952150	C. PP	150pF 100V
C4	UR267470	C. EL	47uF 50V
C5	UT952150	C. PP	150pF 100V
C6	UT952150	C. PP	150pF 100V
C7	UR267470	C. EL	47uF 50V

\* New Parts



## P.C.B. MAIN

Ref. No.	Part No.	Description	Markets
C8	UT952150	C. PP	150pF 100V
C9	UT952150	C. PP	150pF 100V
C10	UR267470	C. EL	47uF 50V
C11-12	UT952150	C. PP	150pF 100V
C13	UR267470	C. EL	47uF 50V
C14-15	UT952150	C. PP	150pF 100V
C16	UR267470	C. EL	47uF 50V
C17-18	UT952150	C. PP	150pF 100V
C19	UR267470	C. EL	47uF 50V
C20	UT952150	C. PP	150pF 100V
C23-28	VR324700	C. MYLAR	0.022uF 100V
C29	UR818100	C. EL	100uF 6.3V
C30	UR866470	C. EL	4.7uF 50V
△ C31-32	UR297100	C. EL	10uF 100V
C116-119	WA747600	C. MYLAR	1000pF 100V
C120	UR867470	C. EL	47uF 50V
△ C121	UR866470	C. EL	4.7uF 50V
△ C122-123	WE586800	C. EL	8200uF 71V
C124	UR858100	C. EL	100uF 35V
C125-126	VR325400	C. MYLAR	0.1uF 100V
C128	UR268220	C. EL	220uF 50V
C129	UR268100	C. EL	100uF 50V
C130-131	UA654100	C. MYLAR	0.01uF 50V J
△ C132-133	VR325400	C. MYLAR	0.1uF 100V
C134-137	UA654100	C. MYLAR	0.01uF 50V J
C138-141	UA653470	C. MYLAR	4700pF 50V J
C142-145	UA654220	C. MYLAR	0.022uF 50V J
C252	UR297100	C. EL	10uF 100V
C253-254	UR237100	C. EL	10uF 16V
C256	WE100900	C. PP	220pF 630V
C257-258	UA654220	C. MYLAR	0.022uF 50V J
C259	WE100900	C. PP	220pF 630V
D2	VD631600	DIODE	1SS133, 176
D3	VD631600	DIODE	1SS133, 176
D4	VD631600	DIODE	1SS133, 176
D5	VD631600	DIODE	1SS133, 176
D6	VD631600	DIODE	1SS133, 176
D7	VD631600	DIODE	1SS133, 176
D8	VD631600	DIODE	1SS133, 176
D9	VD631600	DIODE	1SS133, 176
D10-14	VD631600	DIODE	1SS133, 176
D15-19	VN008700	DIODE	1SS270A
D20	VN008700	DIODE	1SS270A
D22-27	VN008700	DIODE	1SS270A
D120	VG442900	DIODE. ZENR	MTZJ27B 27V
D122	VG443200	DIODE. ZENR	MTZJ30A 30V
D123	VG442900	DIODE. ZENR	MTZJ27B 27V
D125	VG442900	DIODE. ZENR	MTZJ27B 27V

\* New Parts

## P.C.B. MAIN

Ref. No.	Part No.	Description	Markets
D127	VG442900	DIODE. ZENR	MTZJ27B 27V
D129	VG442900	DIODE. ZENR	MTZJ27B 27V
△ D133	WA653200	DIODE. BRG	TS6P03G 6.0A 200V
D134	VG442900	DIODE. ZENR	MTZJ27B 27V
△ D141-144	VS997800	DIODE	1T2
D251	VD631600	DIODE	1SS133, 176
D252	VG440700	DIODE. ZENR	MTZJ15A 15V
D253-254	VG435500	DIODE. ZENR	MTZJ2.4B 2.4V
G122	V5995800	PLATE. GND	
PN1	V9637500	PIN	L=70 #18
Q1	VC614000	TR	2SB1274 Q, R, S
Q2	iA101510	TR	2SA1015 Y
△ Q3	VK432900	TR	2SD1915F S, T
Q4	VR325600	TR	2SC2229 O, Y
△ Q5	VK432900	TR	2SD1915F S, T
Q6	VR325600	TR	2SC2229 O, Y
△ Q7	VK432900	TR	2SD1915F S, T
△ Q8	VK432900	TR	2SD1915F S, T
Q9	VR325600	TR	2SC2229 O, Y
△ Q10	VK432900	TR	2SD1915F S, T
Q11	VR325600	TR	2SC2229 O, Y
△ Q12	VK432900	TR	2SD1915F S, T
Q13	VR325600	TR	2SC2229 O, Y
Q15	VR325600	TR	2SC2229 O, Y
△ Q16A	iX630850	TR	2SA1695 O, P, Y
△ Q16C	iX630860	TR	2SC4468 O, P, Y
△ Q18A	iX630850	TR	2SA1695 O, P, Y
△ Q18C	iX630860	TR	2SC4468 O, P, Y
△ Q20A	iX630850	TR	2SA1695 O, P, Y
△ Q20C	iX630860	TR	2SC4468 O, P, Y
△ Q22A	iX630850	TR	2SA1695 O, P, Y
△ Q22C	iX630860	TR	2SC4468 O, P, Y
△ Q24A	iX630850	TR	2SA1695 O, P, Y
△ Q24C	iX630860	TR	2SC4468 O, P, Y
△ Q26A	iX630850	TR	2SA1695 O, P, Y
△ Q26C	iX630860	TR	2SC4468 O, P, Y
Q28-29	WC398400	TR	2N5551C-AT
Q30-33	WC398400	TR	2N5551C-AT
Q34	WC397700	TR	2N5401C-AT
Q35	iC181510	TR	2SC1815 Y
△ Q120	iA101510	TR	2SA1015 Y
Q121	VP872700	TR	2SC4488 S, T
△ Q123-127	VP872700	TR	2SC4488 S, T
Q251	iC181510	TR	2SC1815 Y
△ Q252	VC614000	TR	2SB1274 Q, R, S
Q253	VP872600	TR	2SA1708 S, T
Q254	iC181510	TR	2SC1815 Y
△ Q256-261	V4096100	TR	2SC4614 S, T

\* New Parts

**P.C.B. MAIN**

Ref. No.	Part No.	Description	Markets
△ Q262-267	V4096000	TR	2SA1770 S,T
R9	HV754100	R. CAR. FP	10Ω 1/4W
R10	HL006270	R. MTL. OXD	2.7KΩ 1/2W
R11	HL005470	R. MTL. OXD	470Ω 1/2W
R12	HL005820	R. MTL. OXD	820Ω 1/2W
R13	HV755100	R. CAR. FP	100Ω 1/4W
R14	HL006270	R. MTL. OXD	2.7KΩ 1/2W
R15	HL005470	R. MTL. OXD	470Ω 1/2W
R16	HL005820	R. MTL. OXD	820Ω 1/2W
R17	HV755100	R. CAR. FP	100Ω 1/4W
R18	HL006270	R. MTL. OXD	2.7KΩ 1/2W
R19	HL005470	R. MTL. OXD	470Ω 1/2W
R20	HL005820	R. MTL. OXD	820Ω 1/2W
R21	HL006270	R. MTL. OXD	2.7KΩ 1/2W
R22	HL005470	R. MTL. OXD	470Ω 1/2W
R23	HL005820	R. MTL. OXD	820Ω 1/2W
R24	HV755100	R. CAR. FP	100Ω 1/4W
R25	HL006270	R. MTL. OXD	2.7KΩ 1/2W
R26	HL005470	R. MTL. OXD	470Ω 1/2W
R27	HL005820	R. MTL. OXD	820Ω 1/2W
R28	HV755100	R. CAR. FP	100Ω 1/4W
R29	HL006270	R. MTL. OXD	2.7KΩ 1/2W
R30	HL005470	R. MTL. OXD	470Ω 1/2W
R31	HL005820	R. MTL. OXD	820Ω 1/2W
R32	HV755100	R. CAR. FP	100Ω 1/4W
R34-39	HL006100	R. MTL. OXD	1KΩ 1/2W
R40	HV755100	R. CAR. FP	100Ω 1/4W
R41	V8072100	R. MTL. OXD	5.6KΩ 1W
△ R45-46	V3873200	R. CEMENT	0.22Ω 3W
△ R47-49	WB279900	R. CEMENT	RGC55C 0.22+0.22
△ R50	V3873200	R. CEMENT	0.22Ω 3W
△ R71-76	V8070300	R. MTL. FLM	10Ω 1W
△ R108	HV753100	R. CAR. FP	1Ω 1/4W
R118	HV755180	R. CAR. FP	180Ω 1/4W
R123-124	HV755180	R. CAR. FP	180Ω 1/4W
△ R125	HV755100	R. CAR. FP	100Ω 1/4W
△ R126	HV756100	R. CAR. FP	1KΩ 1/4W
R131	HV755180	R. CAR. FP	180Ω 1/4W
R136	HV755180	R. CAR. FP	180Ω 1/4W
R139	HV755180	R. CAR. FP	180Ω 1/4W
R168-169	HV753470	R. CAR. FP	4.7Ω 1/4W
△ R170-171	HV753100	R. CAR. FP	1Ω 1/4W
R172-173	HV753470	R. CAR. FP	4.7Ω 1/4W
R210	V8072000	R. MTL. OXD	4.7KΩ 1W
R251	HV756470	R. CAR. FP	4.7KΩ 1/4W
R256	HV756100	R. CAR. FP	1KΩ 1/4W
R264-265	HV754100	R. CAR. FP	10Ω 1/4W
△ R266-277	HV753470	R. CAR. FP	4.7Ω 1/4W

\* New Parts

**P.C.B. MAIN & P.C.B. POWER**

Ref. No.	Part No.	Description	Markets
R278-283	HV755100	R. CAR. FP	100Ω 1/4W
R284	VP939700	R. MTL. FLM	4.7Ω 1W
R291-292	HV753470	R. CAR. FP	4.7Ω 1/4W
R293	VP939700	R. MTL. FLM	4.7Ω 1W
△ R294-299	HV755100	R. CAR. FP	100Ω 1/4W
RY121-122	V5966300	RELAY	DS24D2-0S(M)
RY123	V5178900	RELAY	DC D024D1-0S(M)
RY124-125	V5966300	RELAY	DS24D2-0S(M)
RY126	WE648700	RELAY	DC DH24D2-0-Q
ST121	V4040500	SCR. TERM	M3
TE120-121	WD477500	TERM. SP	LTS0810-1015FM
	WE774200	SCR. BND. HD	3x10 MFZN2W3
	WE588800	P. C. B.	POWER
CB351	VM923600	CN. BS. PIN	13P
CB352	VK026700	CN. BS. PIN	8P
CB353	VB858300	CN. BS. PIN	4P
CB354	LB919070	CN. BS. PIN	7P
CB355	LB918030	CN. BS. PIN	3P
CB359	VK026700	CN. BS. PIN	8P
C301	UR237100	C. EL	10uF 16V
C302	UR837100	C. EL	10uF 16V
C303-304	UR237100	C. EL	10uF 16V
C305	UR837100	C. EL	10uF 16V
C306	UA652100	C. MYLAR	100pF 50V J
C307	UA652220	C. MYLAR	220pF 50V J
C308	UA652100	C. MYLAR	100pF 50V J
C309	UA652220	C. MYLAR	220pF 50V J
C310	UA652100	C. MYLAR	100pF 50V J
C311	UA652220	C. MYLAR	220pF 50V J
C312	UA652100	C. MYLAR	100pF 50V J
C313	UA652220	C. MYLAR	220pF 50V J
C314	UA652100	C. MYLAR	100pF 50V J
C315	UA652220	C. MYLAR	220pF 50V J
C316-320	UA653330	C. MYLAR	3300pF 50V J
C321-322	UR268100	C. EL	100uF 50V
C323-324	UR837470	C. EL	47uF 16V
C325	UR268100	C. EL	100uF 50V
C326	WG211700	C. CE	22pF 500V
C327-328	FU451220	C. MICA	22pF 500V
C329	WG211700	C. CE	22pF 500V
C330	FU451220	C. MICA	22pF 500V
C331	VJ599100	C. CE. TUBLR	0.1uF 50V
C332-333	UR266100	C. EL	1uF 50V
C334	VR325400	C. MYLAR	0.1uF 100V
C337	UR837100	C. EL	10uF 16V

\* New Parts

**P.C.B. POWER & P.C.B. SUBTRANS**

**P.C.B. SUBTRANS**

Ref. No.	Part No.	Description	Markets
C340	UA652100	C. MYLAR 100pF 50V J	*
C341	UA652220	C. MYLAR 220pF 50V J	*
C342-343	UR266100	C. EL 1uF 50V	
C346	UA653330	C. MYLAR 3300pF 50V J	⚠
C347	UR837470	C. EL 47uF 16V	
* C349	WG211700	C. CE 22pF 500V	
C350	UR238100	C. EL 100uF 16V	
C353	UR23A100	C. EL 0.01F 16V	
C357-359	UR23A100	C. EL 0.01F 16V	
C360	UR249680	C. EL 6800uF 25V	
* C361	UR249220	C. EL 2200uF 25V	
C365-366	VR325200	C. MYLAR 0.022uF 100V	
C367-368	VR325400	C. MYLAR 0.1uF 100V	
C370	UA652220	C. MYLAR 220pF 50V J	
C371	UR238100	C. EL 100uF 16V	
D301-302	VD631600	DIODE 1SS133, 176	
⚠ D312	WA653100	DIODE. BRG KBP103G 1.0A 200V	
⚠ D313	VN011300	DIODE. BRG D3SBA20 4A 200V	
IC301	X0515A00	IC LM61CIZ THERMAL	
⚠ IC302	XJ608A00	IC NJM7812FA	
⚠ IC303	XD343A00	IC NJM79M12FA	
⚠ IC304	XJ607A00	IC NJM7805FA 5V	
⚠ IC305	XE436A00	IC NJM79M05FA	
⚠ IC306	X6248A00	IC NJM2388F33	
PN2-3	V9637500	PIN L=70 #18	
PN301-305	V9637500	PIN L=70 #18	
Q301-310	VP883100	TR 2SC1890A D,E	
Q311-315	V3966800	TR 2SA949 O,Y	
Q323	VP883100	TR 2SC1890A D,E	
Q325	VP883100	TR 2SC1890A D,E	
Q327	V3966800	TR 2SA949 O,Y	
R306-307	HF356100	R. CAR 1KΩ 1/2W	
R310	HF356100	R. CAR 1KΩ 1/2W	
R331-332	HF355330	R. CAR 330Ω 1/2W	
R335	HF355330	R. CAR 330Ω 1/2W	
R336-337	HF356120	R. CAR 1.2KΩ 1/2W	
R340	HF356120	R. CAR 1.2KΩ 1/2W	
R342-343	HF357330	R. CAR 33KΩ 1/2W	
R345	HF357330	R. CAR 33KΩ 1/2W	
R346-350	HV755100	R. CAR. FP 100Ω 1/4W	
R353-355	HF355470	R. CAR 470Ω 1/2W	
R386	HV755100	R. CAR. FP 100Ω 1/4W	
R462	HF353220	R. CAR 2.2Ω 1/2W	

\* New Parts

Ref. No.	Part No.	Description	Markets
	WG225000	P. C. B. SUBTRANS	B
	WG225100	P. C. B. SUBTRANS	G
CB401	V7827300	SOCKET 6P TE TUC SERIES	
⚠ CB402	VG879900	CN. BS. PIN 2P	
⚠ CB403-404	WC050700	CLIP. FUSE EYF-52BCY	G
CB405-406	WC050700	CLIP. FUSE EYF-52BCY	
⚠ CB407	VG879900	CN. BS. PIN 2P	
CB441	V7826600	CN 16P TE TUC SERIES	
CB442	V7828300	SOCKET 16P TE TUC SERIES	
CB451	VM929900	CN. BS. PIN 15P	
CB452	VF982300	CN. BS. PIN 17P	
CB453	VB858500	CN. BS. PIN 6P	
CB454	VQ044500	CN. BS. PIN 11P	
CB456	VQ045100	CN. BS. PIN 21P	
CB457	V7826800	CN 18P TE TUC SERIES	
CB458	VQ044400	CN. BS. PIN 9P	
CB460	V7827000	CN 20P TE TUC SERIES	
CB461	V7825800	CN 8P TE TUC SERIES	
CB462	V7826100	CN 11P TE TUC SERIES	
CB463	V7825900	CN 9P TE TUC SERIES	
CB601	V7827800	SOCKET 11P SE TUC SERIES	
CB701	V7827600	SOCKET 9P SE TUC SERIES	
CB751	V7828300	SOCKET 16P TE TUC SERIES	
CB901	V7827500	SOCKET 8P SE TUC SERIES	
C402-403	UR866220	C. EL 2.2uF 50V	
C404	UA654100	C. MYLAR 0.01uF 50V J	
C405	WC041600	C. PP 0.022uF 630V	
C406	UR866100	C. EL 1uF 50V	
C407	UA653470	C. MYLAR 4700pF 50V J	
C408	UA653100	C. MYLAR 1000pF 50V J	
C409	WD257600	C. PP 0.047uF 800V	
* C410	V6185300	C. CE. SAFTY 0.01uF 275V	
⚠ C411	UU239330	C. EL 3300uF 16V	
* C412	WE102900	C. PP 0.01uF 100V	
C451-452	UR237100	C. EL 10uF 16V	
C453	UR218220	C. EL 220uF 6.3V	
C454	WB165500	C. EL 0.33F 5.5V	
C455	UR218220	C. EL 220uF 6.3V	
C456	UR818100	C. EL 100uF 6.3V	
C457	US135100	C. CE. CHP 0.1uF 16V	
C458	UR837330	C. EL 33uF 16V	
C459-463	US135100	C. CE. CHP 0.1uF 16V	
C464	UR866220	C. EL 2.2uF 50V	
C466-468	UR866220	C. EL 2.2uF 50V	
C469	US064100	C. CE. CHP 0.01uF 50V B	
C470	US062100	C. CE. CHP 100pF 50V B	
C471	US063100	C. CE. CHP 1000pF 50V B	
C472-474	US062100	C. CE. CHP 100pF 50V B	

\* New Parts

**P.C.B. SUBTRANS**

Ref. No.	Part No.	Description	Markets
C475-477	UR037470	C. EL 47uF 16V	
C478	US135100	C. CE. CHP 0.1uF 16V	
C479-480	US062330	C. CE. CHP 330pF 50V B	
C481-482	UR037470	C. EL 47uF 16V	
C483	US062560	C. CE. CHP 560pF 50V B	
C484	US061270	C. CE. CHP 27pF 50V B	
C485	US135100	C. CE. CHP 0.1uF 16V	
C486	US061270	C. CE. CHP 27pF 50V B	
C487	UR037470	C. EL 47uF 16V	
C488	UR068100	C. EL 100uF 50V	
C489-498	US063100	C. CE. CHP 1000pF 50V B	
C601-602	US062100	C. CE. CHP 100pF 50V B	
C603-605	UR837100	C. EL 10uF 16V	
C606-607	US062100	C. CE. CHP 100pF 50V B	
C608-610	UR837100	C. EL 10uF 16V	
C611	US135100	C. CE. CHP 0.1uF 16V	
C612	UR829100	C. EL 1000uF 10V	
C613	US135100	C. CE. CHP 0.1uF 16V	
C614	UR829100	C. EL 1000uF 10V	
C615-618	US135100	C. CE. CHP 0.1uF 16V	
C619	UR238470	C. EL 470uF 16V	
C701-703	US060800	C. CE. CHP 8pF 50V B	
C704-706	UR837100	C. EL 10uF 16V	
C707-708	US135100	C. CE. CHP 0.1uF 16V	
C709-710	UR038100	C. EL 100uF 16V	
C751-753	US064100	C. CE. CHP 0.01uF 50V B	
C756	UA654100	C. MYLAR 0.01uF 50V J	
C757-762	UA652220	C. MYLAR 220pF 50V J	
C763-764	FG651470	C. CE 47pF 50V	
C765-766	UR837100	C. EL 10uF 16V	
C771	US064100	C. CE. CHP 0.01uF 50V B	
C901-902	US062100	C. CE. CHP 100pF 50V B	
C903-905	UR837100	C. EL 10uF 16V	
C906-907	UR829100	C. EL 1000uF 10V	
C908	US135100	C. CE. CHP 0.1uF 16V	
C910	UR238470	C. EL 470uF 16V	
C911	UR837100	C. EL 10uF 16V	
D401-402	VT332900	DIODE 1SS355	
D403	VU990500	DIODE. ZENR MA8030-L 2.9V	
D404	VU993800	DIODE. ZENR MA8068-M 6.8V	
D405	VU995400	DIODE. ZENR MA8100-M 10V	
D406	VT332900	DIODE 1SS355	
D407	VU995000	DIODE. ZENR MA8091-M 9.1V	
D408	V4756800	DIODE S1NB60 1.0A 600V	
D409	VT332900	DIODE 1SS355	
D410	VR253700	DIODE. BRG S1NB20 1A 200V	
D411	VT332900	DIODE 1SS355	
D451-454	VT332900	DIODE 1SS355	

\* New Parts

**P.C.B. SUBTRANS**

Ref. No.	Part No.	Description	Markets
D455-458	VU992600	DIODE. ZENR MA8051-M 5.1V	
D459	VU993000	DIODE. ZENR MA8056-M 5.6V	
F1	KB000790	FUSE T4A 250V	
F2	VT942900	FUSE T2.5A 250V	G
IC401	V8100500	PHOT. CPL TLP421 GR	
IC402	iG001180	IC TC4013BP FF	
IC403	V8100500	PHOT. CPL TLP421 GR	
IC451	X7262A00	IC CPU M30626FHFP CPU	written
IC452	X5041A00	IC NJU7201L55 5.5V	
IC453	X0082A00	IC LC72722PM	
IC601-602	XH436A00	IC LA7956	
IC701	XY879A00	IC TC74HC4053AF(EL)	
IC702	X2904A00	IC NJM2581M VIDEO AMP	
IC901	XH436A00	IC LA7956	
JK601	VS867300	CN. DIN 4P YKF51-5501	
JK602-603	V9273500	CN. DIN 2P YKF51-5605	
PJ701	V8143900	JACK PIN 9P SHIELD YKC21	
PJ751-752	V7046700	JACK. PIN 4P MSP-244V1-01N1	
PJ753	V7189700	JACK. PIN 1P	
PJ901-902	V7190000	JACK. PIN 2P	
PJ903	V7189800	JACK. PIN 1P	
PN401	V9637500	PIN L=70 #18	
PN451	V9637500	PIN L=70 #18	
Q401	iC181510	TR 2SC1815 Y	
Q402	VV655700	TR. DGT DTC144EKA	
Q403	iC181510	TR 2SC1815 Y	
Q404	WC741200	FET 2SK3850	
Q451	VP872600	TR 2SA1708 S, T	
Q452	VV655700	TR. DGT DTC144EKA	
Q453	VV556500	TR 2SA1037K Q, R, S	
Q455-457	VV556500	TR 2SA1037K Q, R, S	
Q458	iC181510	TR 2SC1815 Y	
Q459	iC174020	TR 2SC1740S QRS	
Q602-603	iC174020	TR 2SC1740S QRS	
Q605-608	iC174020	TR 2SC1740S QRS	
Q701	VV556400	TR 2SC2412K Q, R, S	
Q901	iC174020	TR 2SC1740S QRS	
Q903-904	iC174020	TR 2SC1740S QRS	
R419	HF356220	R. CAR 2.2KΩ 1/2W	
R460		R. CHP 27KΩ 1/16W J	B
R460		R. CHP 47KΩ 1/16W J	G
R516	HV753220	R. CAR. FP 2.2Ω 1/4W	
R618	HV755470	R. CAR. FP 470Ω 1/4W	
R619	HV755270	R. CAR. FP 270Ω 1/4W	
R629	HV753470	R. CAR. FP 4.7Ω 1/4W	
R716-717	HV753100	R. CAR. FP 1Ω 1/4W	
R908	HV755270	R. CAR. FP 270Ω 1/4W	
R916	HV754100	R. CAR. FP 10Ω 1/4W	

\* New Parts

RX-V100D

**P.C.B. SUBTRANS & P.C.B. DAB**

**Chip Resistors**

**Parts List for Carbon Resistors**

Ref. No.	Part No.	Description	Markets
RY401	WE513800	RELAY	DC HRM3H-DC12V
ST401-402	V4040500	SCR. TERM	M3
ST451	V4040500	SCR. TERM	M3
* T401	XW608A00	TRANS. PWR	
TE401	VU543300	OUTLET. AC	1P
TE401	VU543400	OUTLET. AC	2P
XL451	WA674700	RSNR. CE	16MHz CSTLS16MOX51
XL452	V3930900	RSNR. CRYST	4.332MHz
* WG225400	P. C. B.	DAB	
CB4	VB858200	CN. BS. PIN	3P
CB5	VQ044500	CN. BS. PIN	11P
CB6	LB919030	CN. BS. PIN	3P
* CB10	WG222400	CN. BS. PIN	9224 44P TE
C1	UU297220	C. EL	22uF 100V
C2	US145100	C. CE. CHP	0.1uF 25V
C3	UU297220	C. EL	22uF 100V
C4	US135330	C. CE. CHP	0.33uF 16V
C5	UR049680	C. EL	6800uF 25V
C7	VR324900	C. MYLAR	0.1uF 100V
C8	UR237470	C. EL	47uF 16V
C9	UR237470	C. EL	47uF 16V
C10-11	US135100	C. CE. CHP	0.1uF 16V
C14-15	US062220	C. CE. CHP	220pF 50V B
D5	WA653100	DIODE. BRG	KBP103G 1.0A 200V
IC1	XJ607A00	IC	NJM7805FA 5V
IC3	X4358A00	IC	PQ03RD23
Q1	WB520400	FET. CHP	2SK2823
Q2	WB520400	FET. CHP	2SK2823
TH1	VV456900	SW. POLY	RXEF185 1.85A 72V
* WG158700	SUPPORT		
WE774200	SCR. BND. HD	3x10	MFZN2W3

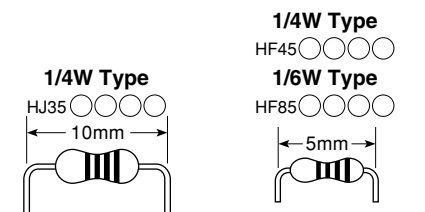
\* New Parts

● The chip resistor is not supplied as a replacement part.  
 \* When a chip resistor is necessary, use the following part.  
 AAX60720: CHIP RESISTOR SAMPLE BOOK

Ref. No.	Part No.	Description	Markets
		R. CHP	0Ω 1/16W J
		R. CHP	2.2Ω 1/16W J
		R. CHP	10Ω 1/16W J
		R. CHP	22Ω 1/16W J
		R. CHP	47Ω 1/16W J
		R. CHP	75Ω 1/16W J
		R. CHP	82Ω 1/16W J
		R. CHP	100Ω 1/16W J
		R. CHP	220Ω 1/16W J
		R. CHP	270Ω 1/16W J
		R. CHP	330Ω 1/16W J
		R. CHP	470Ω 1/16W J
		R. CHP	680Ω 1/16W J
		R. CHP	1KΩ 1/16W J
		R. CHP	1.5KΩ 1/16W J
		R. CHP	2.2KΩ 1/16W J
		R. CHP	3.3KΩ 1/16W J
		R. CHP	3.9KΩ 1/16W J
		R. CHP	4.7KΩ 1/16W J
		R. CHP	5.6KΩ 1/16W J
		R. CHP	6.8KΩ 1/16W J
		R. CHP	10KΩ 1/16W J
		R. CHP	13KΩ 1/16W J
		R. CHP	15KΩ 1/16W J
		R. CHP	18KΩ 1/16W J
		R. CHP	22KΩ 1/16W J
		R. CHP	27KΩ 1/16W J
		R. CHP	33KΩ 1/16W J
		R. CHP	47KΩ 1/16W J
		R. CHP	100KΩ 1/16W J
		R. CHP	150KΩ 1/16W J
		R. CHP	220KΩ 1/16W J
		R. CHP	1MΩ 1/16W J
		R. MTL. CHP	82Ω 1/16W D
		R. MTL. CHP	820Ω 1/16W D
		R. MTL. CHP	4.7KΩ 1/16W D
		R. MTL. CHP	5.6KΩ 1/16W D
		R. MTL. CHP	6.8KΩ 1/16W D
		R. MTL. CHP	20KΩ 1/16W D
		R. MTL. CHP	47KΩ 1/16W D

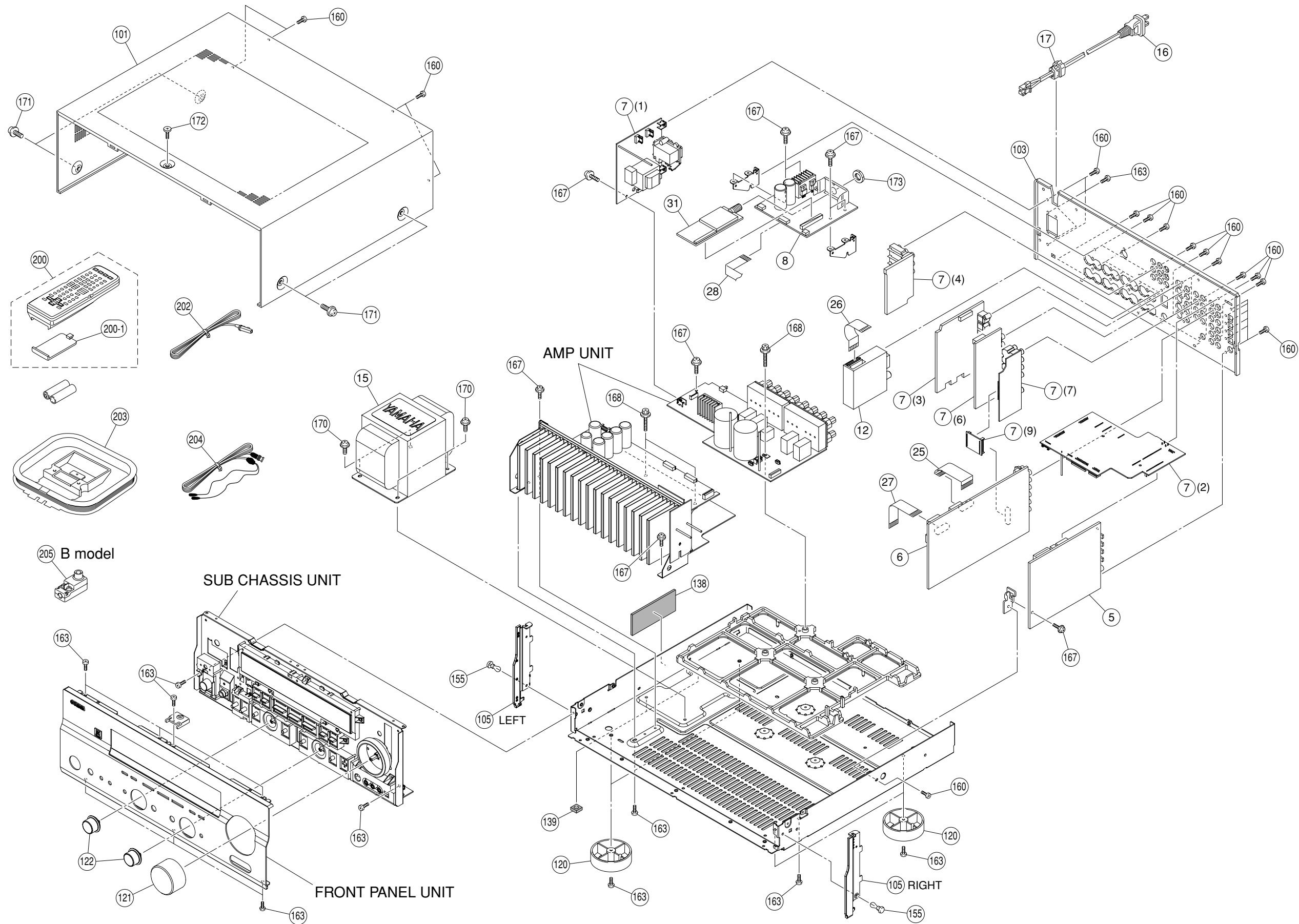
\* New Parts

Value	1/4W Type Part No.	1/6W Type Part No.	Value	1/4W Type Part No.	1/6W Type Part No.
1.0 Ω	HJ35 3100	HF85 3100	10 kΩ	HF45 7100	HF45 7100
1.8 Ω	HJ35 3180	*	11 kΩ	HF45 7110	HF45 7110
2.2 Ω	HJ35 3220	HF85 3220	12 kΩ	HJ35 7120	HF85 7120
3.3 Ω	HJ35 3330	HF85 3330	13 kΩ	HF45 7130	HF45 7130
4.7 Ω	HJ35 3470	HF85 3470	15 kΩ	HF45 7150	HF45 7150
5.6 Ω	HJ35 3560	HF85 3560	18 kΩ	HF45 7180	HF45 7180
10 Ω	HF45 4100	HF45 4100	22 kΩ	HF45 7220	HF45 7220
15 Ω	HJ35 4150	HF85 4150	24 kΩ	HF45 7240	HF45 7240
22 Ω	HF45 4220	HF45 4220	27 kΩ	HJ35 7270	HF85 7270
27 Ω	HJ35 4270	HF85 4270	30 kΩ	HF45 7300	HF45 7300
33 Ω	HF45 4330	HF45 4330	33 kΩ	HF45 7330	HF45 7330
39 Ω	HJ35 4470	HF85 4390	36 kΩ	HF45 7360	HF45 7360
47 Ω	HF45 4470	HF45 4470	39 kΩ	HF45 7390	HF45 7390
56 Ω	HF45 4560	HF45 4560	47 kΩ	HF45 7470	HF45 7470
68 Ω	HF45 4680	HF45 4680	51 kΩ	HF45 7510	HF45 7510
75 Ω	HF45 4750	HF45 4750	56 kΩ	HF45 7560	HF45 7560
82 Ω	HF45 4820	HF45 4820	62 kΩ	HF45 7620	HF45 7620
91 Ω	HF45 4910	HF45 4910	68 kΩ	HF45 7680	HF45 7680
100 Ω	HF45 5100	HF45 5100	82 kΩ	HF45 7820	HF45 7820
110 Ω	HJ35 5110	HF85 5110	91 kΩ	HF45 7910	HF45 7910
120 Ω	HF45 5120	HF45 5120	100 kΩ	HF45 8100	HF45 8100
150 Ω	HF45 5150	HF45 5150	110 kΩ	HF45 8110	HF45 8110
160 Ω	HJ35 5160	*	120 kΩ	HF45 8120	HF45 8120
180 Ω	HF45 5180	HF45 5180	150 kΩ	HF45 8150	HF45 8150
200 Ω	HF45 5200	HF45 5200	180 kΩ	HF45 8180	HF45 8180
220 Ω	HF45 5220	HF45 5220	220 kΩ	HJ35 8220	HF85 8220
270 Ω	HF45 5270	HF45 5270	270 kΩ	HF45 8270	HF45 8270
330 Ω	HF45 5330	HF45 5330	300 kΩ	HF45 8300	HF45 8300
390 Ω	HF45 5390	HF45 5390	330 kΩ	HF45 8330	HF45 8330
430 Ω	HF45 5430	HF45 5430	390 kΩ	HJ35 8390	HF85 8390
470 Ω	HF45 5470	HF45 5470	470 kΩ	HF45 8470	HF45 8470
510 Ω	HF45 5510	HF45 5510	560 kΩ	HJ35 8560	HF85 8560
560 Ω	HF45 5560	HF45 5560	680 kΩ	HJ35 8680	HF85 8680
680 Ω	HF45 5680	HF45 5680	820 kΩ	HJ35 8820	HF85 8820
820 Ω	HF45 5820	HF45 5820	1.0 MΩ	HF45 9100	HF45 9100
910 Ω	HF45 5910	HF45 5910	1.2 MΩ	HJ35 9120	*
1.0 kΩ	HF45 6100	HF45 6100	1.5 MΩ	HJ35 9150	HF85 9150
1.2 kΩ	HF45 6120	HF45 6120	1.8 MΩ	HJ35 9180	HF85 9180
1.5 kΩ	HF45 6150	HF45 6150	2.2 MΩ	HJ35 9220	HF85 9220
1.8 kΩ	HF45 6180	HF45 6180	3.3 MΩ	HJ35 9330	HF85 9330
2.0 kΩ	HJ35 6200	HF85 6200	3.9 MΩ	HJ35 9390	*
2.2 kΩ	HF45 6220	HF45 6220	4.7 MΩ	HJ35 9470	HF85 9470
2.4 kΩ	HJ35 6240	HF85 6240			
2.7 kΩ	HF45 6270	HF45 6270			
3.0 kΩ	HF45 6300	HF45 6300			
3.3 kΩ	HF45 6330	HF45 6330			
3.6 kΩ	HJ35 6360	HF85 6360			
3.9 kΩ	HF45 6390	HF45 6390			
4.7 kΩ	HF45 6470	HF45 6470			
5.1 kΩ	HF45 6510	HF45 6510			
5.6 kΩ	HF45 6560	HF45 6560			
6.8 kΩ	HF45 6680	HF45 6680			
8.2 kΩ	HF45 6820	HF45 6820			
9.1 kΩ	HF45 6910	HF45 6910			



\* : Not available

EXPLODED VIEW

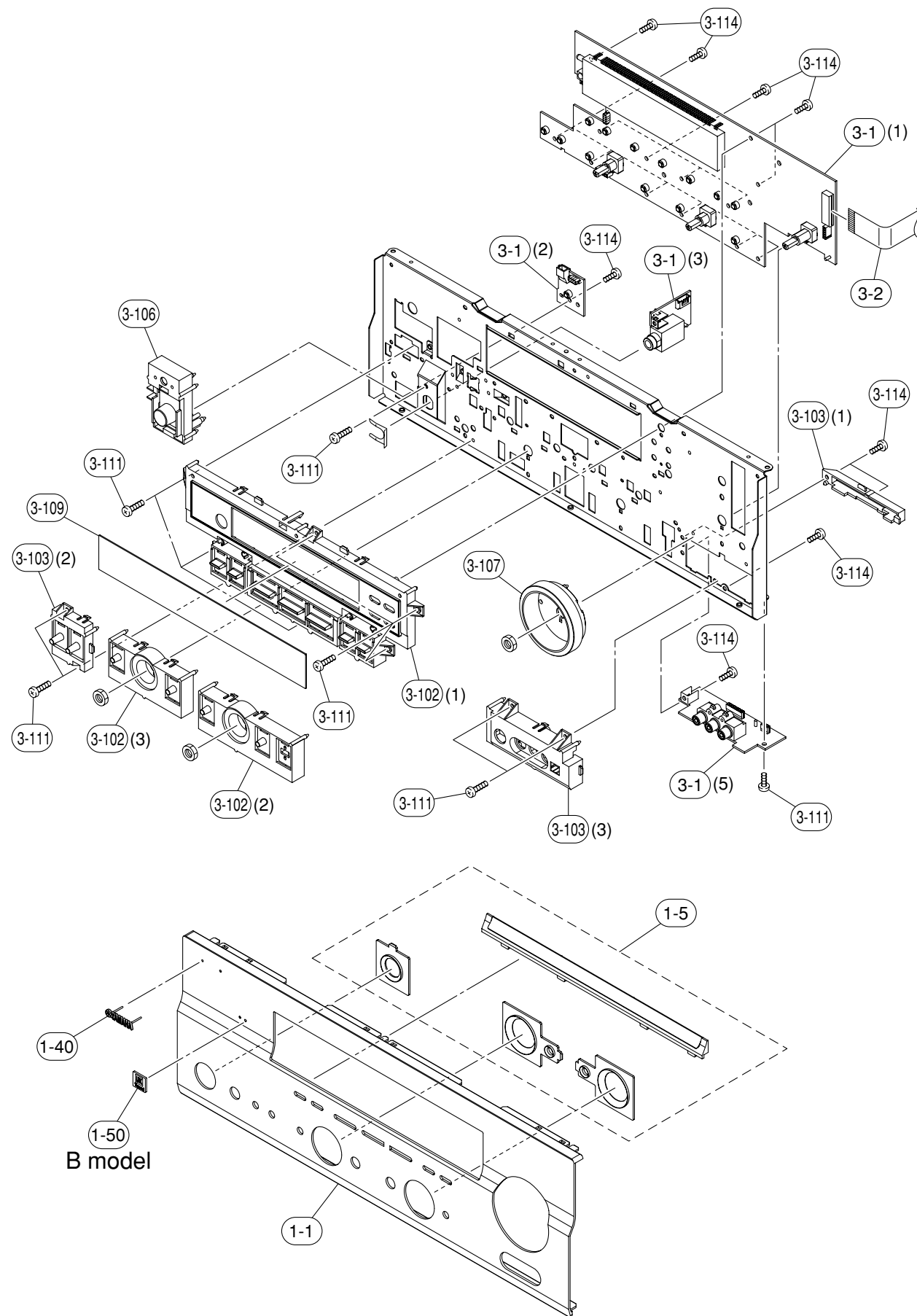


## MECHANICAL PARTS

Schm Ref.	PART NO.	Description	Remarks	Markets
*	5	WG225200 P.C.B. ASS'Y	DSP	
	6	WE593600 P.C.B. ASS'Y	FUNCTION	
*	7	WG225000 P.C.B. ASS'Y	SUBTRANS	B
*	7	WG225100 P.C.B. ASS'Y	SUBTRANS	G
*	8	WG225400 P.C.B. ASS'Y	DAB	
	12	WD048400 AM/FM TUNER	FAE485-E01F	
*	15	X6960A00 POWER TRANSFORMER		
	16	WF723100 POWER CABLE	2m	B
	16	V9293600 POWER CABLE	2m	G
	17	V2438700 CORD STOPPER	10P1	
	25	MF118070 FLEXIBLE FLAT CABLE	18P 70mm P=1.25	
	26	MF115070 FLEXIBLE FLAT CABLE	15P 70mm P=1.25	
	27	MF113070 FLEXIBLE FLAT CABLE	13P 70mm P=1.25	
	28	MF111250 FLEXIBLE FLAT CABLE	11P 250mm P=1.25	
*	31	WG543600 DAB MODULE	VENICE2.0-C-F	
	101	WE184500 TOP COVER		BL
	101	WE184700 TOP COVER		TI
*	103	WG212900 REAR PANEL		B
*	103	WG212800 REAR PANEL		G
	105	WE183000 PLATE SIDE		BL
	105	WE183200 PLATE SIDE		TI
	120	VS025000 LEG	D60xH21	
	121	WC494400 KNOB D48		BL
	121	WC494600 KNOB D48		TI
	122	WC494800 KNOB D20		BL
	122	WC495000 KNOB D20		TI
	138	V3198100 DAMPER	GUARD	
	139	WC879000 DAMPER		
	155	V0368600 PUSH RIVET	P3555-B	
	160	WE774100 BIND HEAD BONDING B-T. SCREW	3x8 MFZN2B3	
	163	WE774300 BIND HEAD B-TIGHT SCREW	3x8 MFZN2W3	
	167	VT669300 PW HEAD B-TIGHT SCREW	3x8-8 MFC2	
	168	WE774600 SCREW IC	3x18 MFZN2W3	
	170	WE774700 BIND HEAD S-TIGHT SCREW	4x10 MFZN2W3	
	171	VH313200 PW HEAD S-TIGHT SCREW	4x8-10 MFN13BL	BL
	171	VD069600 PW HEAD S-TIGHT SCREW	4x8-10 MFN133	TI
	172	WE200500 DISH HEAD B-TIGHT SCREW	3x6 MFN13BL	
	172	WE200400 DISH HEAD B-TIGHT SCREW	3x6 MFN133	
*	173	WG205000 NUT	3/8 UNEF-32	
		ACCESSORIES		
*	200	WF870300 REMOTE CONTROL	RAV306	
	200-1	AAX46580 BATTERY COVER	103RRC-244-01G	103RRC-244-01G
	202	VQ147100 INDOOR FM ANTENNA	1.4m 1pc	
	203	VR248500 AM LOOP ANTENNA	1.0m 1pc	
*	204	WG233200 INDOOR DAB ANTENNA	1.6m 1pc	
	205	VE364900 ANTENNA ADAPTER	PAL 75-300Ω 1pc	B
		BATTERY MANGANESE DRY	UM-3 2pcs	

\* New Parts

■ EXPLODED VIEW (FRONT PANEL UNIT & SUB CHASSIS UNIT)



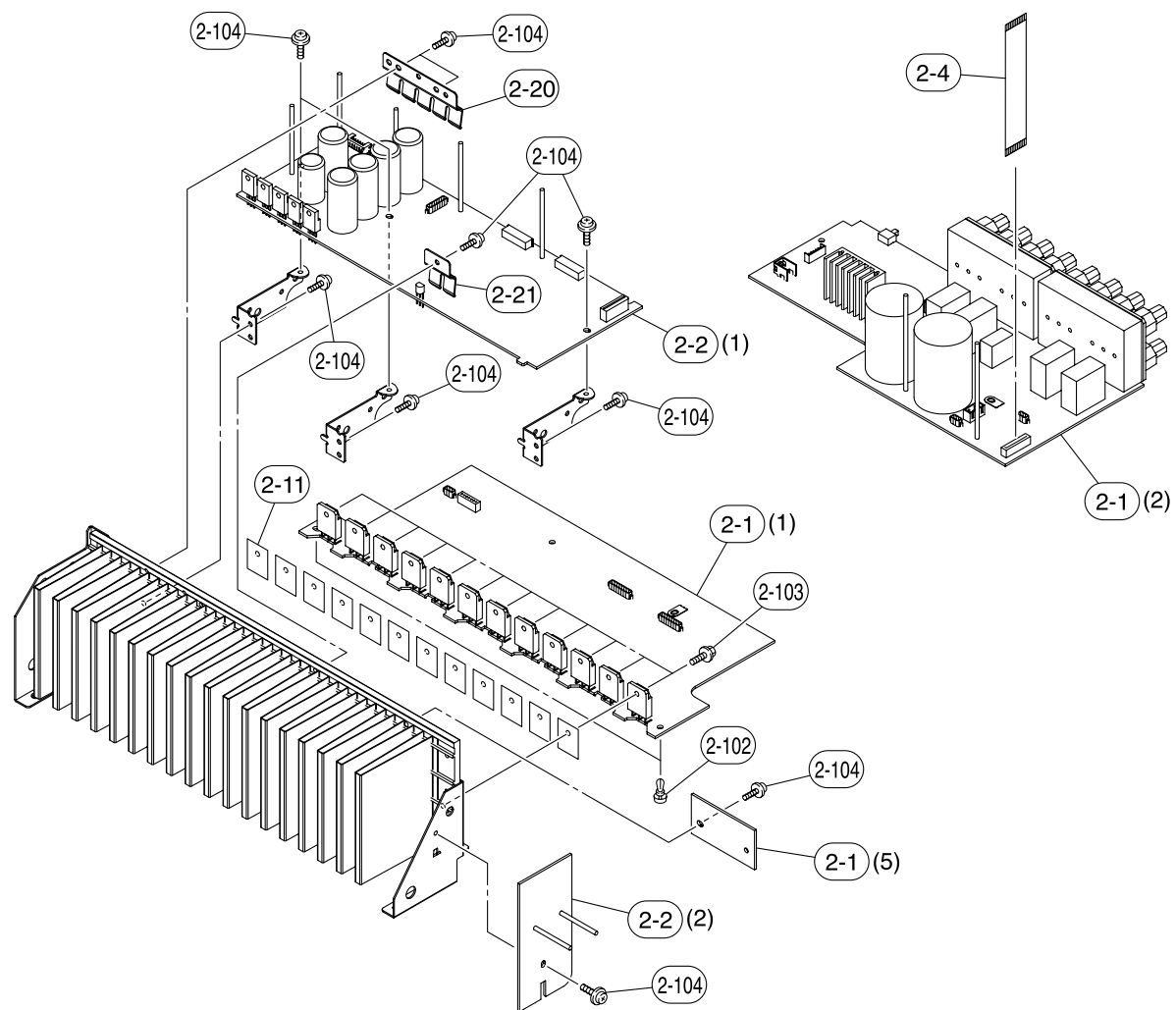
■ MECHANICAL PARTS (FRONT PANEL UNIT & SUB CHASSIS UNIT)

Schm Ref.	PART NO.	Description	Remarks	Markets
* 1-1	WF991100	FRONT PANEL	BL	B
* 1-1	WF991300	FRONT PANEL	BL	G
* 1-1	WF991400	FRONT PANEL	TI	B
* 1-1	WF991600	FRONT PANEL	TI	G
1-5	WF155800	ESCUTCHEON 657	BL	
1-5	WF156000	ESCUTCHEON 657	TI	
1-40	V6034100	EMBLEM	BL	
1-50	WE765700	BADGE		B
* 3-1	WG225500	P. C. B. ASS'Y	OPERATION	
3-2	MF121350	FLEXIBLE FLAT CABLE	21P 350mm P=1.25	
3-102	WC490800	BUTTONCASE 650	BL	
3-102	WC491000	BUTTONCASE 650	TI	
3-103	WE185600	BUTTON 650	BL	
3-103	WE185800	BUTTON 650	TI	
3-106	WF156100	BUTTON STANDBY	BL	
3-106	WF156300	BUTTON STANDBY	TI	
3-107	WC493100	ESCUTCHEON VOL	BL	
3-107	WC493300	ESCUTCHEON VOL	TI	
* 3-109	WG281700	SHEET WINDOW		B
* 3-109	WG468400	SHEET WINDOW		G
3-111	WE774300	BIND HEAD B-TIGHT SCREW	3x8 MFZN2W3	
3-114	WE774800	BIND HEAD P-TIGHT SCREW	3x8 MFZN2W3	

\* New Parts



1 ■ EXPLODED VIEW (AMP UNIT)



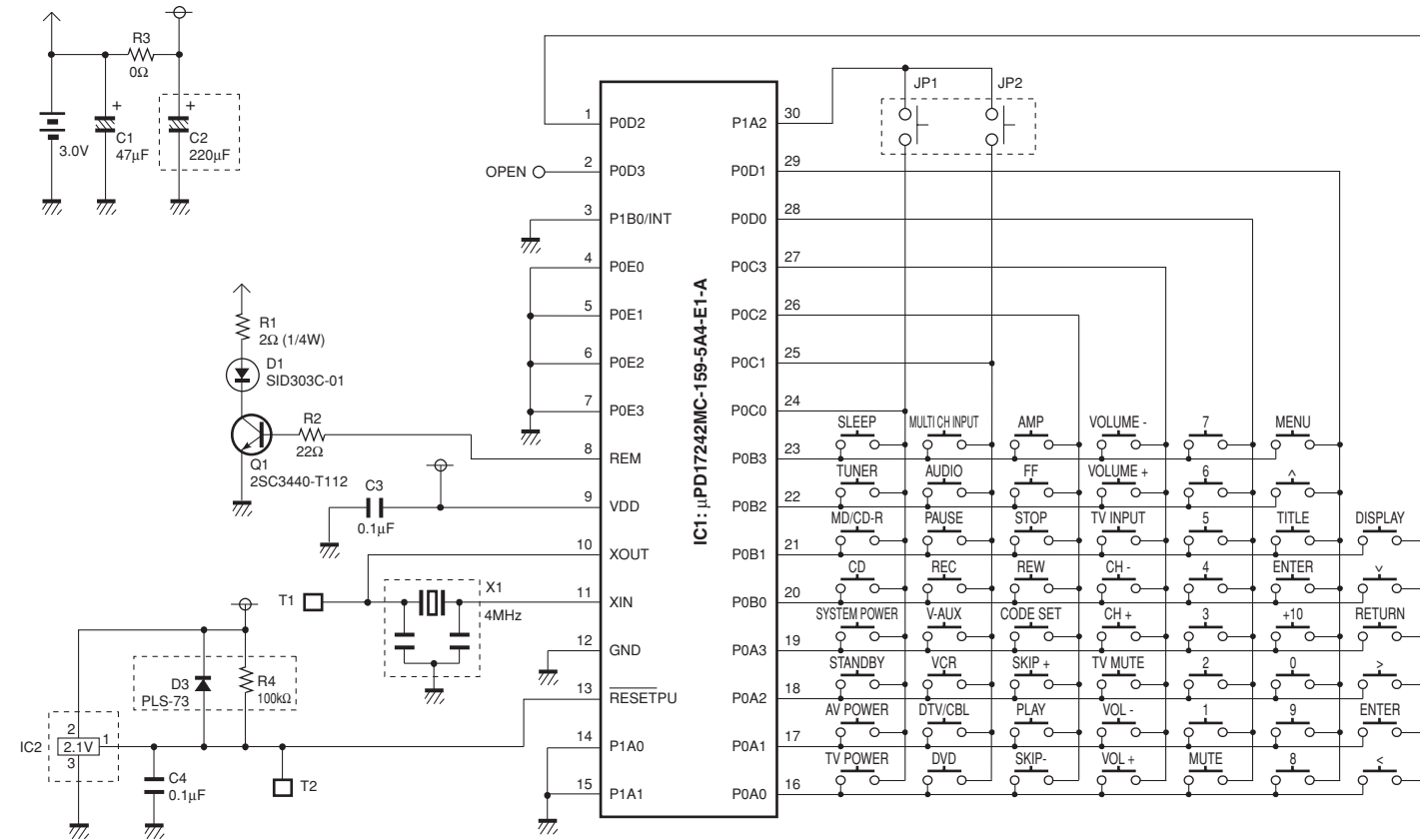
■ MECHANICAL PARTS (AMP UNIT)

Schm Ref.	PART NO.	Description	Remarks	Markets
2-1	WE588300	P.C.B. ASS'Y	MAIN	
2-2	WE588800	P.C.B. ASS'Y	POWER	
2-4	MF117140	FLEXIBLE FLAT CABLE	17P 140mm P=1.25	
2-11	VV849300	RADIATION SHEET	19x24	
2-20	WC656000	SUPPORT TR 5P		
2-21	V2673000	SUPPORT TR 2P		
2-102	VQ368600	PUSH RIVET	P3555-B	
2-103	VK173200	SCREW TRANSISTOR	3x15 SP MFC2	
2-104	VT669300	PW HEAD B-TIGHT SCREW	3x8-8 MFC2	

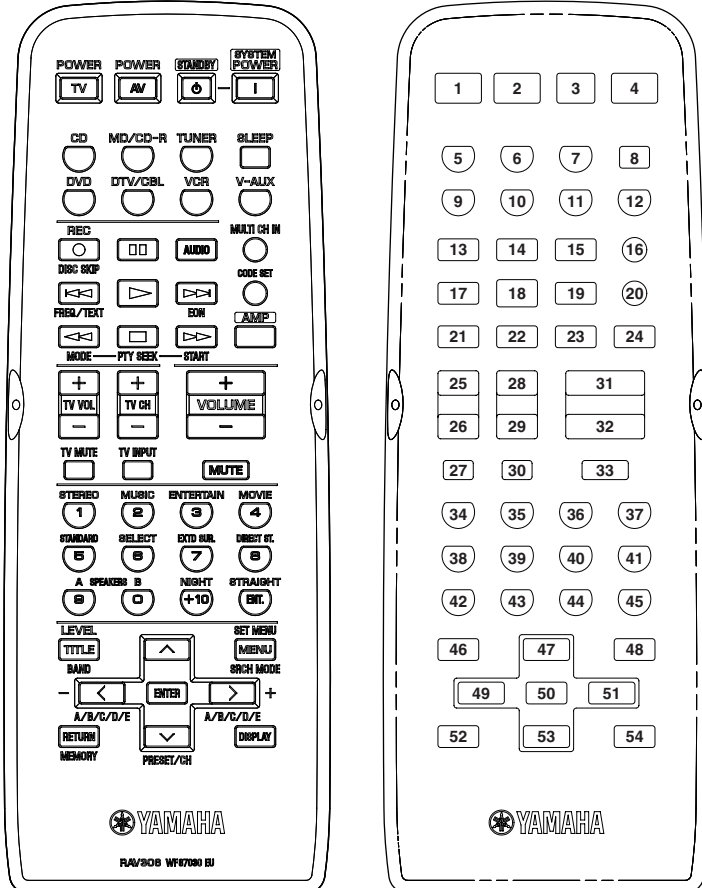
\* New Parts

# REMOTE CONTROL RAV306

## SCHEMATIC DIAGRAM



NOT MOUNTED



Key No.	Function	CODE								
		AMP	CD	MD	CD-R	TUNER	DVD (P)	DVD (Y)	DVD (M)	DVD-R (P)
1	TV POWER	-	-	-	-	-	-	-	-	-
2	AV POWER	-	-	-	7F-80	-	A5-AA	7C-80	3D-8D	A5-AA
3	STANDBY	7A-1E	-	-	-	-	-	-	-	-
4	SYSTEM POWER	7A-1D	-	-	-	-	-	-	-	-
5	CD	7A-15	-	-	-	-	-	-	-	-
6	MD/CD-R	7A-C9	-	-	-	-	-	-	-	-
7	TUNER	7A-16	-	-	-	-	-	-	-	-
8	SLEEP	7A-57	-	-	-	-	-	-	-	-
9	DVD	7A-C1	-	-	-	-	-	-	-	-
10	DTV/CBL	7A-54	-	-	-	-	-	-	-	-
11	VCR	7A-0F	-	-	-	-	-	-	-	-
12	V-AUX	7A-55	-	-	-	-	-	-	-	-
13	REC, DISC SKIP	-	7A-4F	79-AF	-	-	55-56	7C-8B	-	56-5A
14	PAUSE	-	7A-09	79-A9	7F-83	-	AA-5A	7C-83	06-B6	AA-5A
15	AUDIO	-	-	-	-	-	95-A6	7C-AD	33-83	95-A6
16	MULTI CH INPUT	7A-87	-	-	-	-	-	-	-	-
17	SKIP -	-	7A-0B	79-AB	7F-86	7A-A4	6A-9A	7CB9	49-F9	6A-9A
18	PLAY	-	7A-08	79-A8	7F-82	-	A5-9A	7C-82	0A-BA	A5-9A
19	SKIP +	-	7A-0A	79-AE	7F-87	7A-A5	AA-9A	7C-BA	4A-FA	AA-9A
20	CODE SET	-	-	-	-	-	-	-	-	-
21	REW (SEARCH -)	-	7A-0D	79-AC	7F-88	7A-A6	69-9A	7C-86	04-B4	69-9A
22	STOP	-	7A-09	79-AA	7F-84	-	6A-5A	7C-85	00-B0	6A-5A
23	FF (SEARCH +)	-	7A-0C	79-AD	7F-89	7A-A7	A9-9A	7C-87	05-B5	A9-9A
24	AMP	-	-	-	-	-	-	-	-	-
25	TV VOL +	-	-	-	-	-	-	-	-	-
26	TV VOL -	-	-	-	-	-	-	-	-	-
27	TV MUTE	-	-	-	-	-	-	-	-	-
28	TV CH +	-	-	-	-	-	-	-	-	-
29	TV CH -	-	-	-	-	-	-	-	-	-
30	TV INPUT	-	-	-	-	-	-	-	-	-
31	VOLUME +	7A-1A	-	-	-	-	-	-	-	-
32	VOLUME -	7A-1B	-	-	-	-	-	-	-	-
33	MUTE	7A-1C	-	-	-	-	-	-	-	-
34	1	7A-88	79-11	79-85	7F-91	7A-E5	6A-AA	7C-94	10-A0	6A-AA
35	2	7A-89	79-12	79-86	7F-92	7A-E6	9A-AA	7C-95	11-A1	9A-AA
36	3	7A-8A	79-13	79-87	7F-93	7A-E7	5A-AA	7C-96	12-A2	5A-AA
37	4	7A-8B	79-14	79-88	7F-94	7A-E8	A6-AA	7C-97	13-A3	A6-AA
38	5	7A-8D	79-15	79-89	7F-95	7A-E9	66-AA	7C-98	14-A4	66-AA
39	6	7A-96	79-16	79-8A	7F-96	7A-EA	96-AA	7C-99	15-A5	96-AA
40	7	7A-97	79-17	79-8B	7F-97	7A-EB	56-AA	7C-9A	16-A6	56-AA
41	8	7A-DD	79-18	79-8C	7F-98	7A-EC	A9-AA	7C-9B	17-A7	A9-AA
42	9	7A-9A	79-19	79-8D	7F-99	7A-B1	69-AA	7C-9C	18-A8	69-AA
43	0	7A-9B	79-10	79-8E	7F-90	7A-B2	AA-AA	7C-93	19-A9	AA-AA
44	+10	7A-95	79-1A	79-8F	7F-9A	-	A9-56	7C-9D	89-39	A9-56
45	ENTER	7A-56	79-0B	-	7F-8A	7A-B3	A9-A5	7C-9E	-	A9-A5
46	TITLE	7A-86	-	-	-	7A-AE	6A-56	7C-B1	9B-2B	6A-56
47	^	7A-98	-	-	-	7A-10	A9-66	7C-B4	85-35	A9-66
48	MENU	7A-9C	-	-	-	7A-AB	A6-66	7C-B2	80-30	A6-66
49	<	7A-53	-	-	-	7A-AC	99-66	7C-B5	87-37	99-66
50	ENTER	7A-DE	-	-	-	7A-AD	A5-66	7C-B8	82-32	A5-66
51	>	7A-52	-	-	-	7A-12	59-66	7C-B6	88-38	59-66
52	RETURN	7A-AA	-	-	-	7A-AF	5A-A9	7C-B7	81-31	5A-A9
53	v	7A-99	-	-	-	7A-11	69-66	7C-B3	86-36	69-66
54	DISPLAY	-	79-0A	79-A5	7F-9E	7A-B0	55-AA	7C-A6	92-22	55-AA